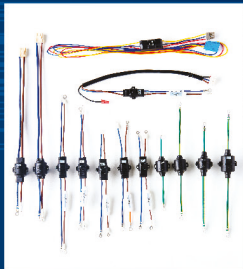
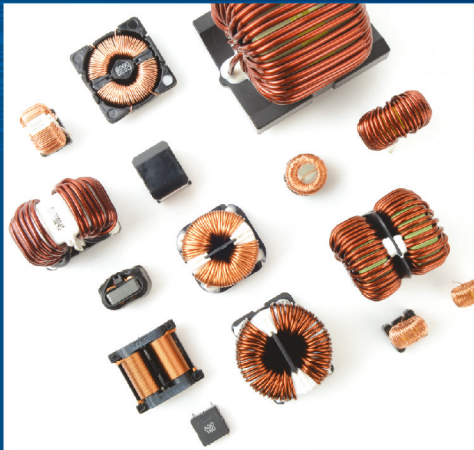
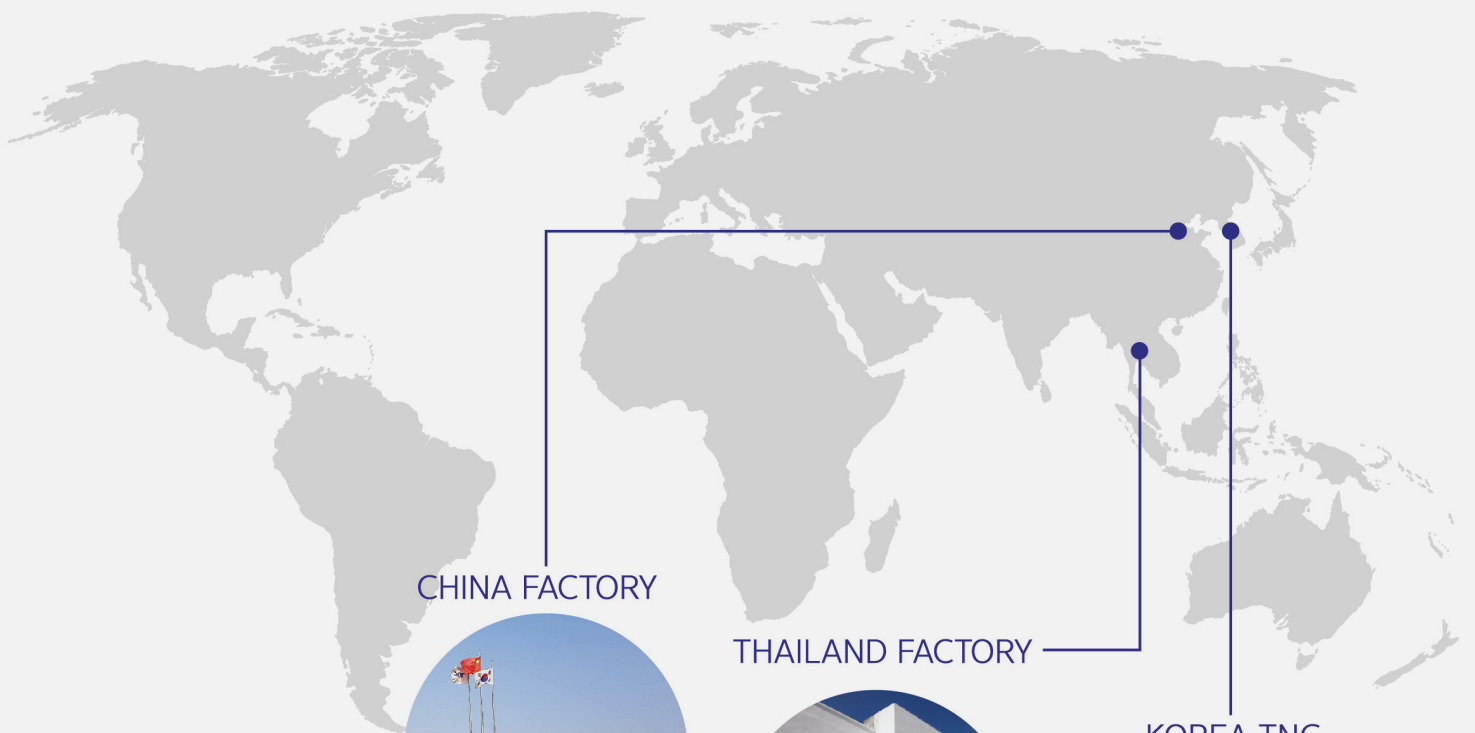


A Catalogue of Products



TNC



CHINA FACTORY



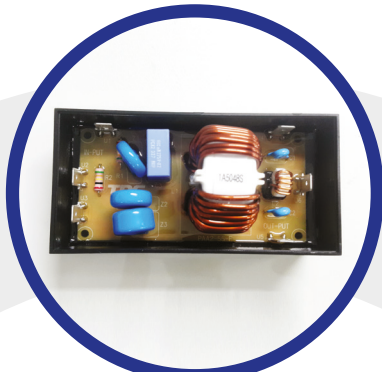
THAILAND FACTORY



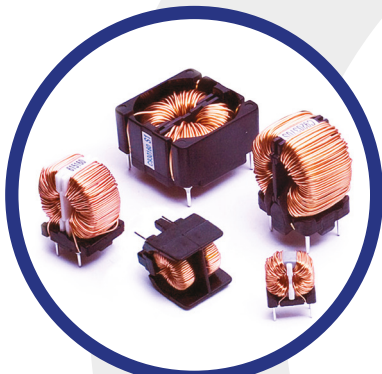
KOREA TNC



Expert in developing components to filter electromagnetic waves



PCB ASS'Y
AC 1A ~ 50A

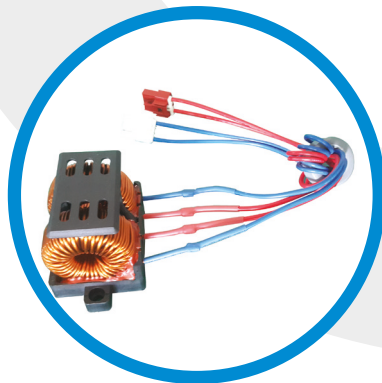


LINE FILTER
TOROIDAL 6φ ~ 100φ



AUTOMOTIVE
1A ~ 200A

TNC Co., Ltd.



REACTOR
AC/DC 1A ~ 100A



COIL A'SSY
AC/DC 1A ~ 30A

LINE FILTER

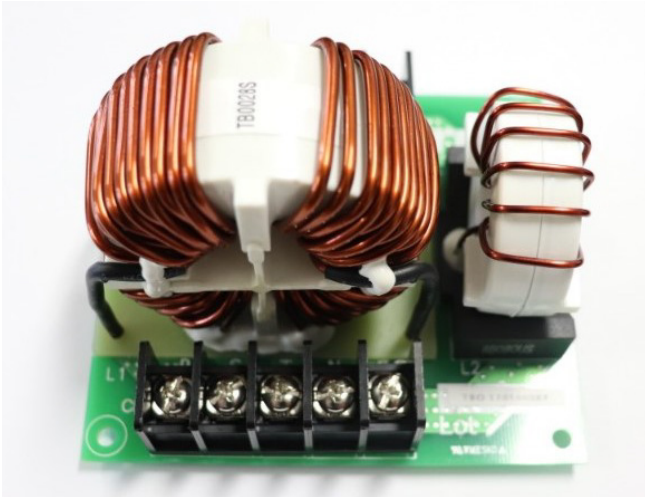


PCB mounting type for EMI measure part which can apply on electric product.
 We have various size from 7Φ to 100Φ, and also produce and design toroidal coil.
 Application: LED light, adapter, TV, solar inverter...

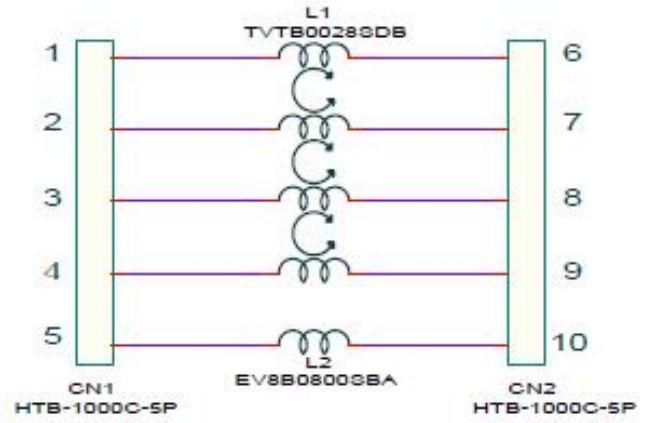
COMMON COIL		TOROIDAL 7Φ ~ 100Φ CURRENT 0.5A ~ 200A	
AUTO FLAT WIRE COIL		Rectangular . CURRENT 0.5A ~ 5A	
NORMAL COIL		TOROIDAL 7Φ ~ 1000Φ CURRENT 0.5A ~ 200A	
AUTO MOTIVE		. CURRENT 1A ~ 200A	

PCB ASS'Y

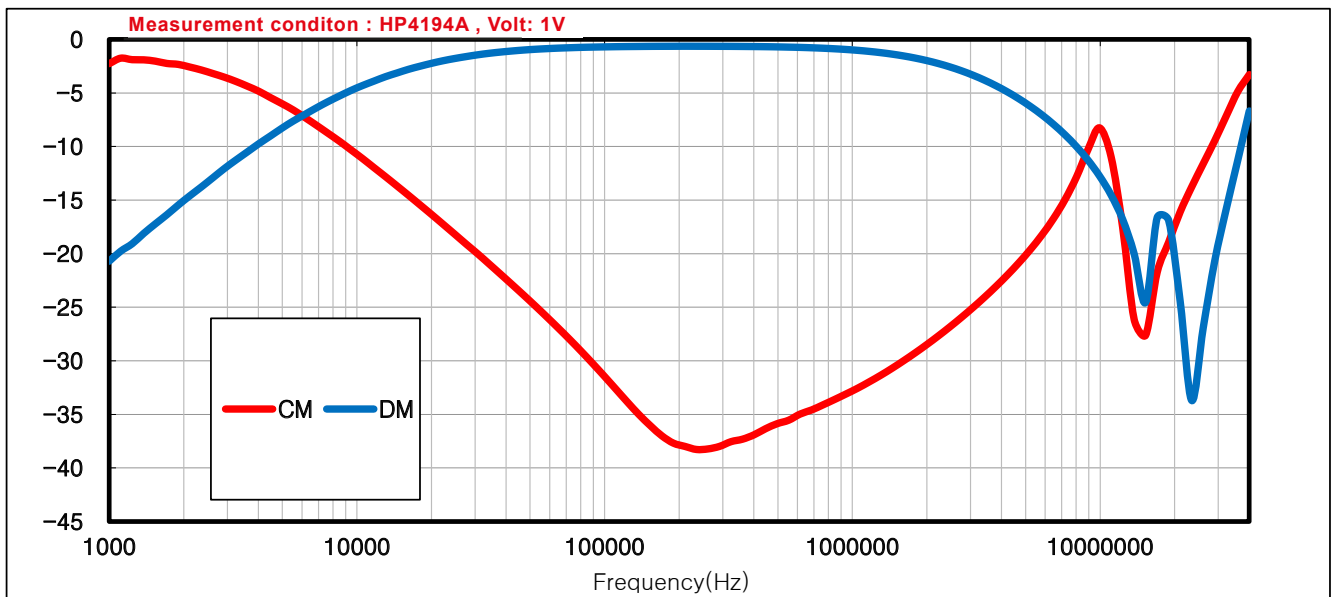
<TPBA-B0-003>



<CIRCUIT DIAGRAM>



<Attenuation>



REACTOR



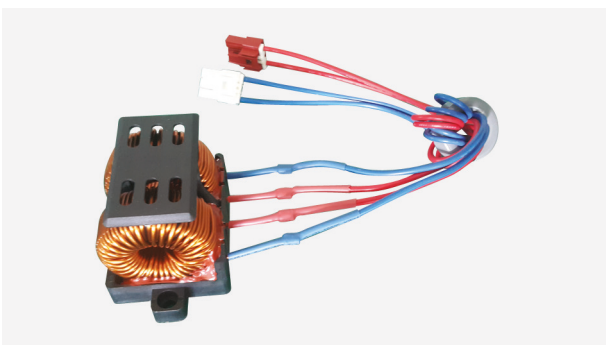
By using powder magnetic core it has less loss on high frequency, compared to silicone steel reactor.
And also have better temperature stability than ferrite core.
We can produce and supply best service(solutions for) on noise, efficiency, size, weight, and reliability.
Application: solar inverter, ESS, Refrigerator...



<AHK740-Series>



<AHK740-1-A5B00C>



<NVS467-Series>



<AHK740-2-B0800C>

3m EMI Compact Chamber



(주)티엔씨에서는 전자파 장애(EMI)중 전도노이즈(CE), 방사노이즈(RE) 대책에 대한 서비스를 실시하고 있습니다.
당사에서 생산되는 우수한 품질의 LINE FILTER와 EMI대책 전문 기술진을 바탕으로 완벽한 해결책을 제시해 드리겠습니다.

<보유장비>

- R&S ESR3 EMI TEST RECEIVER
- R&S LISN
- SCHWARZBECK Biconic
Logarithmic Periodic Antennas (Hybrid)



<전원사양>

- AC 0~300V, 50A, 50Hz, 60Hz
- DC 0~450V, 100A

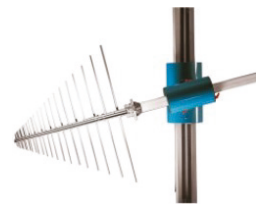


Automotive EMI Chamber



<보유장비>

- R&S ESR7 EMI TEST RECEIVER
- R&S, SCHWARZBECK Automotive LISN 6
- FCC Current Probe
- R&S ROD Antenna
- SCHWARZBECK Biconical Antenna
- SCHWARZBECK Log-Periodic Broadband Antenna
- SCHWARZBECK Log-Periodic Broadband Antenna
- PONTIS High Speed CAN 2, LIN 1



<전원사양>

- DC 0~600V, 0~150A

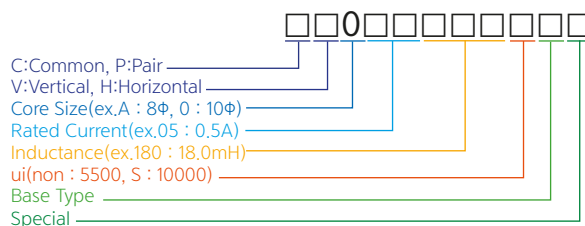


Common

SMD 8Φ, 10Φ-SERIES



PRODUCT NAME MEANING



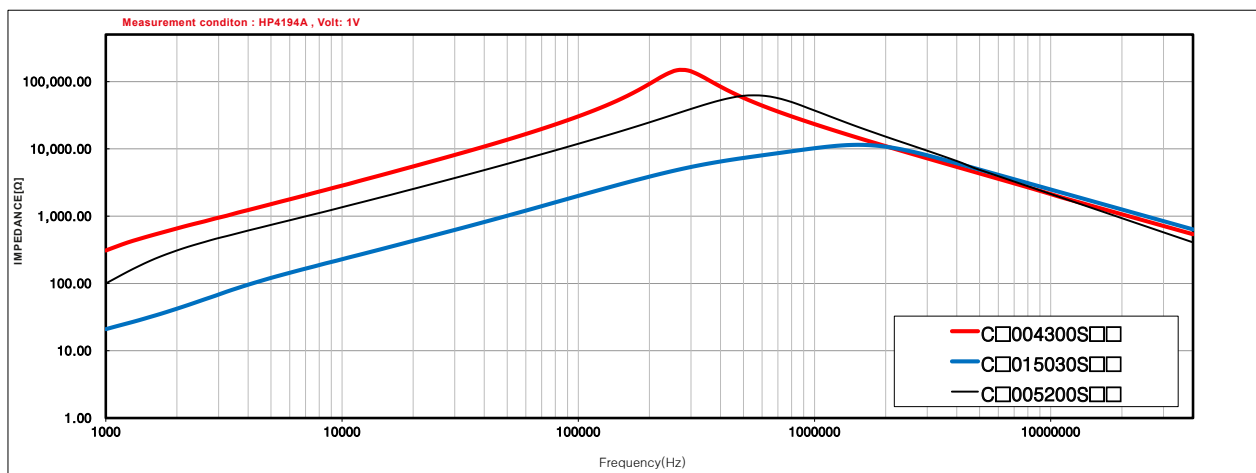
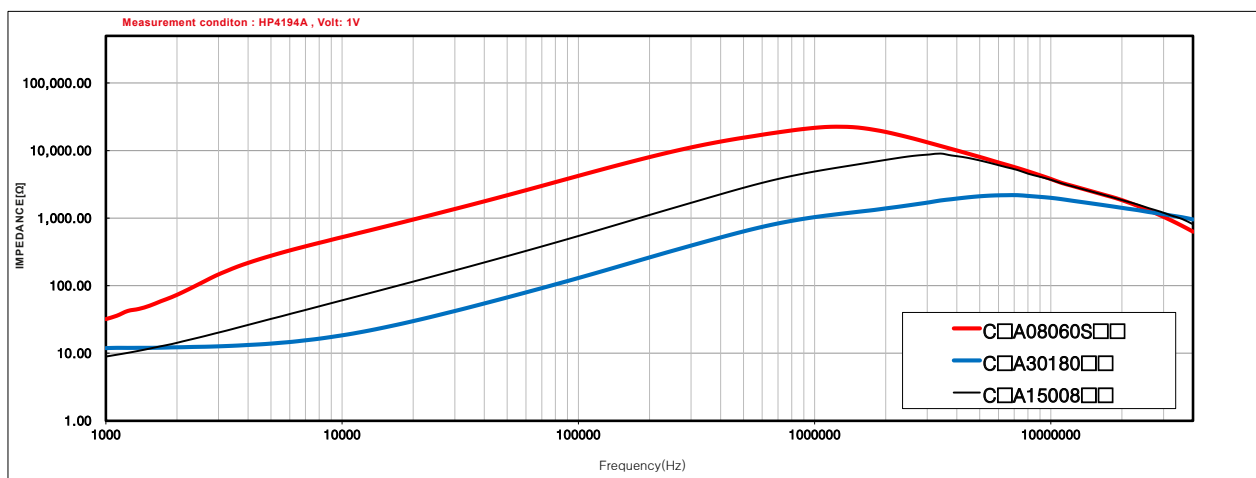
PART NUMBER AND SPECIFICATIONS

Part No.	Rated current(A)	Inductance(mH)	DC R(mΩ)	Rated Voltage(V)
C□A08060S□□	0.8	6.00	390	50
C□A15008□□	1.5	0.80	125	50
C□A20450□□	2.0	0.45	67	50
C□A30180□□	3.0	0.18	50	50
C□004300S□□	0.4	30.00	1235	300
C□005200S□□	0.5	20.00	1194	300
C□015030S□□	1.5	3.00	96	300

Notice

- Operating Temperature Range(Ambient Temperature Range and Winding Temperature Rise) : -30°C to 105°C
- Winding Temperature Rise(at Rated Current)is under 55°C
- Rising temperature is affected by PCB condition and an amount of harmonics.
Please make sure that the temperature of the coil is not exceeded the operating temperature range.
- UL94V-0 certified resin used
- Pb-free solder used
- RoHS free
- Custom made Products are also available
- Halogen free available

IMPEDANCE CHARACTERISTIC GRAPH



For safety and the proper usage, you are requested to approve our product specification
This contents subject to change without advance notice. Please check with our sales or R&D before ordering.

TNC_COMMON

■ SHAPE AND DIMENSION

Fig.1 CHAM- SERIES

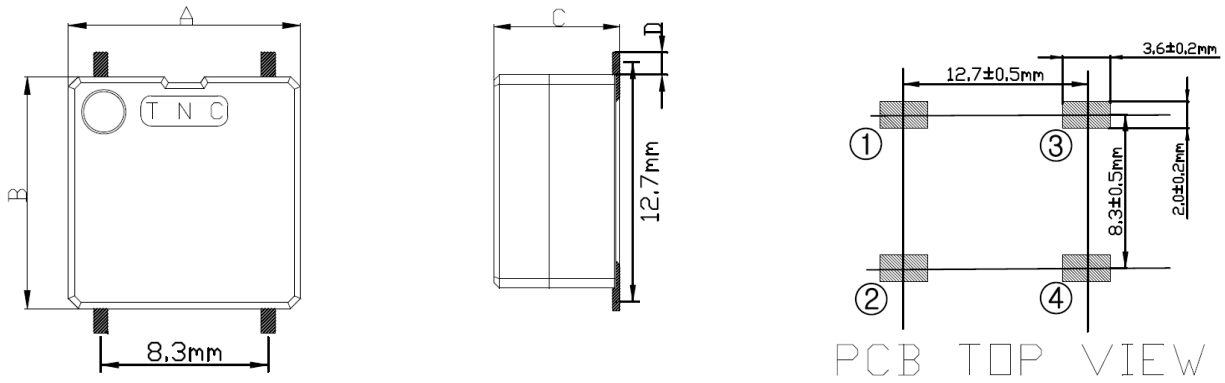
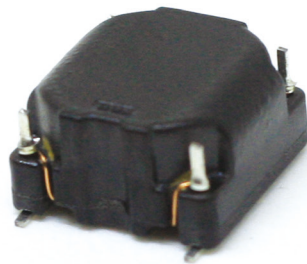
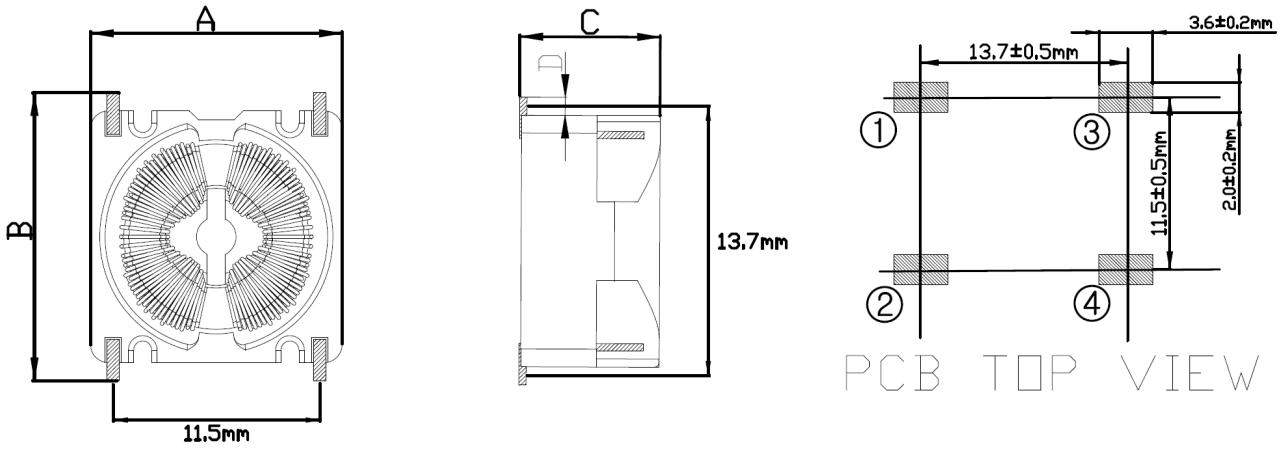


Fig.2 CH0M- SERIES



MODEL TYPE	A(mm)	B(mm)	C(mm)	D(mm)
CHAM(FIG.1)	12.5	12.5	7.5	1.2±0.5
CH0M(FIG.1)	14.5	16.5	8.1	1.0±0.5

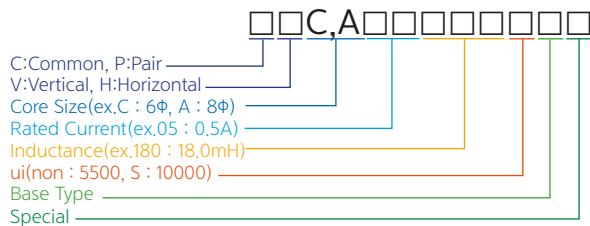
For safety and the proper usage, you are requested to approve our product specification
This contents subject to change without advance notice. Please check with our sales or R&D before ordering.

Common

6Φ, 8Φ-SERIES



■ PRODUCT NAME MEANING



■ PART NUMBER AND SPECIFICATIONS

*AC용

Part No.	Rated current(A)	Inductance (uH)	DC R (mΩ)	Rated Voltage(V)
C□C1090US□□	1.0	900	326	300
C□C2020US□□	2.0	200	87	300
C□A1504UN□□	1.5	40	76	300
C□A3014US□□	3.0	140	49	300
C□A30180□□	3.0	180	58	300
C□A6003U□□	6.0	30	15	300

*DC용

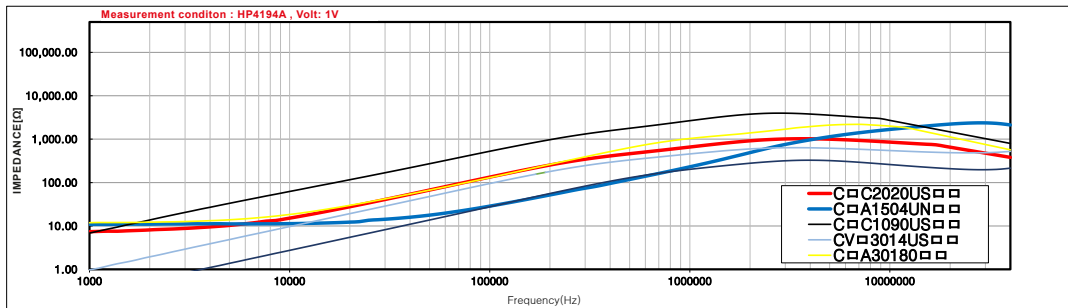
Part No.	Rated current(A)	Inductance (uH)	DC R (mΩ)	Rated Voltage(V)
C□A05080S□□	0.5	8000	513	50
P□A20290□□	2.0	290	71	50
P□A30180□□	3.0	180	65	50
P□A35023N□□	3.5	23	36	50
P□A50200N□□	5.0	200	23	50
P□A60120□□	6.0	120	19	50
P□A60160□□	6.0	160	21	50
C□A6011RN□□	6.0	11	16	50
P□A70050□□	7.0	50	12	50
P□A80030□□	8.0	30	12	50
P□AA0030□□	10.0	30	9	50

Notice

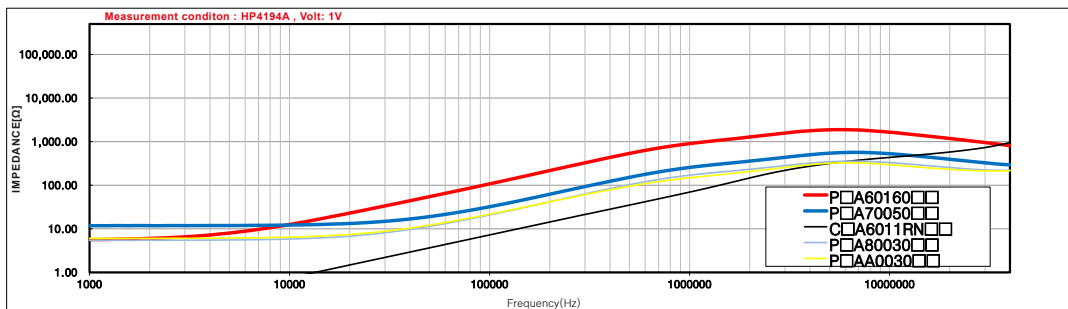
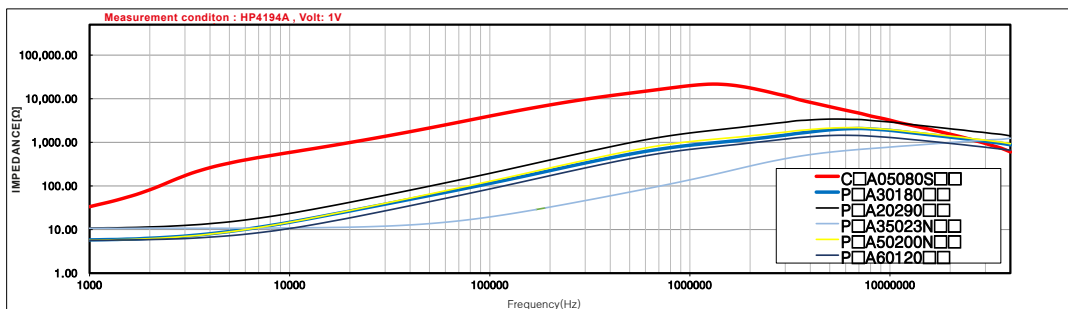
- Operating Temperature Range(Ambient Temperature Range and Winding Temperature Rise) : -30°C to 105°C
- Winding Temperature Rise(at Rated Current)is under 55°C
- Rising temperature is affected by PCB condition and an amount of harmonics.
- Please make sure that the temperature of the coil is not exceeded the operating temperature range.

- UL94V-0 certified resin used - Pb-free solder used - RoHS free - Custom made Products are also available - Halogen free available

*AC용



*DC용



For safety and the proper usage, you are requested to approve our product specification
This contents subject to change without advance notice. Please check with our sales or R&D before ordering.

■ SHAPE AND DIMENSION

Fig.1 CVCA- SERIES

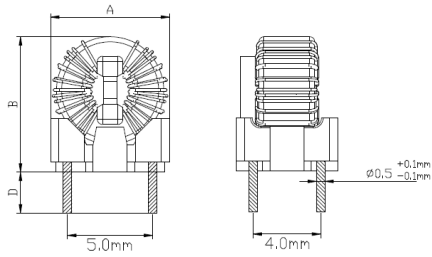


Fig.2 CVAB- SERIES

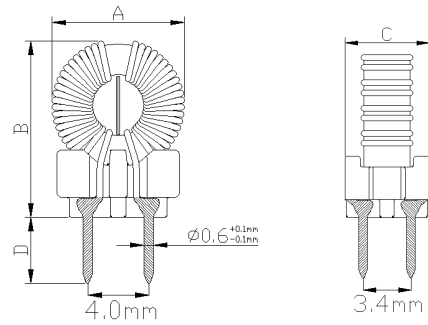


Fig.3 CHAA- SERIES

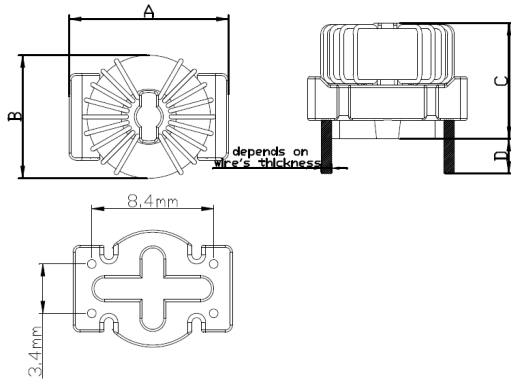


Fig.4 PVAJ- SERIES

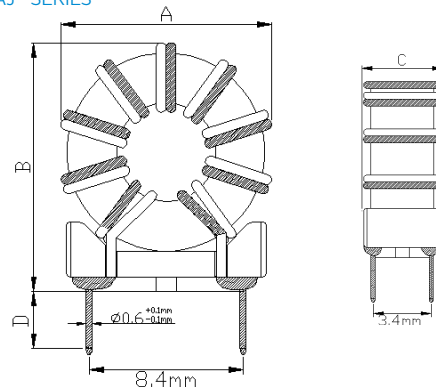


Fig.5 PVAC- SERIES

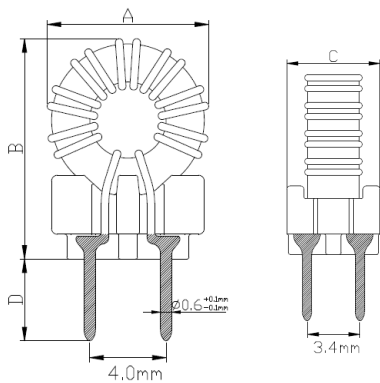


Fig.6 PVAA- SERIES

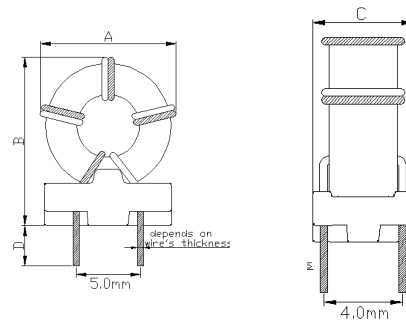
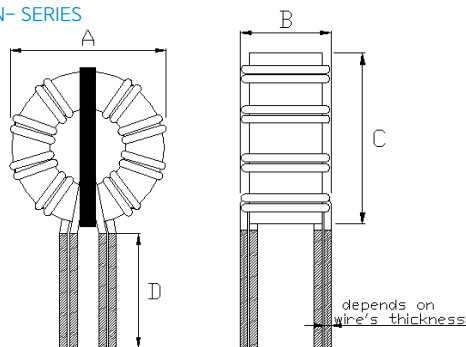


Fig.7 PVAN- SERIES

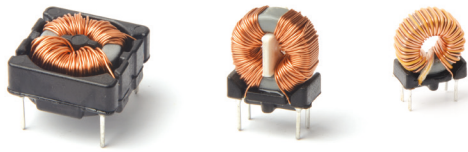


MODEL TYPE	A(mm)	B(mm)	C(mm)	D(mm)
CVCA(FIG.1)	7.5	8.5	6.5	2.3±1.0
CVAB(FIG.2)	10.0	14.0	7.0	4.0±1.0
CHAA(FIG.3)	11.5	11.0	9.0	1.1±1.0
PVAJ(FIG.4)	12.0	12.0	7.0	4.0±1.0
PVAC(FIG.5)	11.5	13.5	8.0	4.0±1.0
PVAA(FIG.6)	10.0	12.0	8.0	4.0±1.0
PVAN(FIG.7)	11.0	6.0	11.0	8.0±2.0

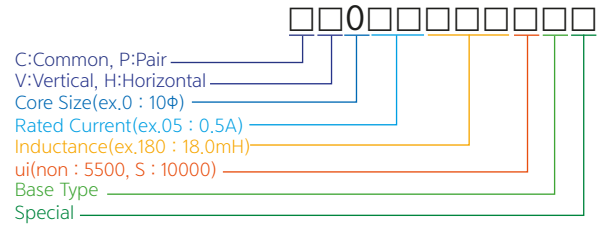
For safety and the proper usage, you are requested to approve our product specification
This contents subject to change without advance notice. Please check with our sales or R&D before ordering.

Common

10Φ-SERIES



PRODUCT NAME MEANING



PART NUMBER AND SPECIFICATIONS

*AC용

Part No.	Rated current(A)	Inductance (mH)	DCR (mΩ)	Rated Voltage(V)
C□003400S□□	0.3	40.0	1100	300
C□004300S□□	0.4	30.0	1002	300
C□005200S□□	0.5	20.0	1194	300
C□008090S□□	0.8	9.0	264	300
C□015030S□□	1.5	3.0	96	300
C□025010S□□	2.5	1.0	36	300
C□030450S□□	3.0	0.450	30	300
C□03006UN□□	3.0	0.060	37	300
C□040031N□□	4.0	0.031	23	300
C□050031N□□	5.0	0.031	24	300

*DC용

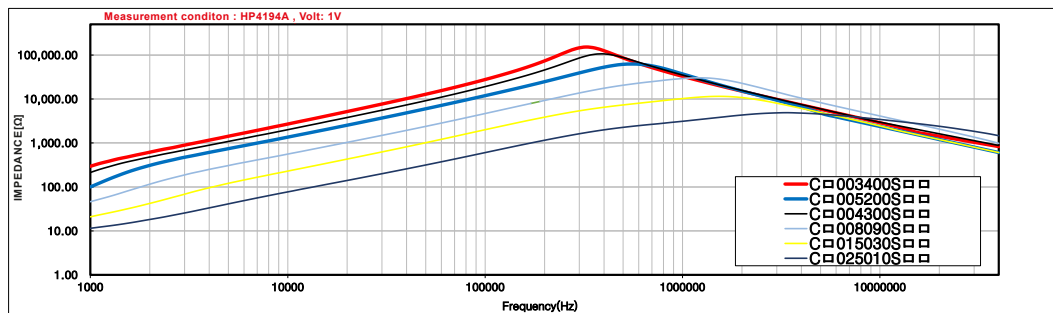
Part No.	Rated current(A)	Inductance(mH)	DCR (mΩ)	Rated Voltage(V)
P□015015S□□	1.5	1.5	134	50
P□035031N□□	3.5	0.031	23	50
C□040031N□□	4.0	0.031	23	50
P□050031N□□	5.0	0.031	24	50
P□55031N□□	5.5	0.031	23	50
P□065031N□□	6.5	0.031	18	50

Notice

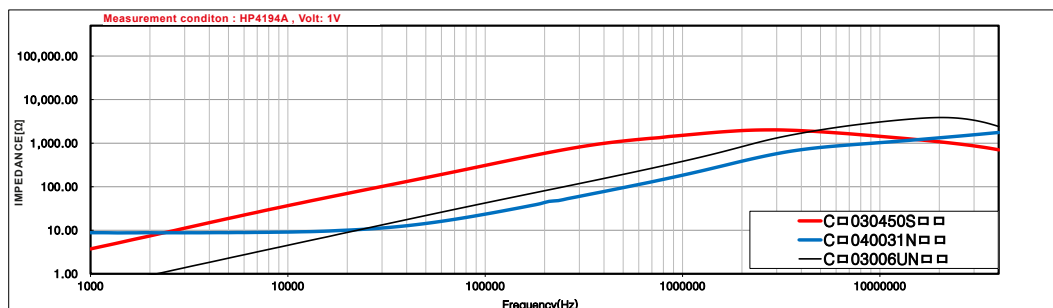
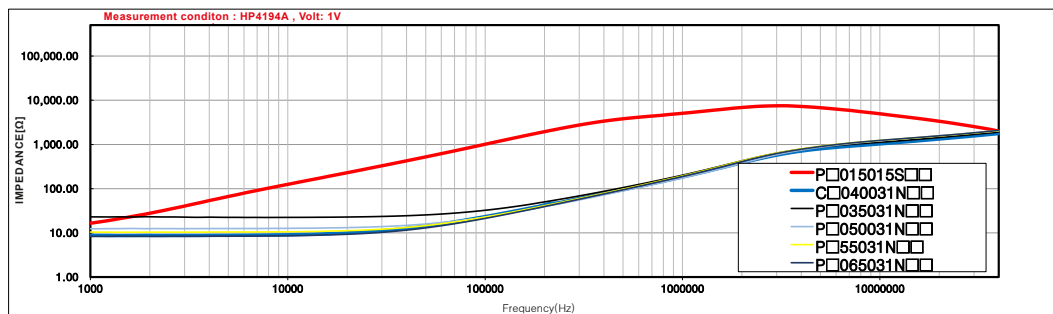
- Operating Temperature Range(Ambient Temperature Range and Winding Temperature Rise) : -30°C to 105°C
- Winding Temperature Rise(at Rated Current)is under 55°C
- Rising temperature is affected by PCB condition and an amount of harmonics. Please make sure that the temperature of the coil is not exceeded the operating temperature range.

- UL94V-0 certified resin used - Pb-free solder used - RoHS free - Custom made Products are also available - Halogen free available

*AC용



*DC용



For safety and the proper usage, you are requested to approve our product specification. This contents subject to change without advance notice. Please check with our sales or R&D before ordering.

■ SHAPE AND DIMENSION

Fig.1 CV0J- SERIES

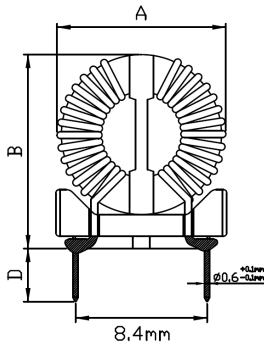


Fig.2 CV0D- SERIES

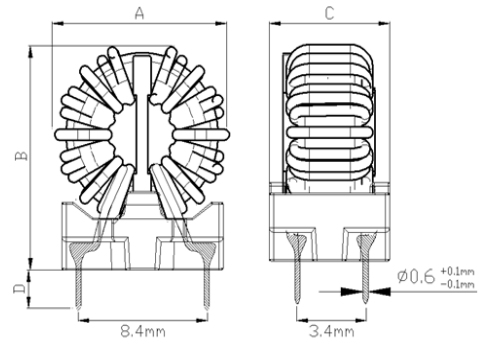


Fig.3 CV0F- SERIES

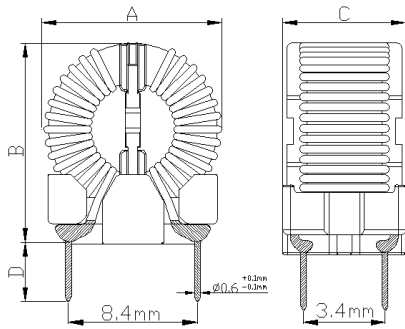


Fig.4 CH0B- SERIES

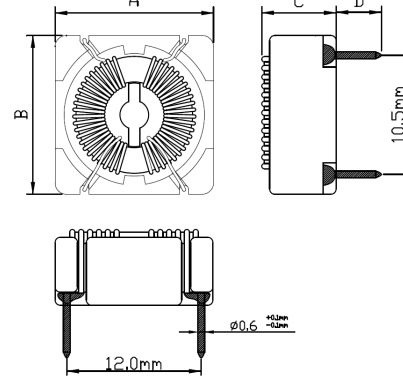


Fig.5 CH0D- SERIES

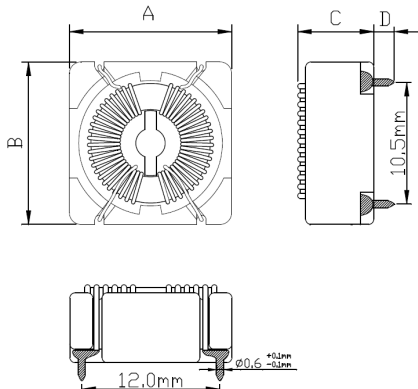


Fig.6 PV0E- SERIES

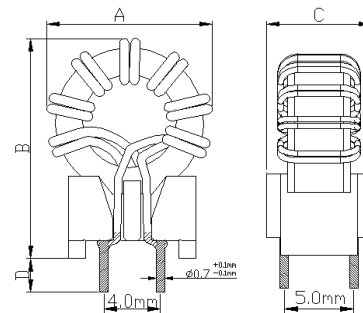


Fig.7 PV0J- SERIES

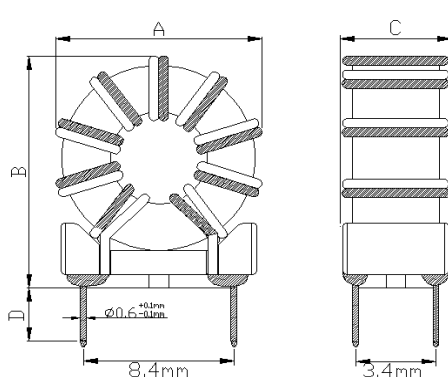
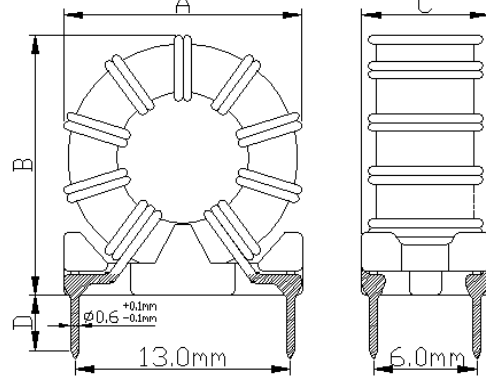


Fig.8 PV0A- SERIES

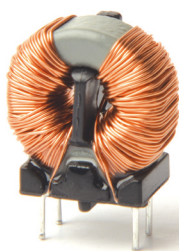


MODEL TYPE	A(mm)	B(mm)	C(mm)	D(mm)
CV0J (FIG.1)	14.0	16.0	10.0	4.0±1.0 (Not include solder fillet)
CV0D (FIG.2)	14.0	16.0	10.0	4.0±1.0 (Not include solder fillet)
CV0F (FIG.3)	13.0	15.0	10.0	4.0±1.0 (Not include solder fillet)
CH0B (FIG.4)	14.5	14.5	8.0	4.0±1.0 (Not include solder fillet)
CH0D (FIG.5)	14.5	14.5	8.0	1.0±0.5 (Not include solder fillet)
PV0E (FIG.6)	13.0	17.0	9.0	4.0±1.0 (Not include solder fillet)
PV0J (FIG.7)	14.0	16.0	9.0	4.0±1.0 (Not include solder fillet)
PV0A (FIG.8)	17.0	15.0	10.0	4.0±1.0 (Not include solder fillet)

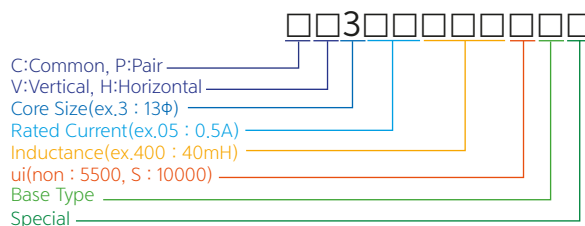
For safety and the proper usage, you are requested to approve our product specification
This contents subject to change without advance notice. Please check with our sales or R&D before ordering.

Common

13Φ-SERIES



PRODUCT NAME MEANING

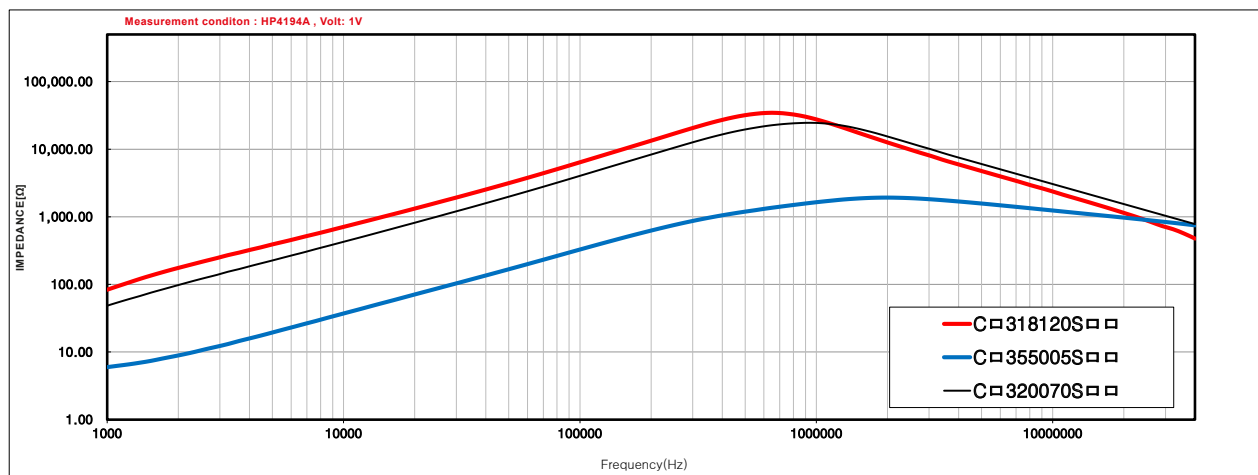
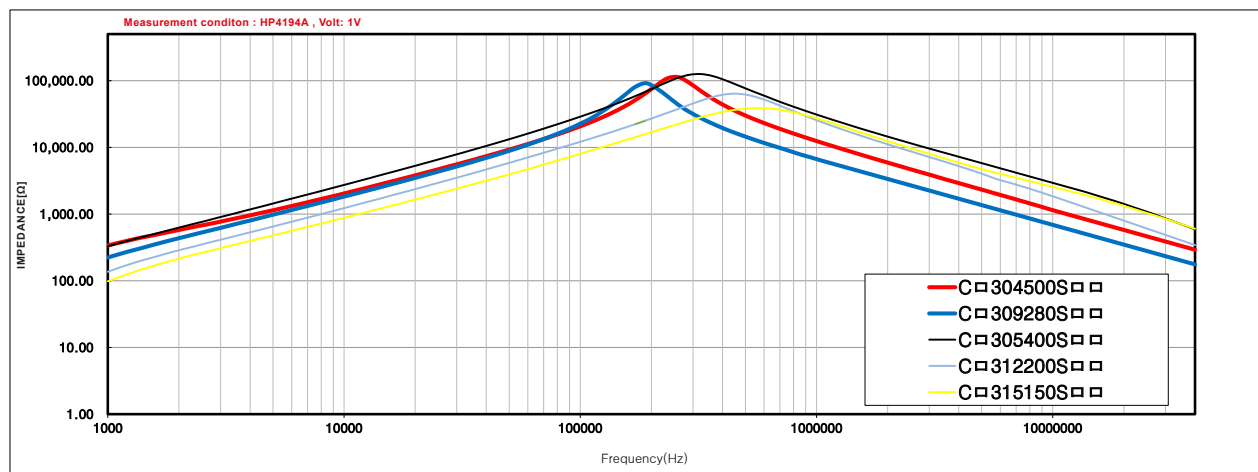


PART NUMBER AND SPECIFICATIONS

Part No.	Rated current(A)	Inductance(mH)	DC R(mΩ)	Rated Voltage(V)
C□304500S□□	0.4	50.0	963	300
C□305400S□□	0.5	40.0	838	300
C□309280S□□	0.9	28.0	477	300
C□312200S□□	1.2	20.0	279	300
C□315150S□□	1.5	15.0	266	300
C□318120S□□	1.8	12.0	156	300
C□320070S□□	2.0	7.0	141	300
C□355005S□□	5.5	0.50	19	300
C□36045US□□	6.0	0.45	19	300

Notice

- Operating Temperature Range(Ambient Temperature Range and Winding Temperature Rise) : -30°C to 105°C
- Winding Temperature Rise(at Rated Current)is under 55°C
- Rising temperature is affected by PCB condition and an amount of harmonics.
Please make sure that the temperature of the coil is not exceeded the operating temperature range.
- UL94V-0 certified resin used
- Pb-free solder used
- RoHS free
- Custom made Products are also available
- Halogen free available



For safety and the proper usage, you are requested to approve our product specification
 This contents subject to change without advance notice. Please check with our sales or R&D before ordering.

TNC_COMMON

■ SHAPE AND DIMENSION

Fig.1 CV3A- SERIES

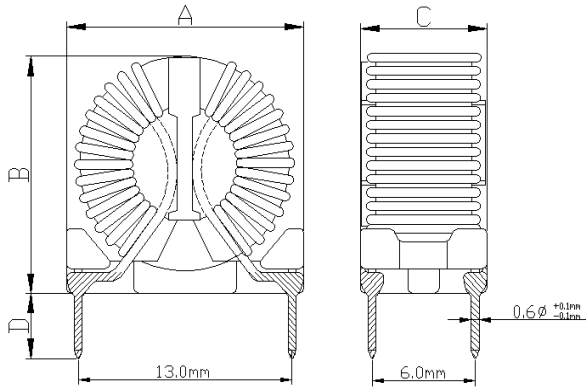


Fig.2 CV3B- SERIES

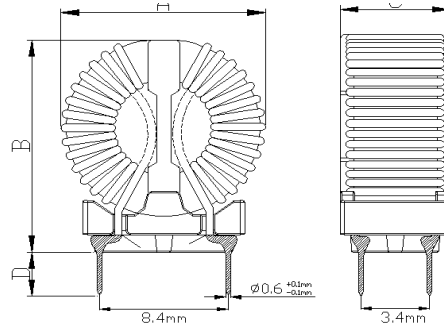


Fig.3 CV3C- SERIES

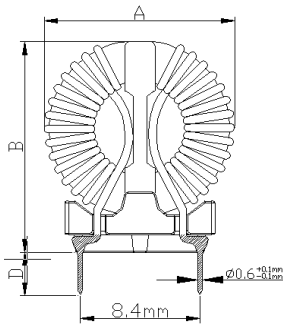
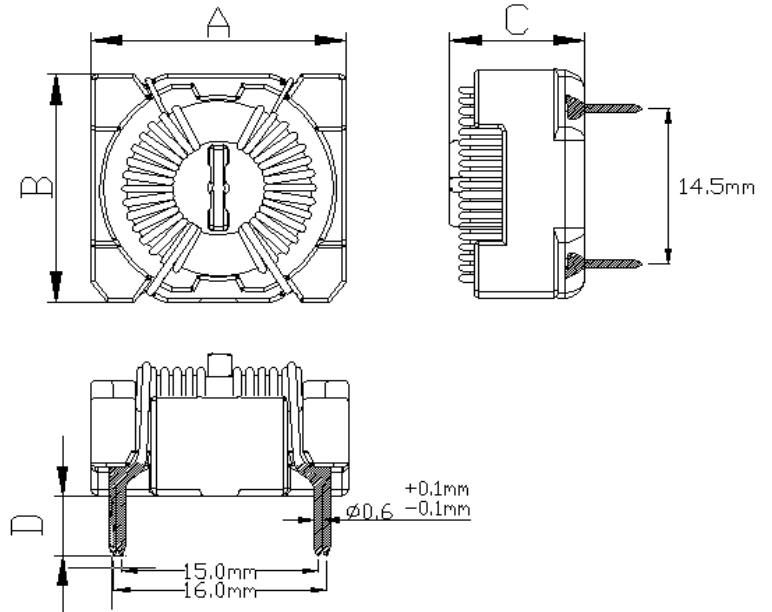


Fig.4 CH3B- SERIES

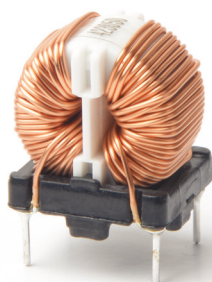


MODEL TYPE	A(mm)	B(mm)	C(mm)	D(mm)
CV3A(FIG.1)	17.0	18.5	10.0	4.0±1.0
CV3B(FIG.2)	16.0	18.5	10.0	4.0±1.0
CV3C(FIG.3)	16.0	18.5	10.0	5.0±1.0
CH3B(FIG.4)	20.0	20.0	9.5	4.0±1.0

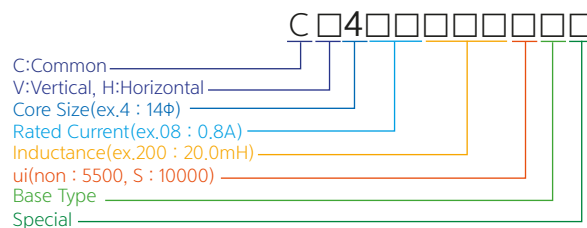
For safety and the proper usage, you are requested to approve our product specification
 This contents subject to change without advance notice. Please check with our sales or R&D before ordering.

Common

14Φ-SERIES



■ PRODUCT NAME MEANING



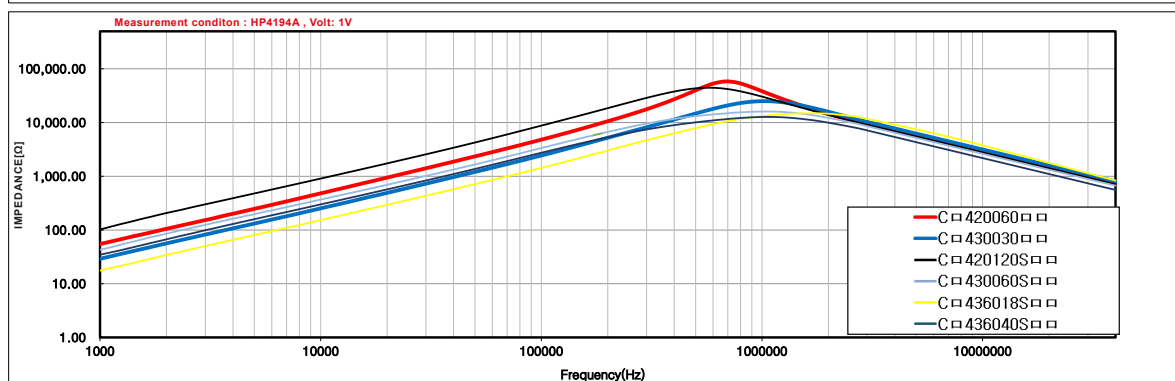
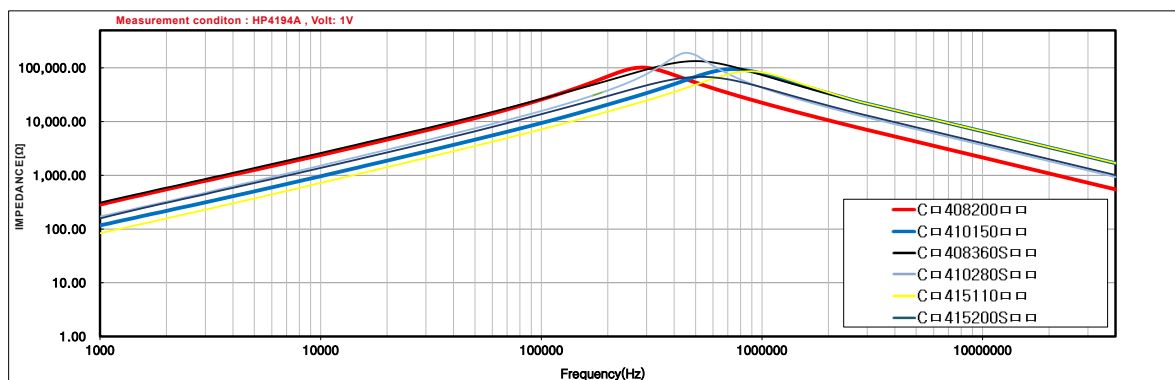
■ PART NUMBER AND SPECIFICATIONS

Part No.	Rated current(A)	Inductance(mH)	DC R(mΩ)	Rated Voltage(V)
C□408200□□	0.8	20.0	667	300
C□408360S□□	0.8	36.0	667	300
C□410150□□	1.0	15.0	422	300
C□410280S□□	1.0	28.0	422	300
C□415110□□	1.5	11.0	279	300
C□415200S□□	1.5	20.0	279	300
C□420060□□	2.0	6.0	170	300
C□420120S□□	2.0	12.0	170	300
C□423050□□	2.3	5.0	113	300
C□423090S□□	2.3	9.0	113	300
C□430030□□	3.0	3.0	92	300
C□430060S□□	3.0	6.0	92	300
C□436018□□	3.6	1.8	70	300
C□436040S□□	3.6	4.0	47	300

Notice

- Operating Temperature Range(Ambient Temperature Range and Winding Temperature Rise) : -30°C to 120°C
- Winding Temperature Rise(at Rated Current)is under 55°C
- Rising temperature is affected by PCB condition and an amount of harmonics.
Please make sure that the temperature of the coil is not exceeded the operating temperature range.

- UL94V-0 certified resin used
- Pb-free solder used
- RoHS free
- Custom made Products are also available
- Halogen free available



For safety and the proper usage, you are requested to approve our product specification
 This contents subject to change without advance notice. Please check with our sales or R&D before ordering.

■ SHAPE AND DIMENSION

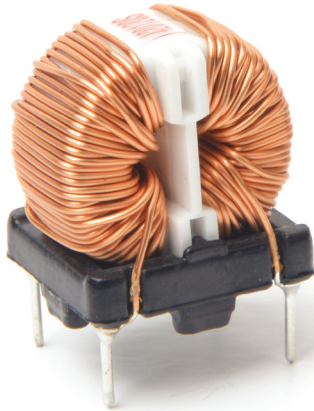


Fig.1 CV4K- SERIES

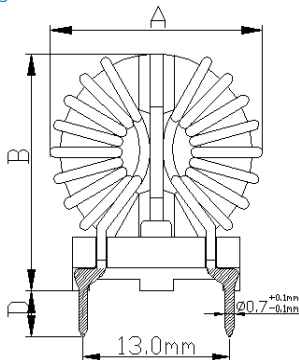


Fig.2 CV4L- SERIES

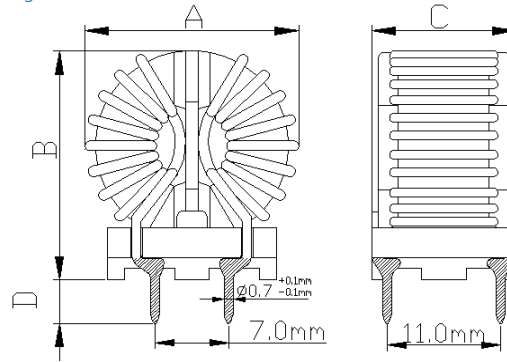
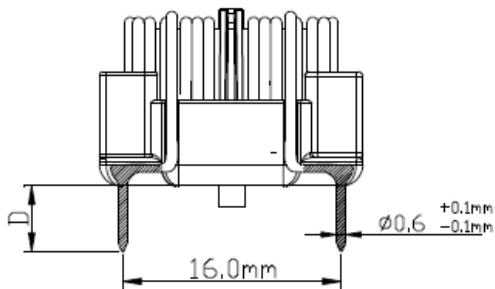
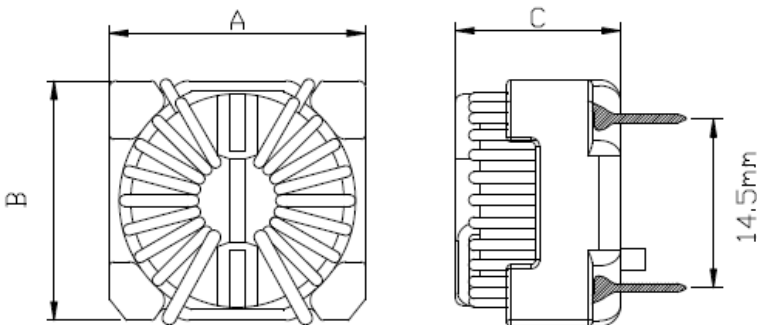


Fig.3 CH4F- SERIES

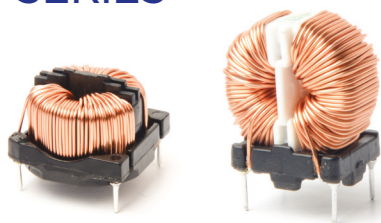


MODEL TYPE	A(mm)	B(mm)	C(mm)	D(mm)
CV4K(FIG.1)	18.0	20.0	15.0	4.0±1.0
CV4L(FIG.2)	18.0	20.0	15.0	4.0±1.0
CV4F(FIG.3)	20.0	20.0	16.0	4.0±1.0

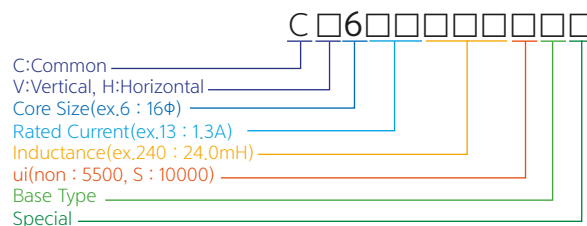
For safety and the proper usage, you are requested to approve our product specification
This contents subject to change without advance notice. Please check with our sales or R&D before ordering.

Common

16Φ-SERIES



■ PRODUCT NAME MEANING



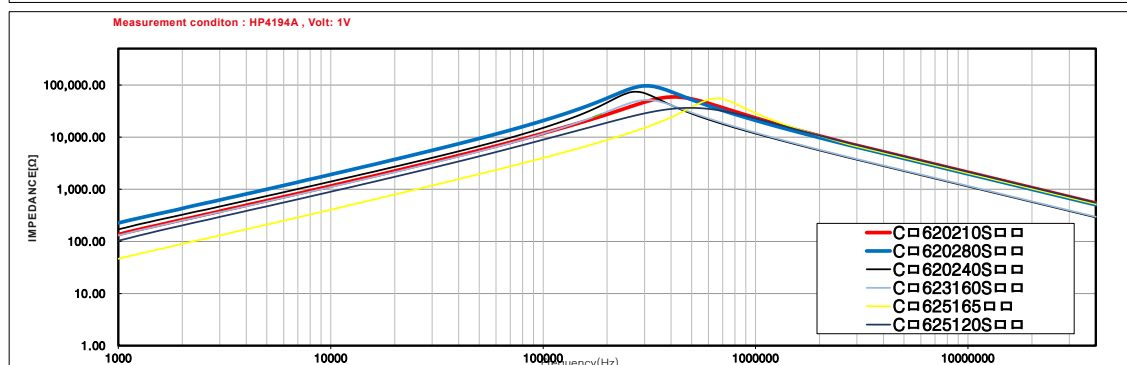
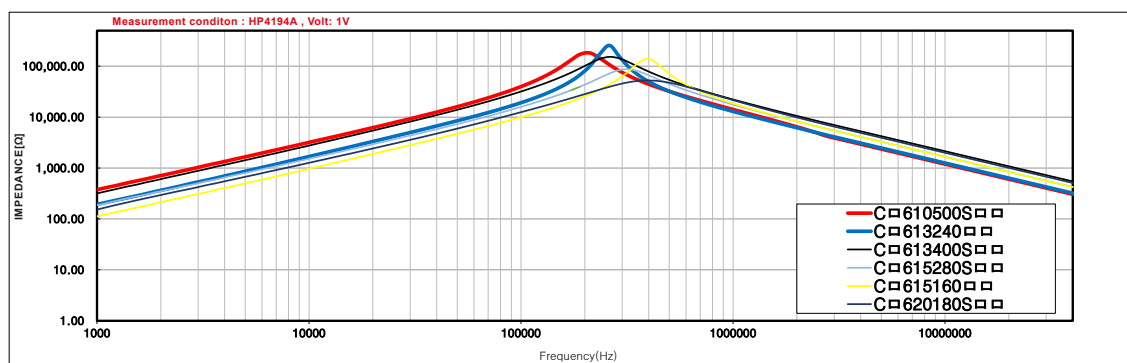
■ PART NUMBER AND SPECIFICATIONS

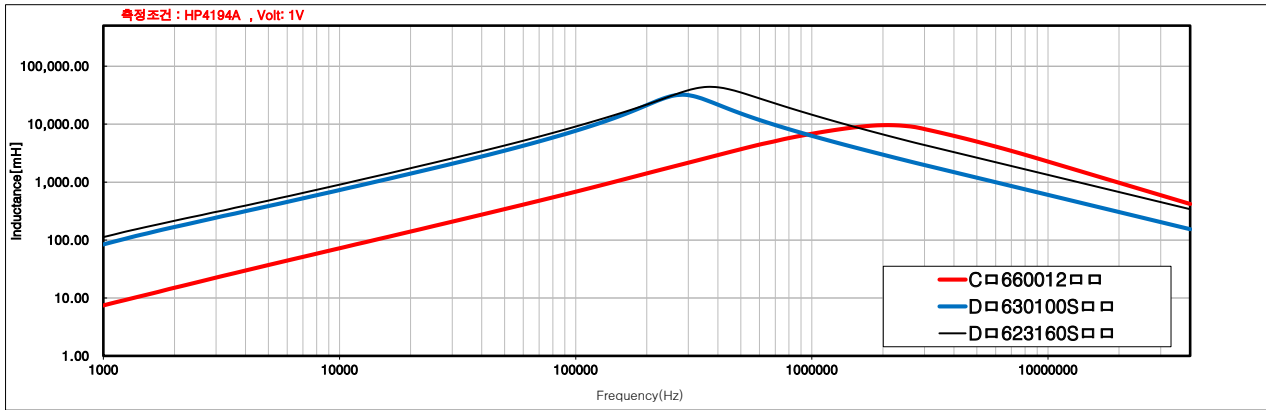
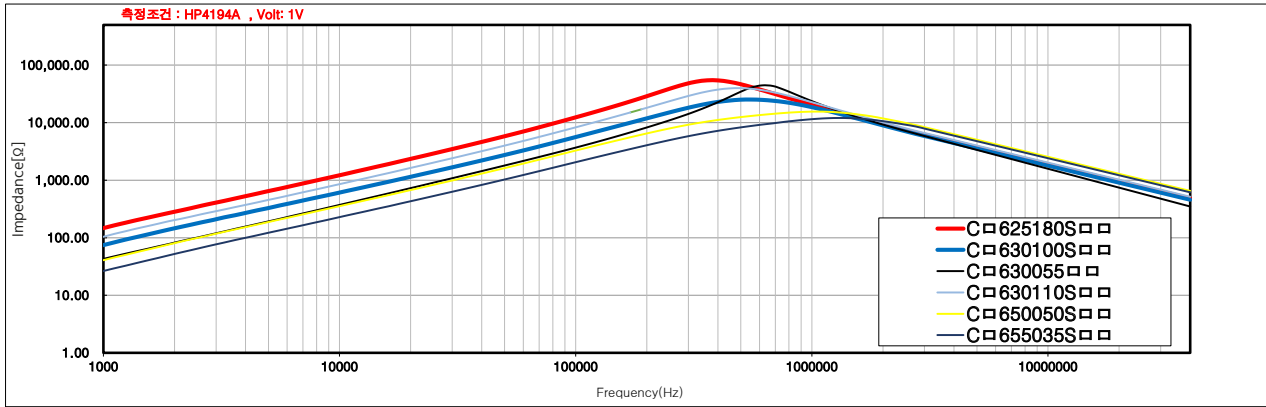
Part No.	Rated current(A)	Inductance(mH)	DC R(mΩ)	Rated Voltage(V)
C□610500S□□	1.0	50.0	436	300
C□613400S□□	1.3	40.0	435	300
C□613240□□	1.3	24.0	439	300
C□615280S□□	1.5	28.0	284	300
C□615160□□	1.5	16.0	284	300
C□620180S□□	2.0	18.0	173	300
C□620210S□□	2.0	21.0	177	300
C□620240S□□	2.0	24.0	173	300
C□620280S□□	2.0	28.0	212	300
C□623160S□□	2.3	16.0	138	300
C□625065□□	2.5	6.5	145	300
C□625120S□□	2.5	12.0	115	300
C□625180S□□	2.5	18.0	136	300
C□630055□□	3.0	5.5	91	300
C□630100S□□	3.0	10.0	117	300
C□630110S□□	3.0	10.0 MIN	101	300
C□650050S□□	5.0	5.0	48	300
C□655035S□□	5.5	3.5	43	300
C□660012□□	6.0	1.2	25	300
D□623160S□□	2.3	16.0	165	300
D□630100S□□	3.0	10.0	85	300

Notice

- Operating Temperature Range(Ambient Temperature Range and Winding Temperature Rise) : -30°C to 120°C
- Winding Temperature Rise(at Rated Current)is under 55°C
- Rising temperature is affected by PCB condition and an amount of harmonics.
Please make sure that the temperature of the coil is not exceeded the operating temperature range.

- UL94V-0 certified resin used - Pb-free solder used - RoHS free - Custom made Products are also available - Halogen free available





For safety and the proper usage, you are requested to approve our product specification
 This contents subject to change without advance notice. Please check with our sales or R&D before ordering.

■ SHAPE AND DIMENSION

Fig.1 CV6K- SERIES

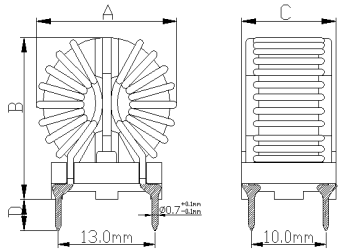


Fig.2 CV6L- SERIES

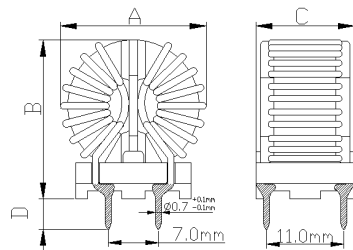


Fig.3 CH6F- SERIES

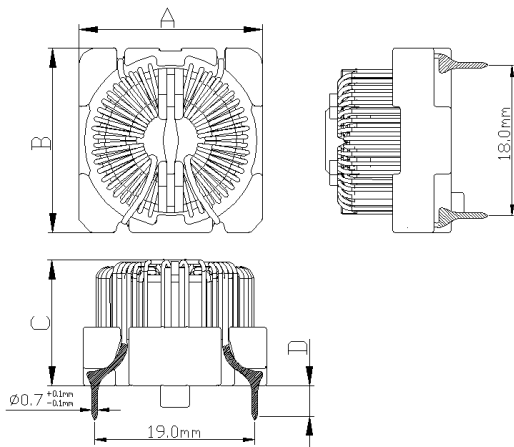
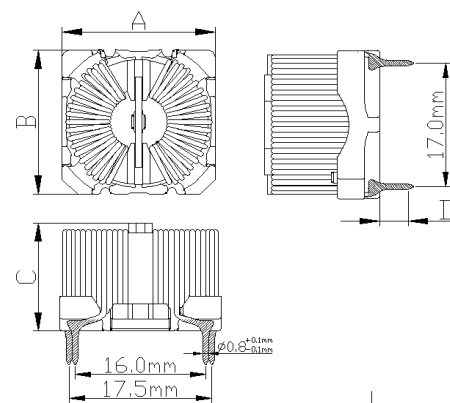


Fig.4 CH6M- SERIES

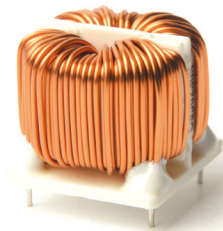


MODEL TYPE	A(mm)	B(mm)	C(mm)	D(mm)
CV6K(FIG.1)	21.0	23.0	15.0	4.0±1.0
CV6L(FIG.2)	21.0	23.0	15.0	4.0±1.0
CH6F(FIG.3)	23.0	23.0	16.0	4.0±1.0
CH6M(FIG.4)	22.0	22.0	16.0	4.0±1.0

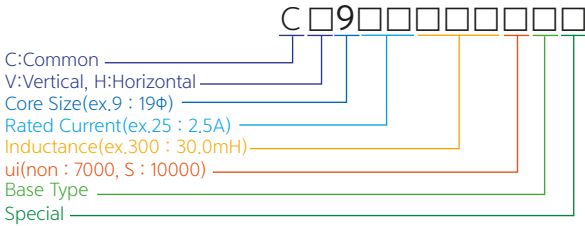
For safety and the proper usage, you are requested to approve our product specification
 This contents subject to change without advance notice. Please check with our sales or R&D before ordering.

Common

19Φ-SERIES



■ PRODUCT NAME MEANING

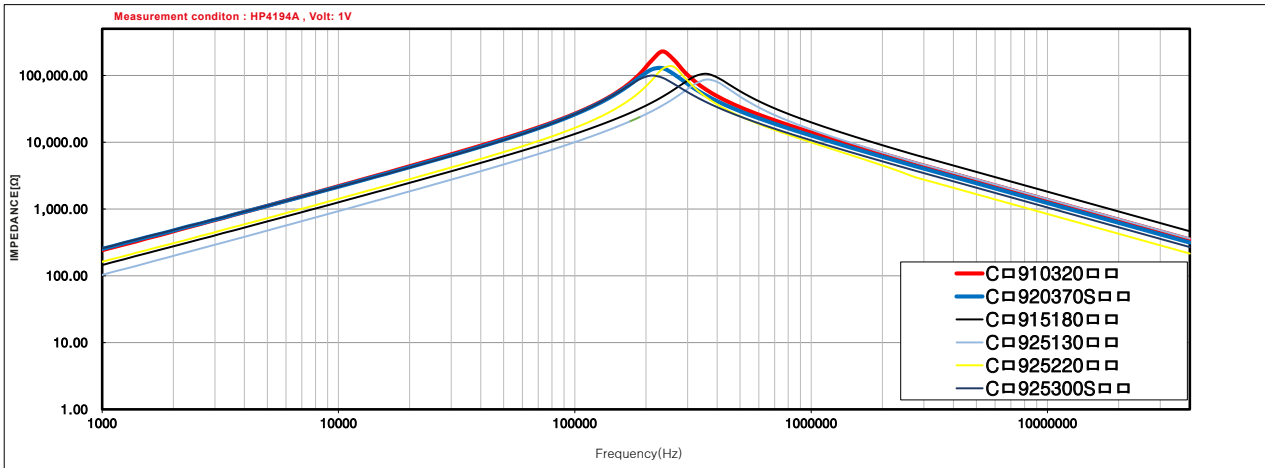


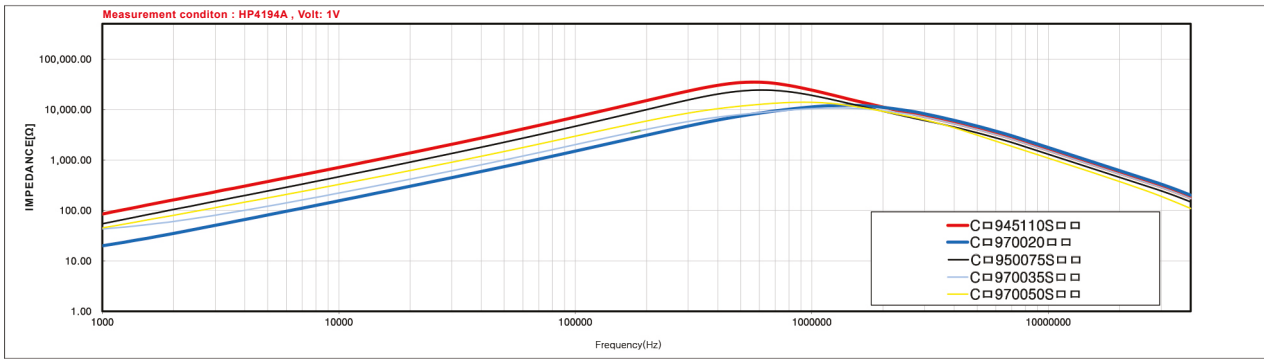
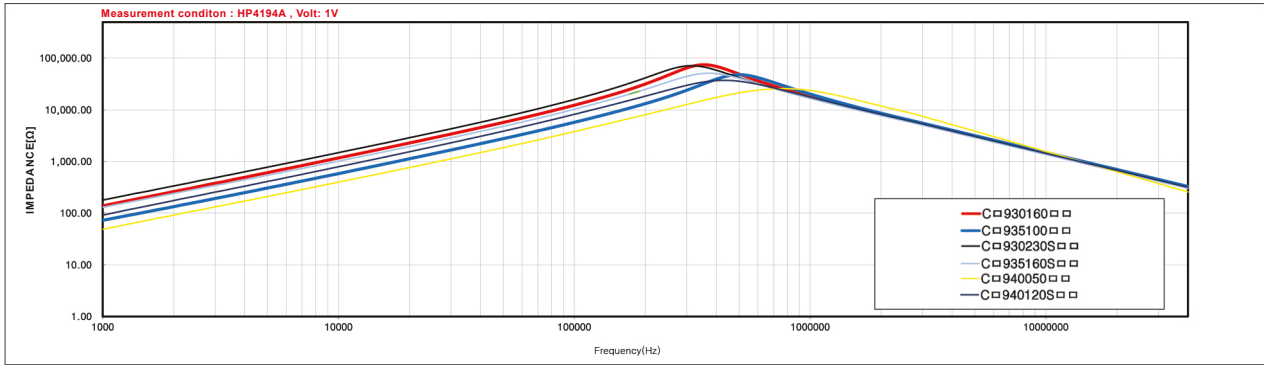
■ PART NUMBER AND SPECIFICATIONS

Part No.	Rated current(A)	Inductance(mH)	DC R(mΩ)	Rated Voltage(V)
C 910320	1.0	32.0	503	300
C 915180	1.5	18.0	250	300
C 920370S	2.0	37.0	244	300
C 925130	2.5	13.0	173	300
C 925220	2.5	22.0	187	300
C 925300S	2.5	30.0	183	300
C 930160	3.0	16.0	138	300
C 930230S	3.0	23.0	138	300
C 935100	3.5	10.0	96	300
C 935160S	3.5	16.0	103	300
C 940050	4.0	5.0	80	300
C 940120S	4.0	12.0	77	300
C 945110S	4.5	11.0	69	300
C 950075S	5.0	7.5	58	300
C 970020	7.0	2.0	25	300
C 970035S	7.0	3.5	26	300
C 970050S	7.0	5.0	30	300

Notice

- Operating Temperature Range(Ambient Temperature Range and Winding Temperature Rise) : -30°C to 120°C
- Winding Temperature Rise(at Rated Current)is under 55°C
- Rising temperature is affected by PCB condition and an amount of harmonics.
Please make sure that the temperature of the coil is not exceeded the operating temperature range.
- UL94V-0 certified resin used
- Pb-free solder used
- RoHS free
- Custom made Products are also available
- Halogen free available





For safety and the proper usage, you are requested to approve our product specification
 This contents subject to change without advance notice. Please check with our sales or R&D before ordering.

■ SHAPE AND DIMENSION

Fig.1 CV9F- SERIES

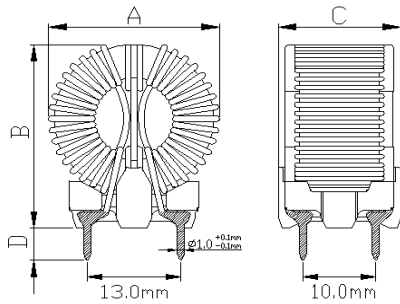


Fig.2 CV9E- SERIES

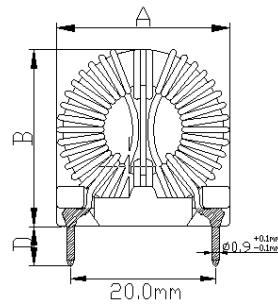


Fig.3 CH9H- SERIES

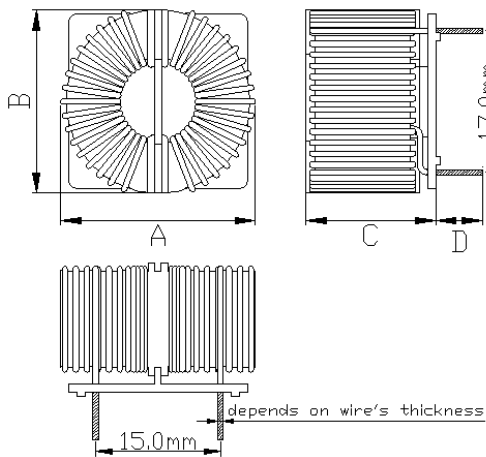
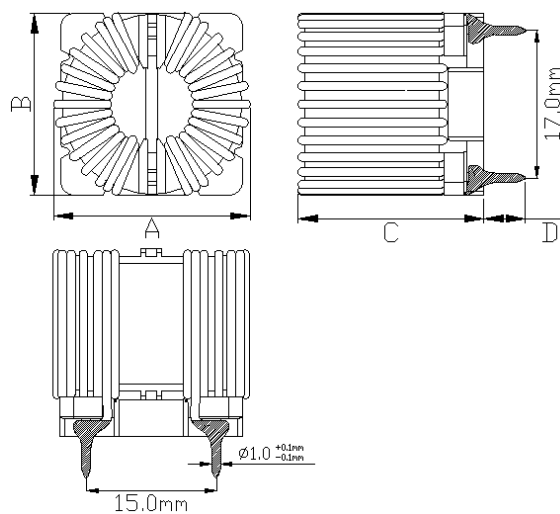


Fig.4 CH9Q- SERIES

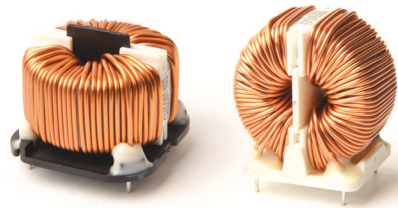


MODEL TYPE	A(mm)	B(mm)	C(mm)	D(mm)
CV9F(FIG.1)	25.0	30.0	20.0	4.0±1.0
CV9E(FIG.2)	25.0	25.0	21.0	4.0±1.0
CH9H(FIG.3)	26.0	26.0	24.0	4.0±1.0
CH9Q(FIG.4)	26.0	26.0	24.0	4.0±1.0

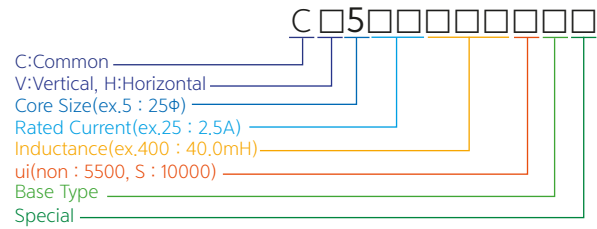
For safety and the proper usage, you are requested to approve our product specification
 This contents subject to change without advance notice. Please check with our sales or R&D before ordering.

Common

25Φ-SERIES



■ PRODUCT NAME MEANING



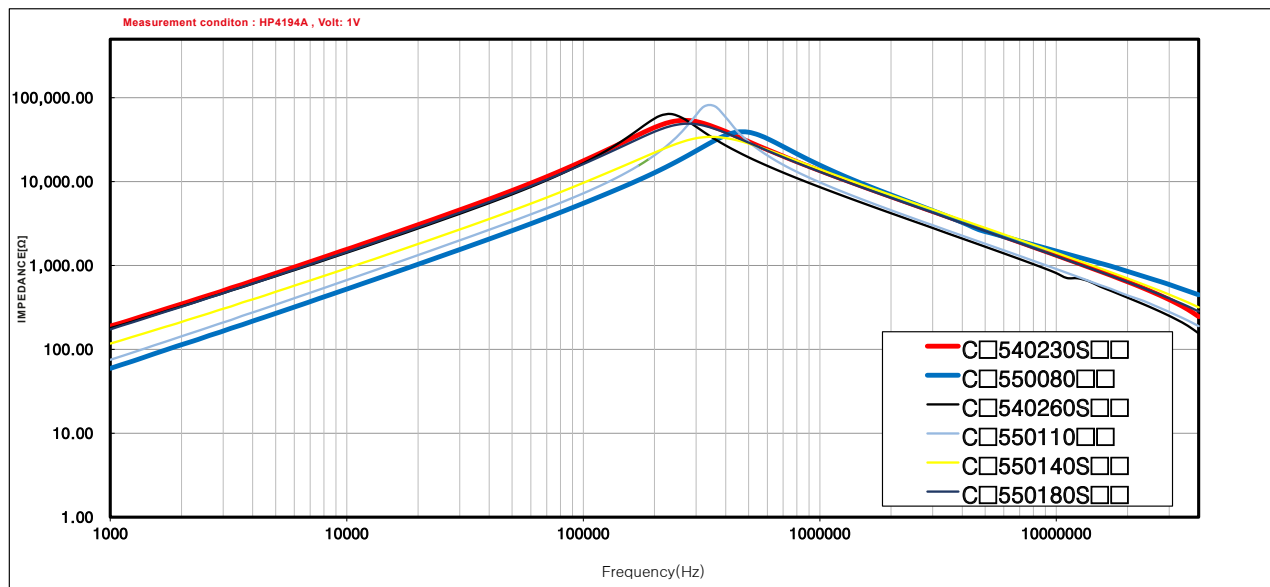
■ PART NUMBER AND SPECIFICATIONS

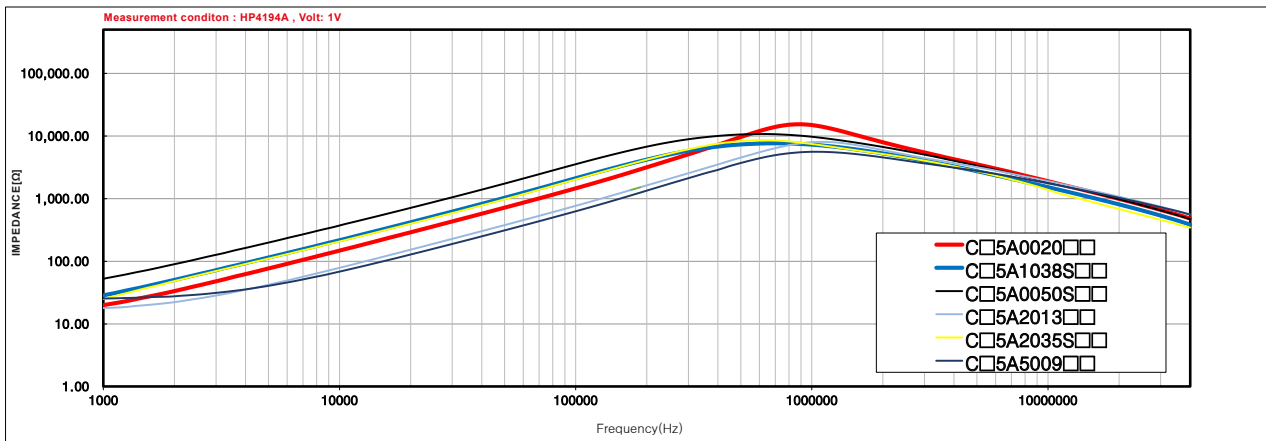
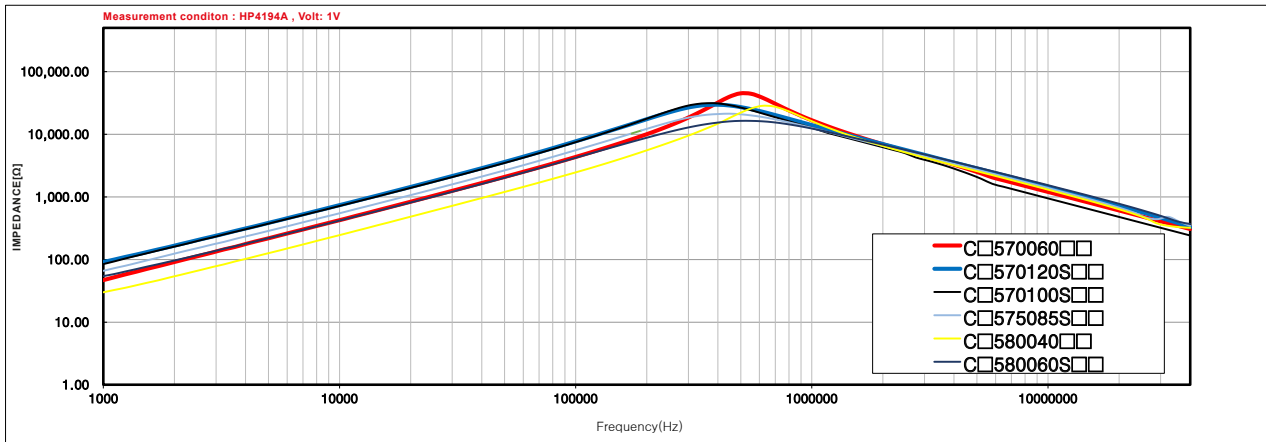
Part No.	Rated current(A)	Inductance(mH)	DC R(mΩ)	Rated Voltage(V)
C□530400S□□	3.0	40.0	161	300
C□535140□□	3.5	14.0	143	300
C□540230S□□	4.0	23.0	85	300
C□540260S□□	4.0	26.0	91	300
C□550080□□	5.0	8.0	77	300
C□550110□□	5.0	11.0	78	300
C□550140S□□	5.0	14.0	46	300
C□550180S□□	5.0	18.0	67	300
C□570060□□	7.0	6.0	46	300
C□570100S□□	7.0	10.0	46	300
C□570120S□□	7.0	12.0	35	300
C□575085S□□	7.5	8.5	39	300
C□580040□□	8.0	4.0	33	300
C□580060S□□	8.0	6.0	28	300
C□5A0020□□	10.0	2.0	23	300
C□5A0050S□□	10.0	5.0	20	300
C□5A1038S□□	11.0	3.8	16	300
C□5A2013□□	12.0	1.3	14	300
C□5A2035S□□	12.0	3.5	14	300
C□5A5009□□	15.0	0.9	10	300
D□550180S□□	5.0	18.0	67	300
D□580080S□□	8.0	8.0	30	300

Notice

- Operating Temperature Range(Ambient Temperature Range and Winding Temperature Rise) : -30°C to 120°C
- Winding Temperature Rise(at Rated Current)is under 55°C
- Rising temperature is affected by PCB condition and an amount of harmonics.
Please make sure that the temperature of the coil is not exceeded the operating temperature range.

- UL94V-0 certified resin used
- Pb-free solder used
- RoHS free
- Custom made Products are also available
- Halogen free available





For safety and the proper usage, you are requested to approve our product specification
 This contents subject to change without advance notice. Please check with our sales or R&D before ordering.

■ SHAPE AND DIMENSION

Fig.1 CV5K- SERIES

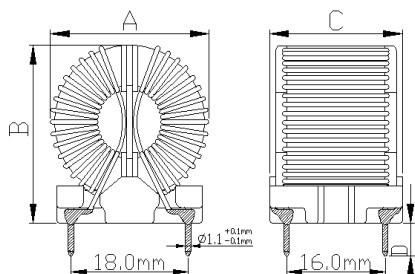


Fig.2 CV5A- SERIES

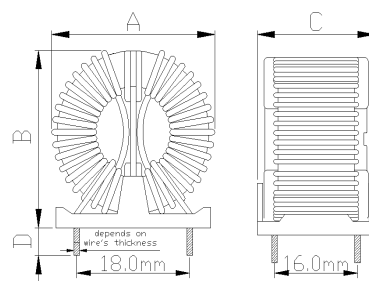
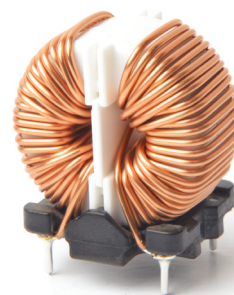
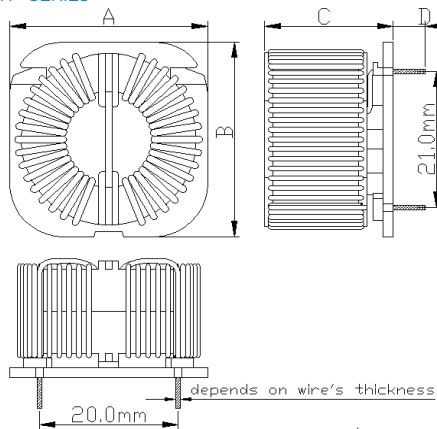


Fig.3 CH5H- SERIES



MODEL TYPE	A(mm)	B(mm)	C(mm)	D(mm)
CV5K(FIG.1)	33.0	35.0	25.0	4.0±1.0
CV5A(FIG.2)	33.0	35.0	25.0	4.0±1.0
CH5H(FIG.3)	35.0	35.0	25.0	4.0±1.0

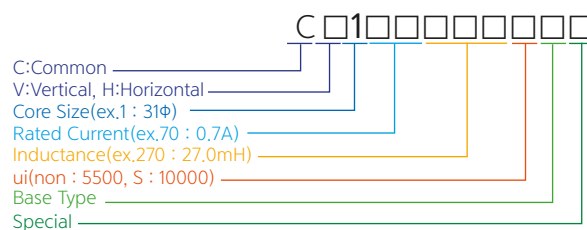
For safety and the proper usage, you are requested to approve our product specification
 This contents subject to change without advance notice. Please check with our sales or R&D before ordering.

Common

31Φ-SERIES



■ PRODUCT NAME MEANING

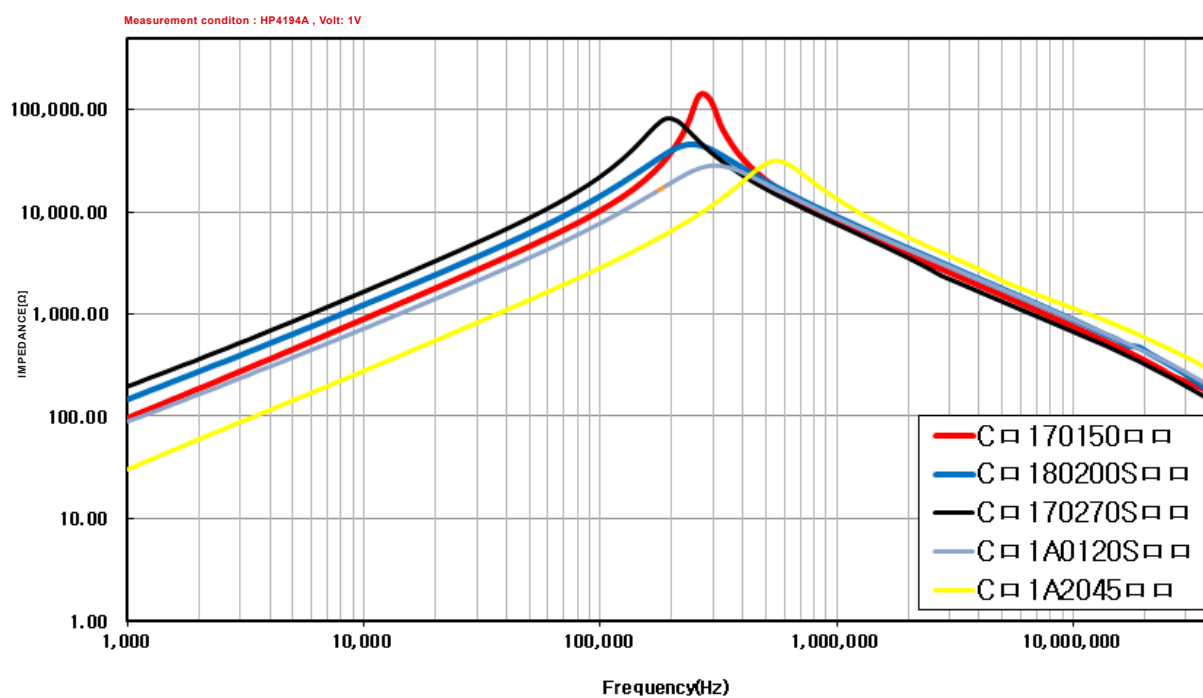


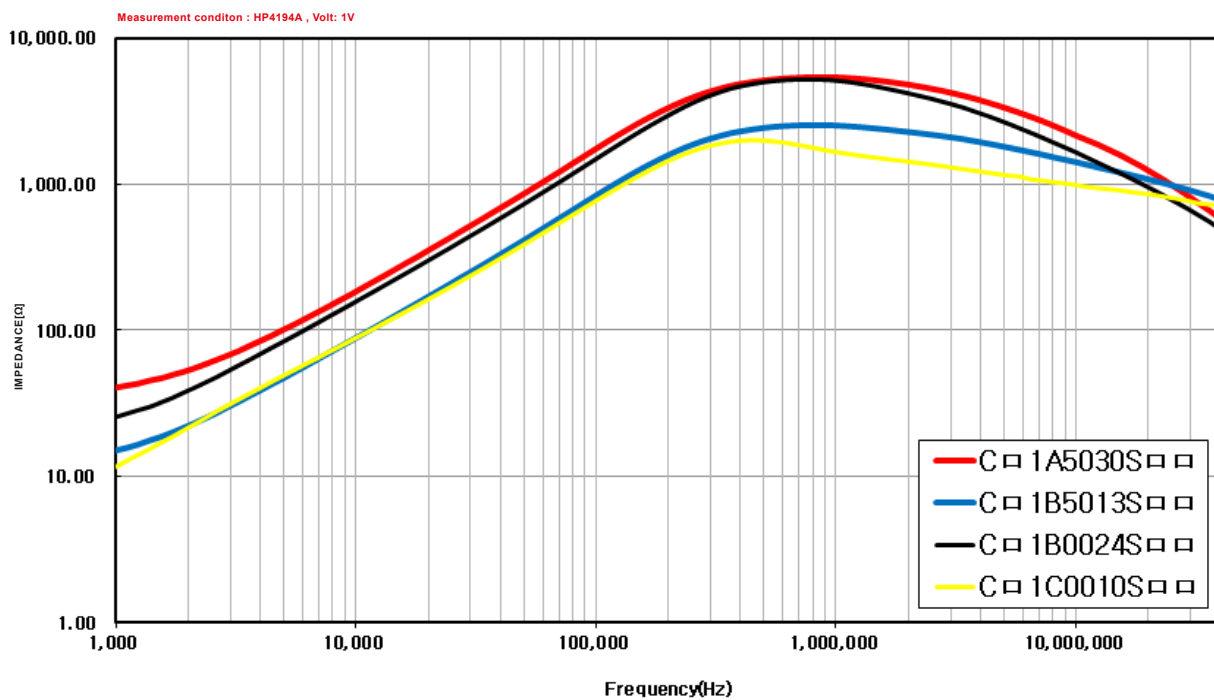
■ PART NUMBER AND SPECIFICATIONS

Part No.	Rated current(A)	Inductance(mH)	DC R(mΩ)	Rated Voltage(V)
C □ 170150 □ □	7.0	15.0	48	300
C □ 170270S □ □	7.0	27.0	60	300
C □ 180200S □ □	8.0	20.0	44	300
C □ 1A0120S □ □	10.0	12.0	26	300
C □ 1A2045 □ □	12.0	4.5	15	300
C □ 1A5030S □ □	15.0	3.0	13	300
C □ 1B0024S □ □	20.0	2.4	7	300
C □ 1B5013S □ □	25.0	1.3	6	300
C □ 1C0010S □ □	30.0	1.0	4	300

Notice

- Operating Temperature Range(Ambient Temperature Range and Winding Temperature Rise) : -30°C to 120°C
- Winding Temperature Rise(at Rated Current)is under 55°C
- Rising temperature is affected by PCB condition and an amount of harmonics.
Please make sure that the temperature of the coil is not exceeded the operating temperature range.
- UL94V-0 certified resin used
- Pb-free solder used
- RoHS free
- Custom made Products are also available
- Halogen free available





For safety and the proper usage, you are requested to approve our product specification
 This contents subject to change without advance notice. Please check with our sales or R&D before ordering.

■ SHAPE AND DIMENSION

Fig.1 CV1A- SERIES

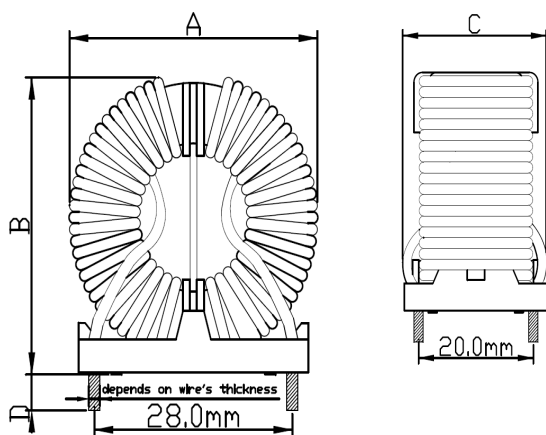
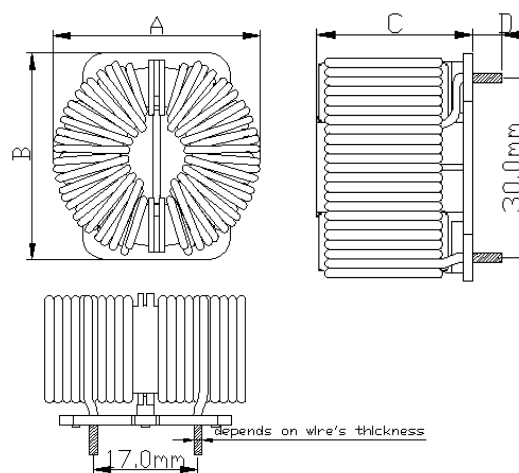


Fig.2 CH1H- SERIES



MODEL TYPE	A(mm)	B(mm)	C(mm)	D(mm)
CV1A(FIG.1)	43.0	43.0	28.0	4.0±1.0
CH1H(FIG.2)	42.0	40.0	30.0	4.0±1.0

For safety and the proper usage, you are requested to approve our product specification
 This contents subject to change without advance notice. Please check with our sales or R&D before ordering.

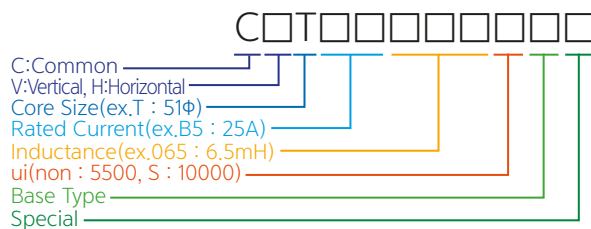
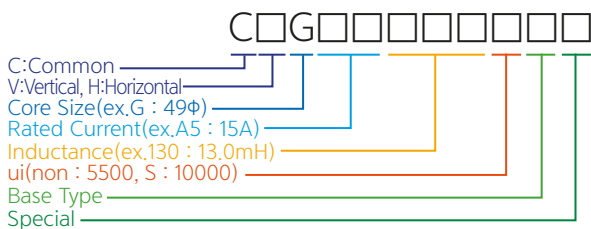
Common

49Φ,51Φ-SERIES



TNC_COMMON

PRODUCT NAME MEANING



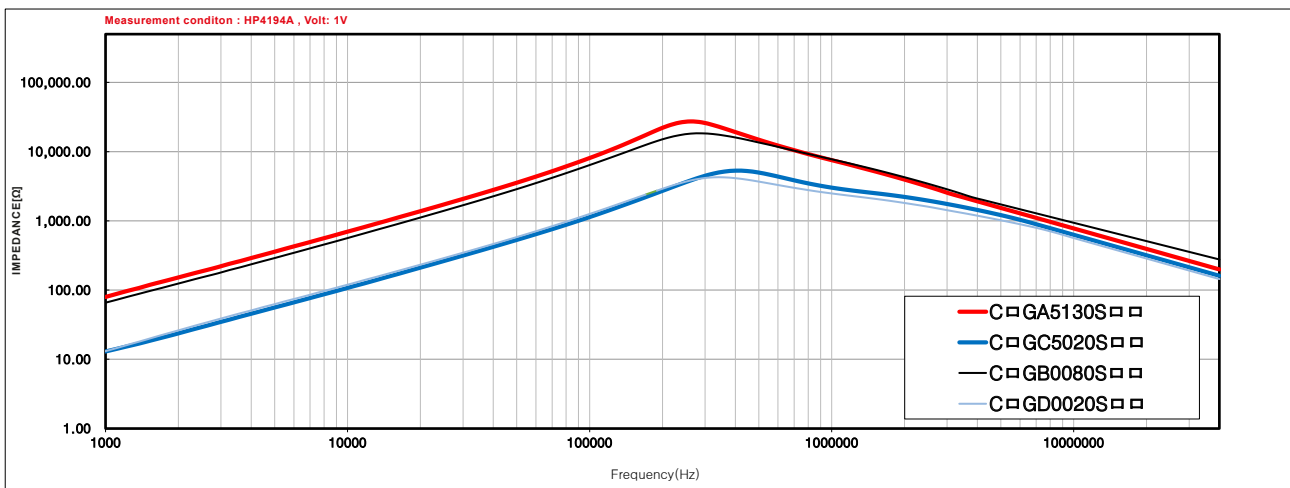
PART NUMBER AND SPECIFICATIONS

Part No.	Rated current(A)	Inductance (mH)	DCR (mΩ)	Rated Voltage(V)
C □ GA5130S □ □	15.0	13.0	14	300
C □ GB0080S □ □	20.0	8.0	11	300
C □ GC5020S □ □	35.0	2.0	3.5	300
C □ GD0020S □ □	40.0	2.0	3	300

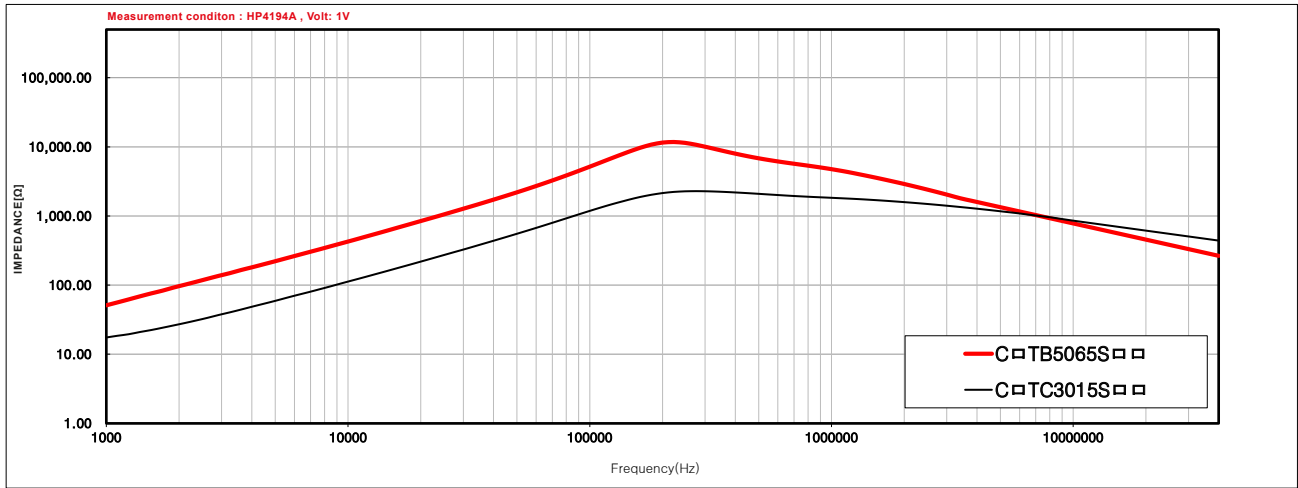
Part No.	Rated current(A)	Inductance(mH)	DCR (mΩ)	Rated Voltage(V)
C □ TB5065S □ □	25.0	6.5	10	300
C □ TC3015S □ □	33.0	1.5	6	300

Notice

- Operating Temperature Range(Ambient Temperature Range and Winding Temperature Rise) : -30°C to 120°C
- Winding Temperature Rise(at Rated Current)is under 55°C
- Rising temperature is affected by PCB condition and an amount of harmonics.
Please make sure that the temperature of the coil is not exceeded the operating temperature range.
- UL94V-0 certified resin used
- Pb-free solder used
- RoHS free
- Custom made Products are also available
- Halogen free available



For safety and the proper usage, you are requested to approve our product specification
This contents subject to change without advance notice. Please check with our sales or R&D before ordering.



■ SHAPE AND DIMENSION

Fig.1 CVGA- SERIES

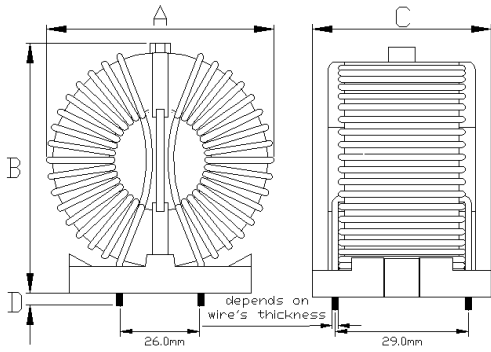


Fig.2 CVGB- SERIES

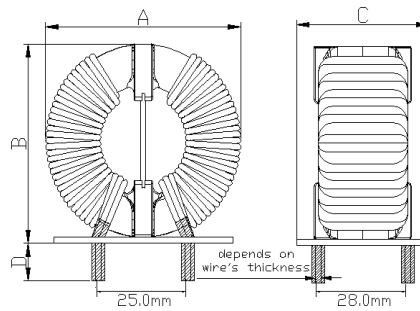


Fig.3 CHGH- SERIES

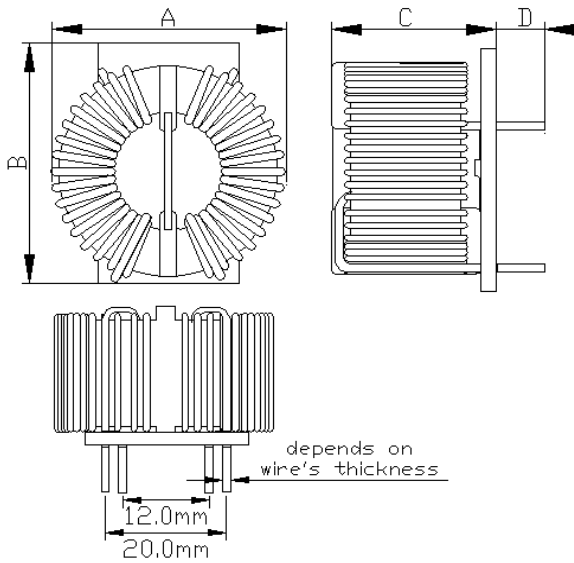
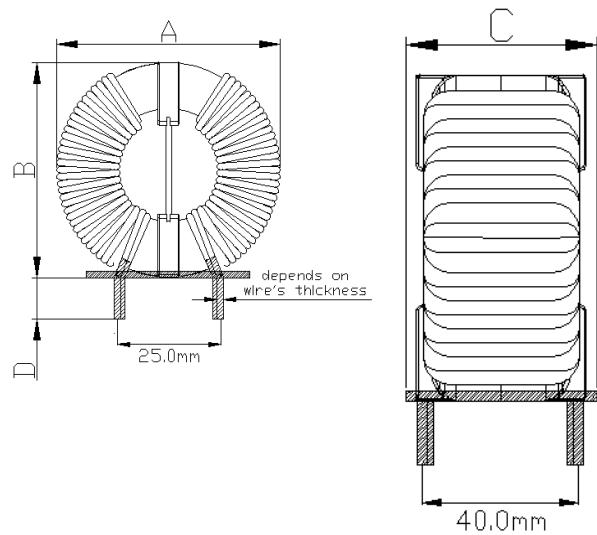


Fig.4 CVTJ- SERIES

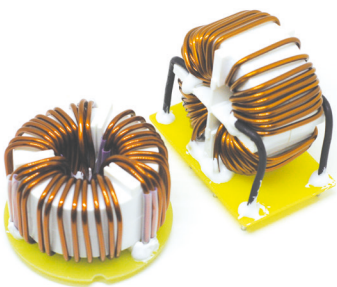


MODEL TYPE	A(mm)	B(mm)	C(mm)	D(mm)
CVGA(FIG.1)	65.0	65.0	40.0	5.0±2.0
CVGB(FIG.2)	62.0	60.0	38.0	5.0±2.0
CHGH(FIG.3)	70.0	65.5	40.0	5.0±2.0
CVTJ(FIG.4)	70.0	70.0	50.0	5.0±2.0

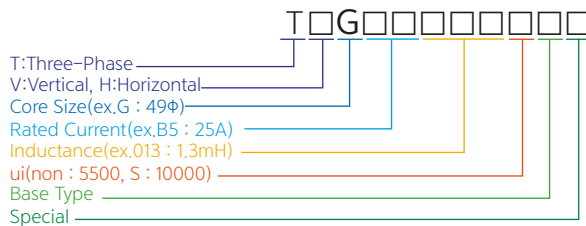
For safety and the proper usage, you are requested to approve our product specification
This contents subject to change without advance notice. Please check with our sales or R&D before ordering.

Common

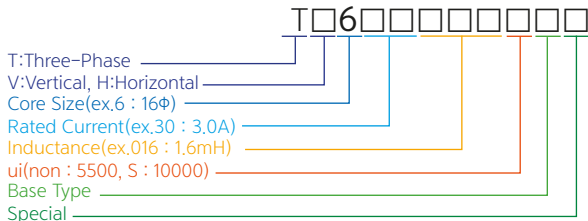
3상COIL-SERIES



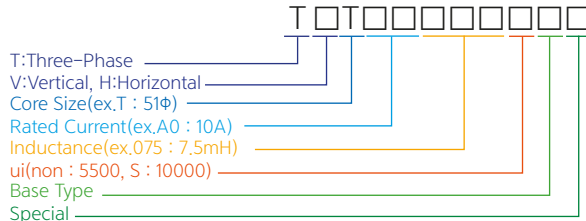
PRODUCT NAME MEANING



PRODUCT NAME MEANING



PRODUCT NAME MEANING



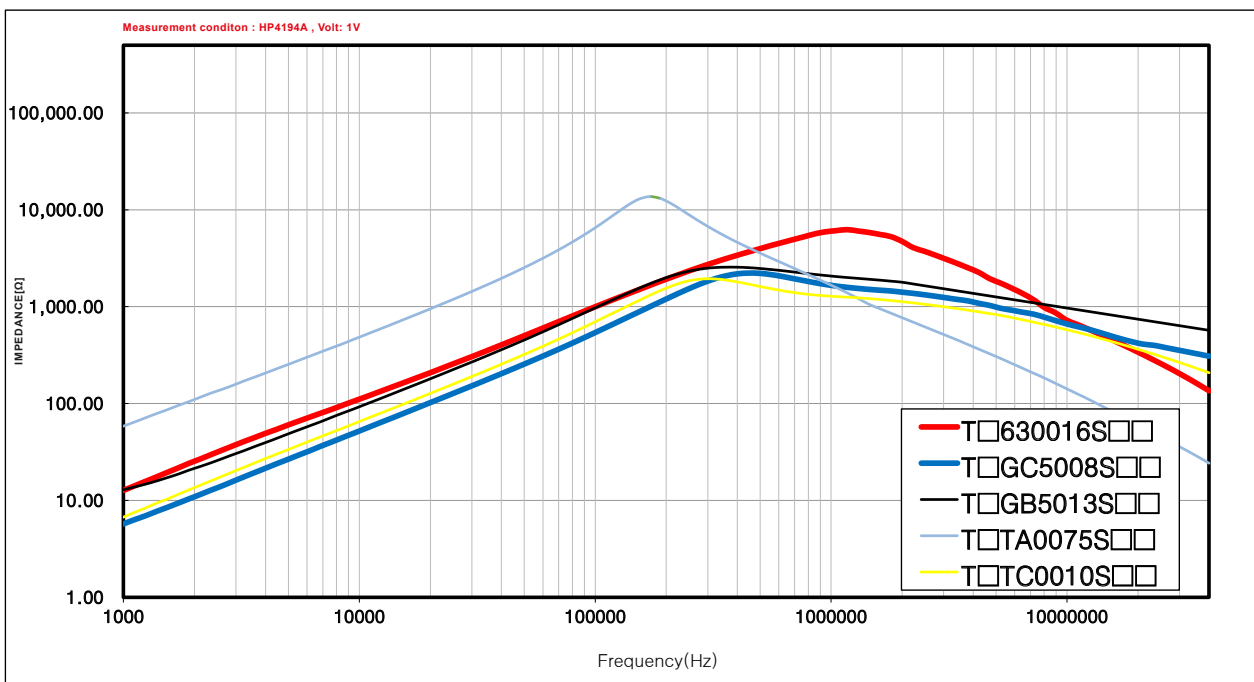
PART NUMBER AND SPECIFICATIONS

Part No.	Rated current(A)	Inductance(mH)	DC R(mΩ)	Rated Voltage(V)
T□630016S□□	3.0	1.6	60	450
T□GB5013S□□	25.0	1.3	5	450
T□GC5008S□□	35.0	0.8	2	450
T□TA0075S□□	10.0	(1KHz) 3.5MIN	22	450
T□TC0010S□□	30.0	(100KHz) 1.2	3	450

Notice

- Operating Temperature Range(Ambient Temperature Range and Winding Temperature Rise) : -30°C to 120°C
- Winding Temperature Rise(at Rated Current)is under 55°C
- Rising temperature is affected by PCB condition and an amount of harmonics.
- Please make sure that the temperature of the coil is not exceeded the operating temperature range.

- UL94V-0 certified resin used
- Pb-free solder used
- RoHS free
- Custom made Products are also available
- Halogen free available



For safety and the proper usage, you are requested to approve our product specification
 This contents subject to change without advance notice. Please check with our sales or R&D before ordering.

TNC_COMMON

■ SHAPE AND DIMENSION

Fig.1 TV6A- SERIES

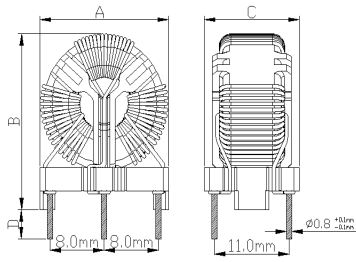


Fig.2 TVGN- SERIES

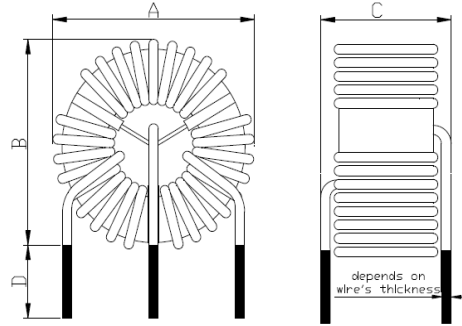


Fig.3 THGN- SERIES

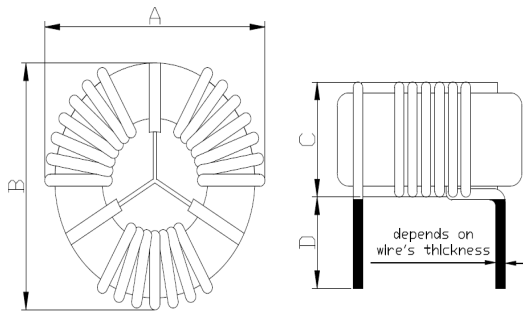


Fig.4 TVTE- SERIES

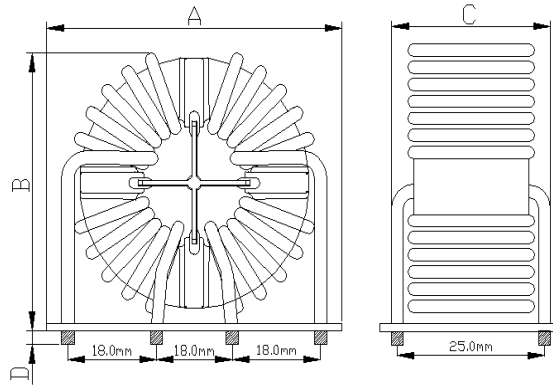


Fig.5 TVTB- SERIES

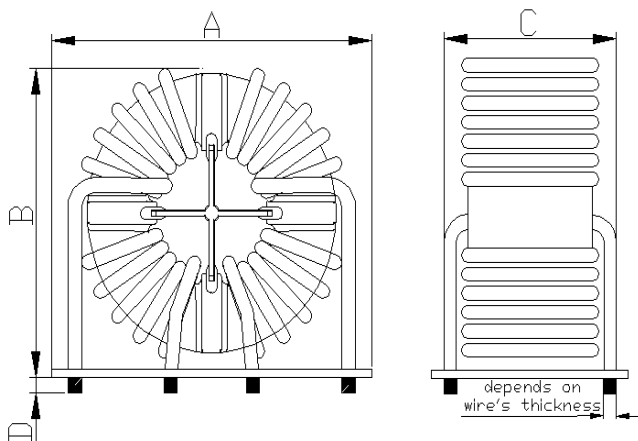
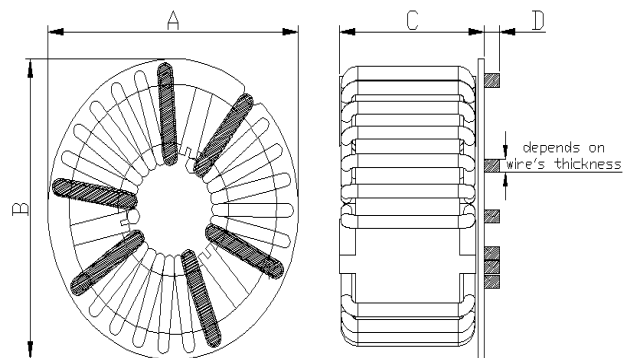


Fig.6 THTA- SERIES

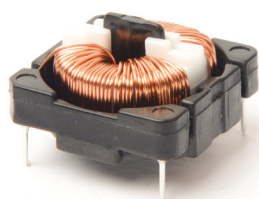


MODEL TYPE	A(mm)	B(mm)	C(mm)	D(mm)
TV6A(FIG.1)	22.0	27.0	17.0	4.0±1.0
TVGN(FIG.2)	65.0	65.0	40.0	15.0±5.0
THGN(FIG.3)	65.0	65.0	35.0	20.0±5.0
TVTE(FIG.4)	70.5	65.0	35.5	4.0±1.0
TVTb(FIG.5)	72.0	65.0	47.0	4.0±1.0
THTA(FIG.6)	68.0	68.0	43.0	4.0±1.0

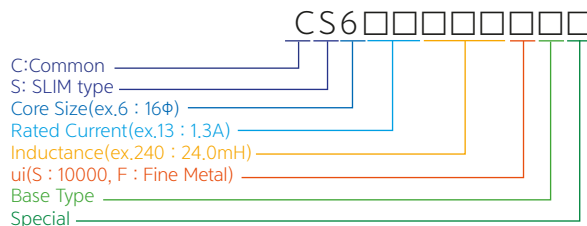
For safety and the proper usage, you are requested to approve our product specification
This contents subject to change without advance notice. Please check with our sales or R&D before ordering.

Common

SLIM 16Φ-SERIES



PRODUCT NAME MEANING

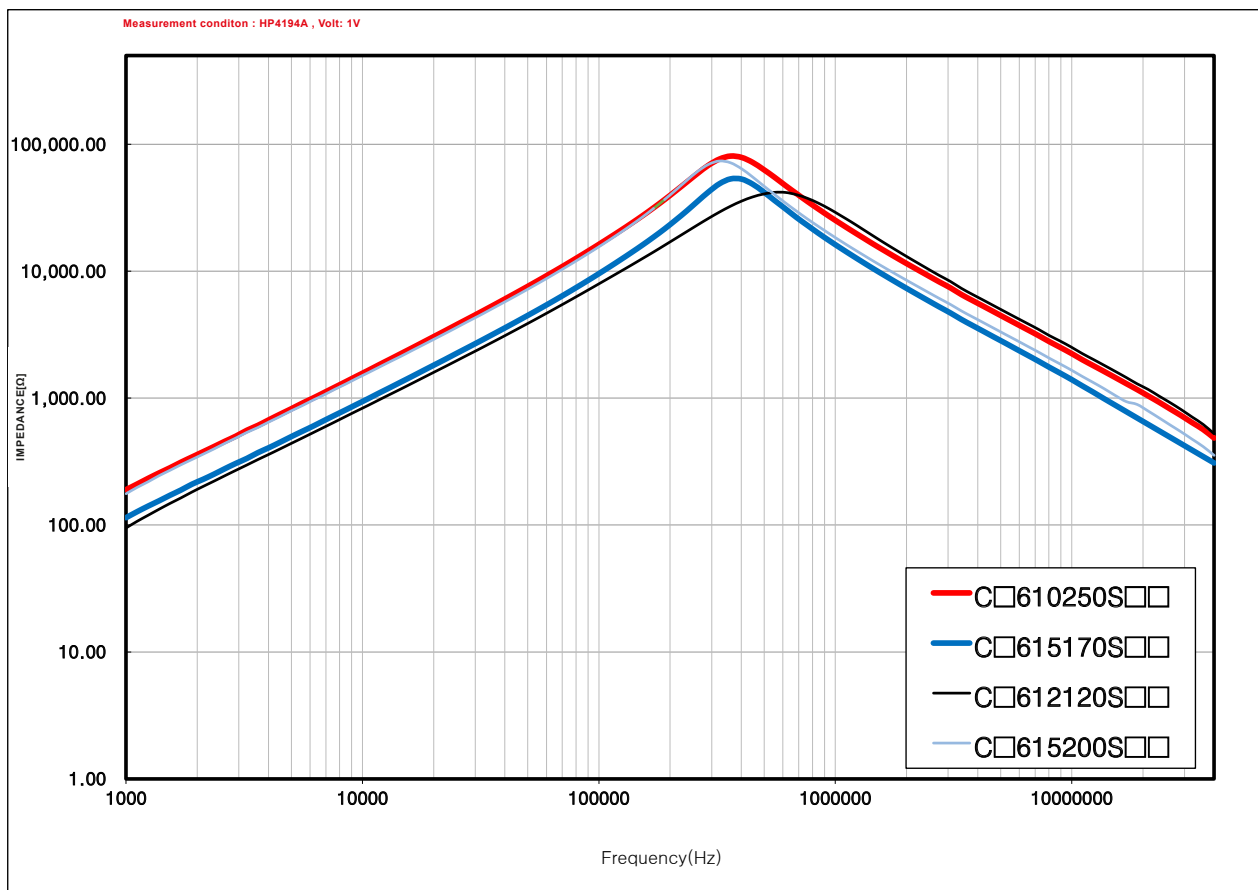


PART NUMBER AND SPECIFICATIONS

Part No.	Rated current(A)	Inductance(mH)	DC R(mΩ)	Rated Voltage(V)
C□610250S□□	1.0	25.0	350	300
C□612120S□□	1.2	12.0	420	300
C□615170S□□	1.5	17.0	220	300
C□615200S□□	1.5	20.5	275	300

Notice

- Operating Temperature Range(Ambient Temperature Range and Winding Temperature Rise) : -30°C to 120°C
- Winding Temperature Rise(at Rated Current)is under 55°C
- Rising temperature is affected by PCB condition and an amount of harmonics.
Please make sure that the temperature of the coil is not exceeded the operating temperature range.
- UL94V-0 certified resin used
- Pb-free solder used
- RoHS free
- Custom made Products are also available
- Halogen free available



For safety and the proper usage, you are requested to approve our product specification
This contents subject to change without advance notice. Please check with our sales or R&D before ordering.

■ SHAPE AND DIMENSION

Fig.1 CS6H- SERIES

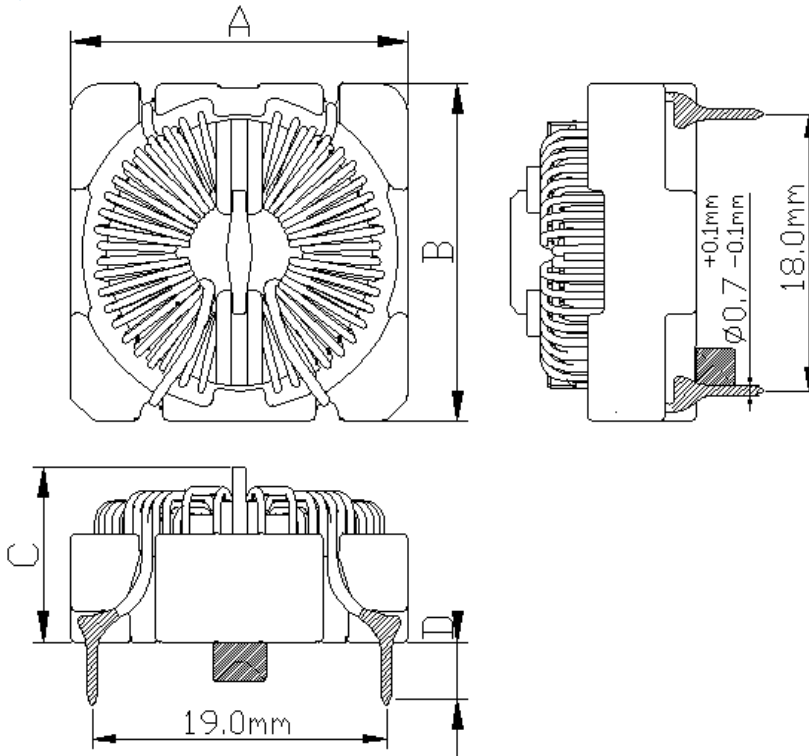
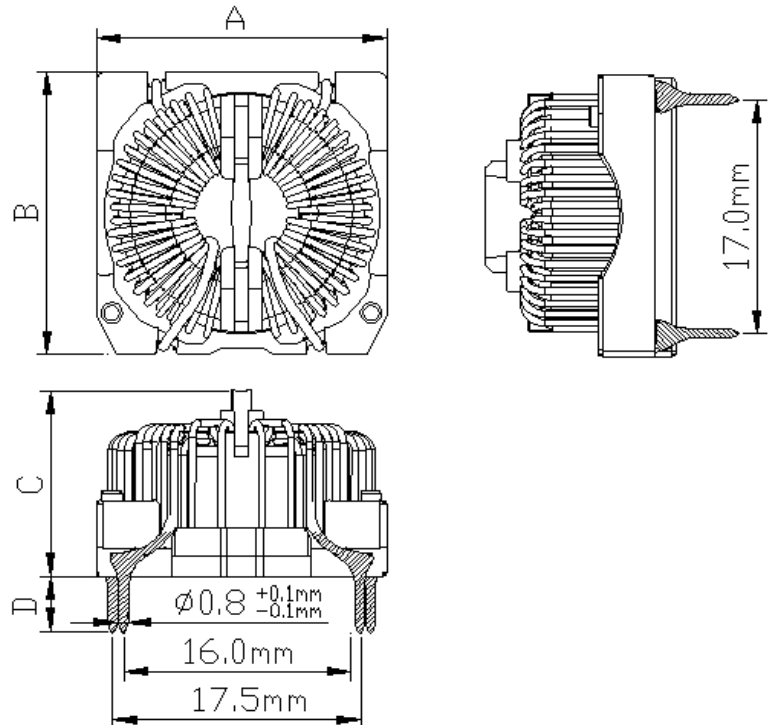


Fig.2 CS6K- SERIES

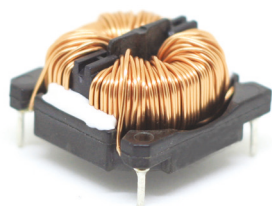


MODEL TYPE	A(mm)	B(mm)	C(mm)	D(mm)
CS6H(FIG.1)	23.0	23.0	13.5	4.0±1.0
CS6K(FIG.2)	21.0	23.0	13.5	4.0±1.0

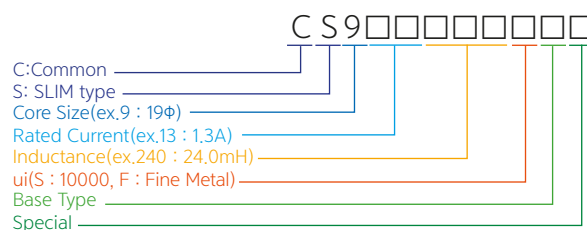
For safety and the proper usage, you are requested to approve our product specification
 This contents subject to change without advance notice. Please check with our sales or R&D before ordering.

Common

SLIM 19Φ-SERIES



■ PRODUCT NAME MEANING

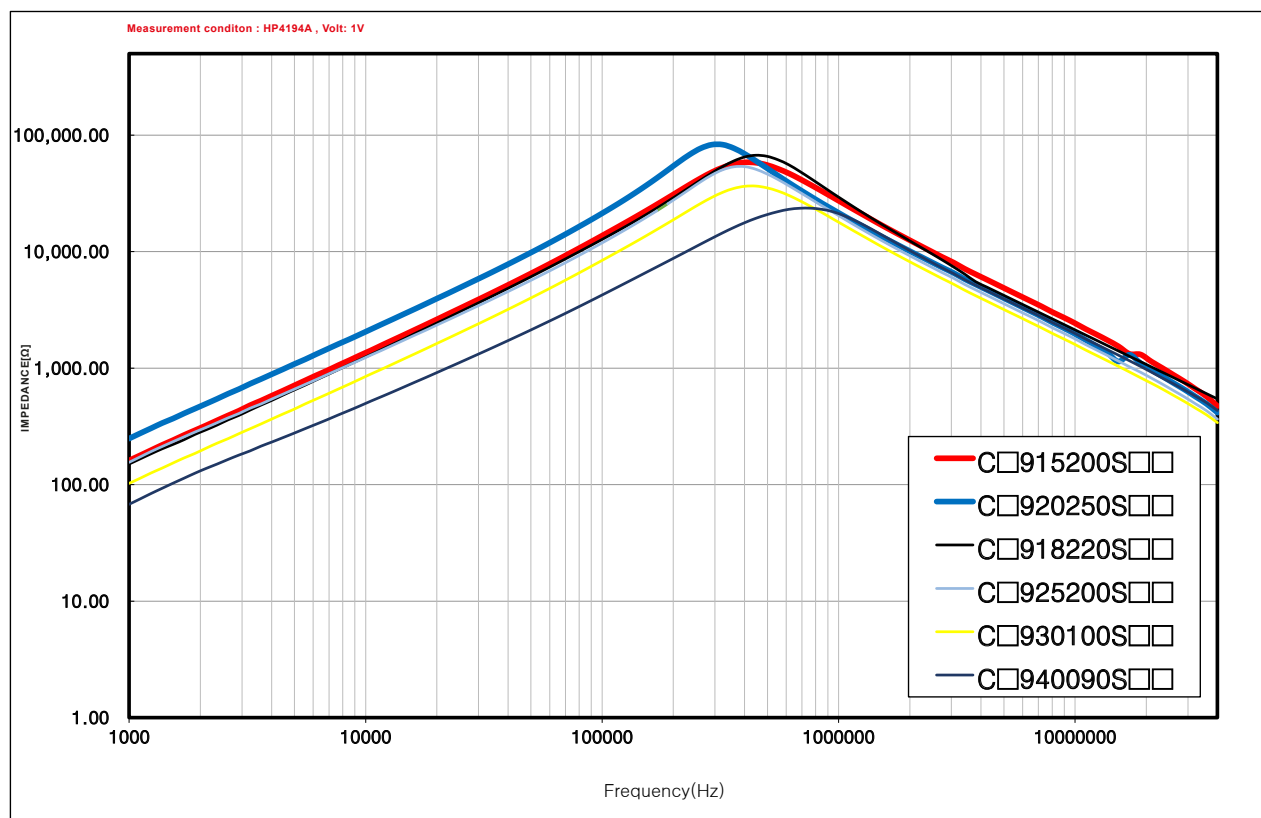


■ PART NUMBER AND SPECIFICATIONS

Part No.	Rated current(A)	Inductance(mH)	DC R(mΩ)	Rated Voltage(V)
C□915200S□□	1.5	20.0	300	300
C□918220S□□	1.8	22.0	235	300
C□920250S□□	2.0	25.0	250	300
C□925200S□□	2.5	20.0	123	300
C□930100S□□	3.0	10.0	80.5	300
C□940090S□□	4.0	9.0	55	300

Notice

- Operating Temperature Range(Ambient Temperature Range and Winding Temperature Rise) : -30°C to 120°C
- Winding Temperature Rise(at Rated Current)is under 55°C
- Rising temperature is affected by PCB condition and an amount of harmonics.
Please make sure that the temperature of the coil is not exceeded the operating temperature range.
- UL94V-0 certified resin used
- Pb-free solder used
- RoHS free
- Custom made Products are also available
- Halogen free available



For safety and the proper usage, you are requested to approve our product specification
This contents subject to change without advance notice. Please check with our sales or R&D before ordering.

■ SHAPE AND DIMENSION

Fig.1 CS9B- SERIES

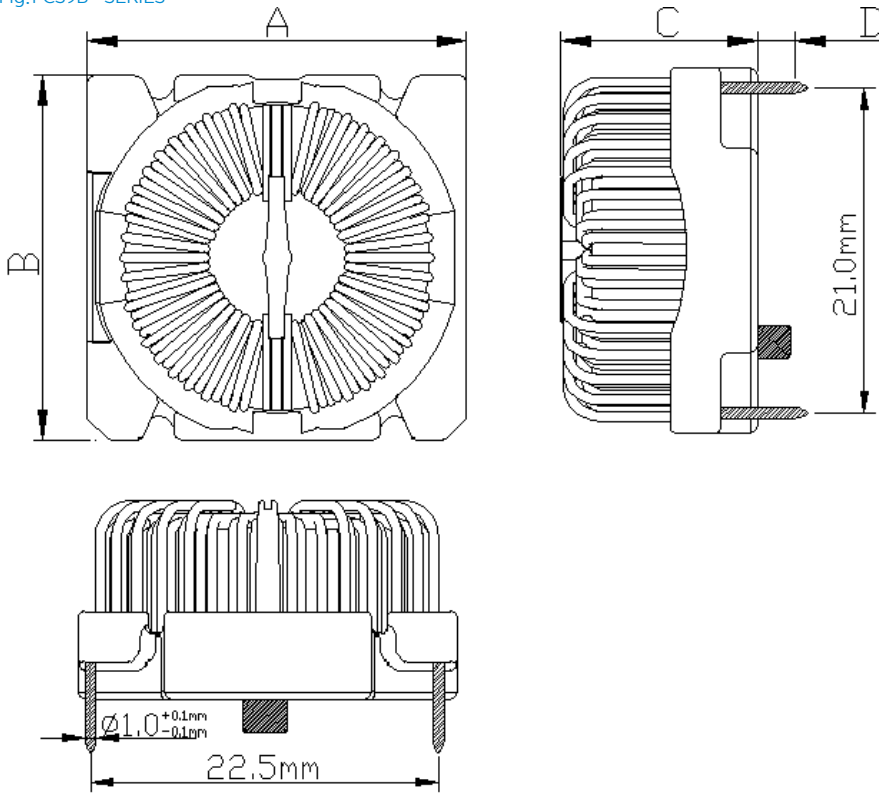
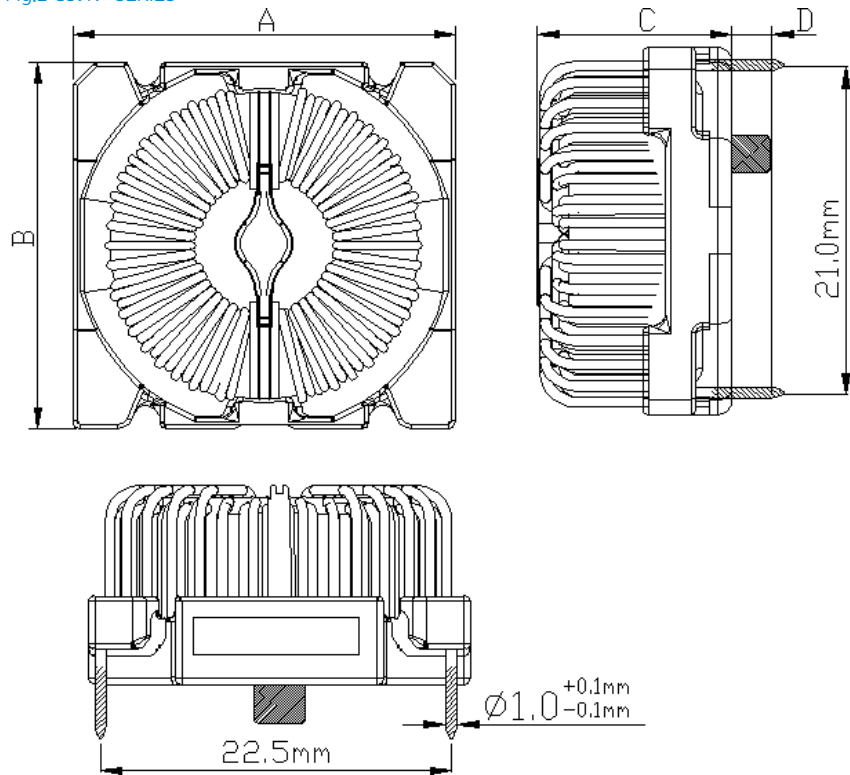


Fig.2 CS9K- SERIES



MODEL TYPE	A(mm)	B(mm)	C(mm)	D(mm)
CS9B(FIG.1)	28.0	27.0	15.0	4.0±1.0
CS9K(FIG.2)	28.0	27.0	13.5	4.0±1.0

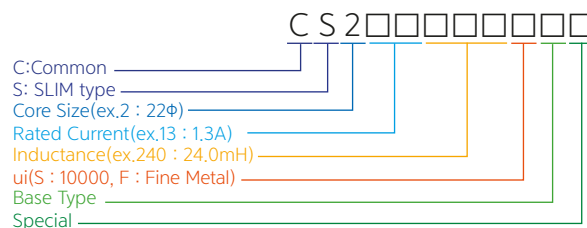
For safety and the proper usage, you are requested to approve our product specification
 This contents subject to change without advance notice. Please check with our sales or R&D before ordering.

Common

SLIM 22Φ-SERIES



■ PRODUCT NAME MEANING



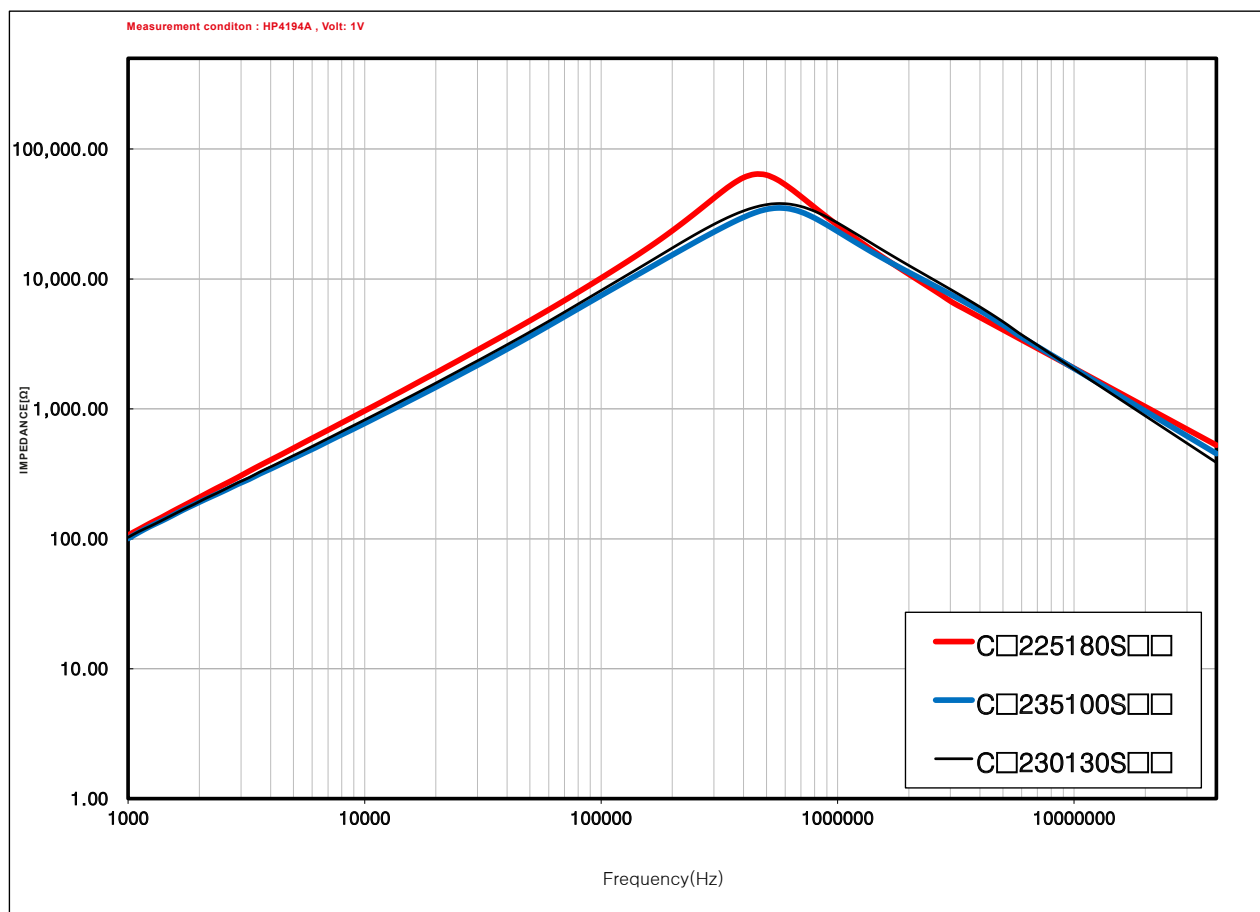
■ PART NUMBER AND SPECIFICATIONS

Part No.	Rated current(A)	Inductance(mH)	DC R(mΩ)	Rated Voltage(V)
C□225180S□□	2.5	18.0	179	300
C□230130S□□	3.0	13.0	126	300
C□235100S□□	3.5	10.0	105	300

Notice

- Operating Temperature Range(Ambient Temperature Range and Winding Temperature Rise) : -30°C to 120°C
- Winding Temperature Rise(at Rated Current)is under 55°C
- Rising temperature is affected by PCB condition and an amount of harmonics.
Please make sure that the temperature of the coil is not exceeded the operating temperature range.

- UL94V-0 certified resin used
- Pb-free solder used
- RoHS free
- Custom made Products are also available
- Halogen free available



For safety and the proper usage, you are requested to approve our product specification
This contents subject to change without advance notice. Please check with our sales or R&D before ordering.

■ SHAPE AND DIMENSION

Fig.1 CS2G- SERIES

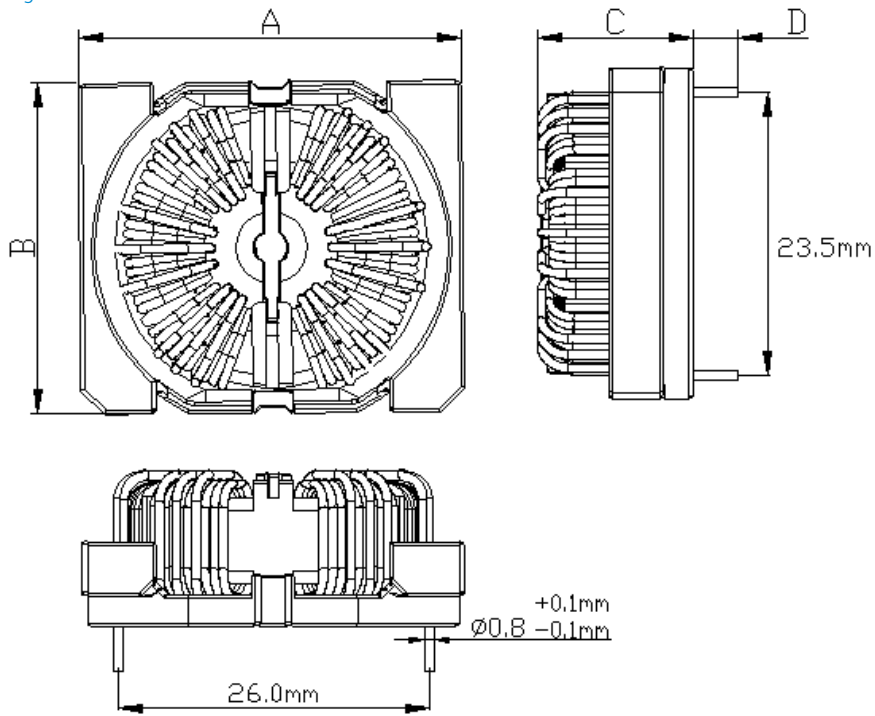
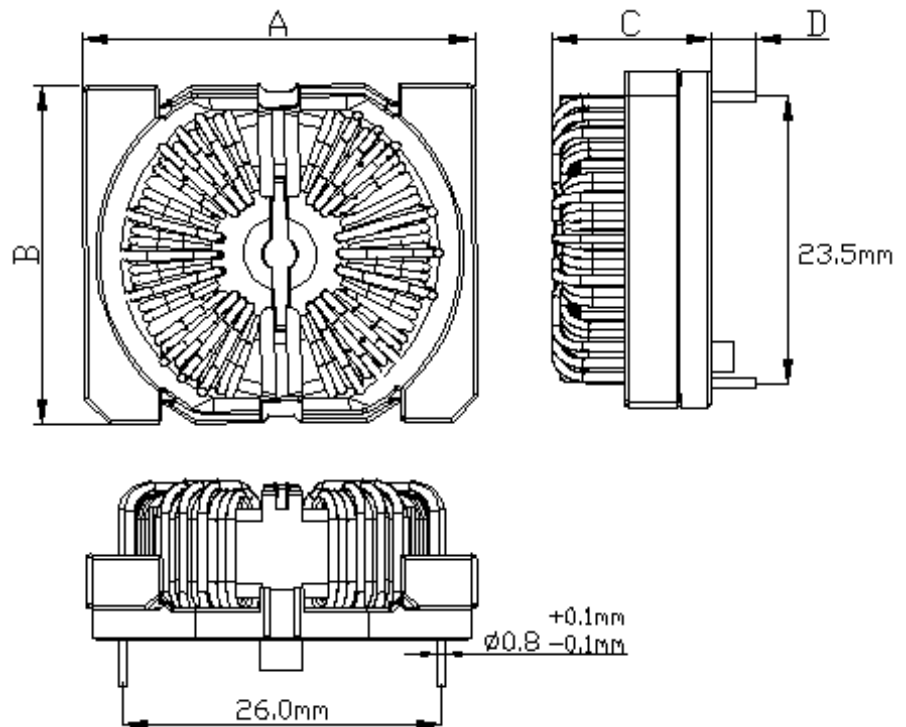


Fig.2 CS2T- SERIES



MODEL TYPE	A(mm)	B(mm)	C(mm)	D(mm)
CS2G(FIG.1)	34.0	30.0	14.0	4.0±1.0
CS2T(FIG.2)	34.0	30.0	14.0	4.0±1.0

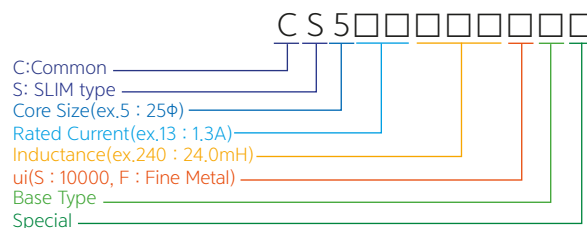
For safety and the proper usage, you are requested to approve our product specification
 This contents subject to change without advance notice. Please check with our sales or R&D before ordering.

Common

SLIM 25Φ-SERIES



■ PRODUCT NAME MEANING

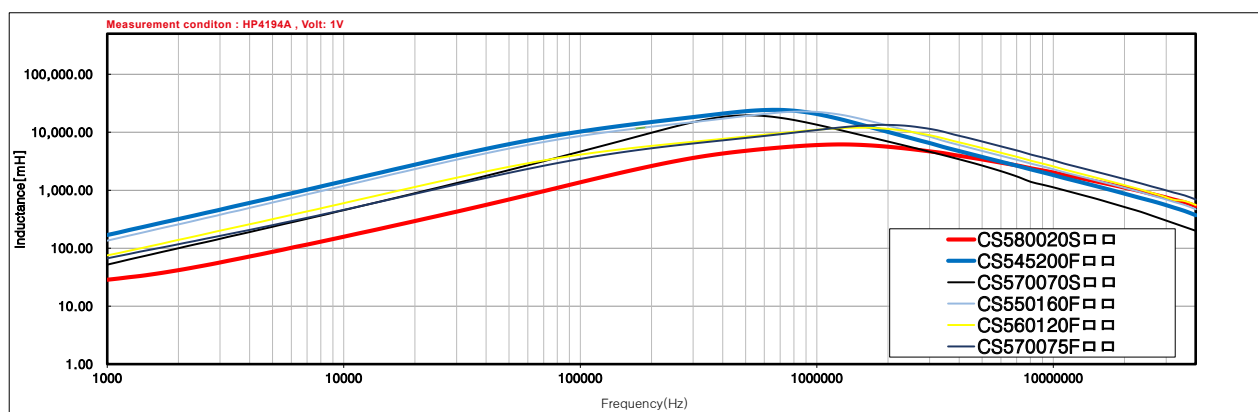
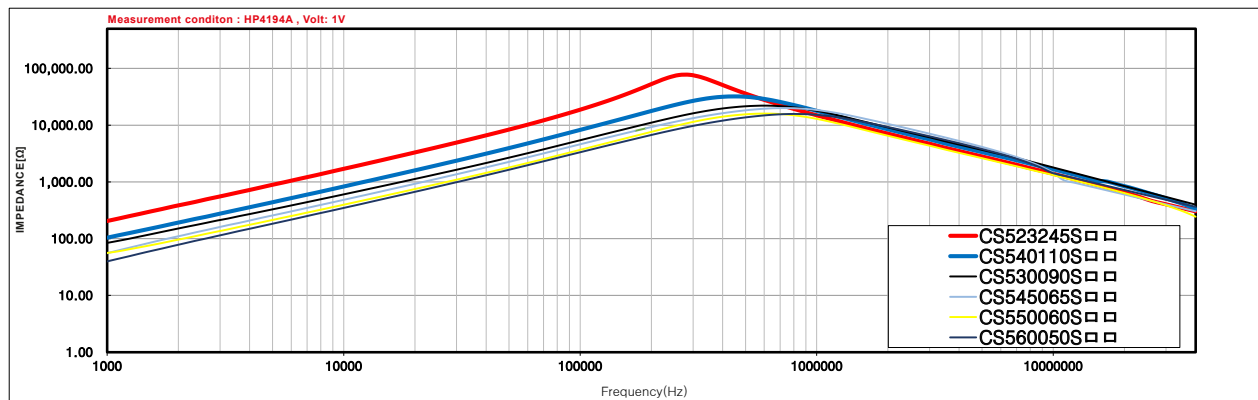


■ PART NUMBER AND SPECIFICATIONS

Part No.	Rated current(A)	Inductance(mH)	DC R(mΩ)	Rated Voltage(V)
C□523245S□□	2.3	24.5	170	300
C□530090S□□	3.0	9.0	107	300
C□540110S□□	4.0	11.0	85	300
C□545065S□□	4.5	6.5	53	300
C□550060S□□	5.0	6.0	61	300
C□560050S□□	6.0	5.0	44	300
C□580020S□□	8.0	2.0	18	300
C□570070S□□	7.0	7.0	37	300
C□545200F□□	4.5	20.0	55	300
C□550160F□□	5.0	16.0	44	300
C□560120F□□	6.0	12.0	30	300
C□570075F□□	7.0	7.5	25	300
C□580080F□□	8.0	8.0	23	300

Notice

- Operating Temperature Range(Ambient Temperature Range and Winding Temperature Rise) : -30°C to 120°C
- Winding Temperature Rise(at Rated Current)is under 55°C
- Rising temperature is affected by PCB condition and an amount of harmonics.
Please make sure that the temperature of the coil is not exceeded the operating temperature range.
- UL94V-0 certified resin used
- Pb-free solder used
- RoHS free
- Custom made Products are also available
- Halogen free available



For safety and the proper usage, you are requested to approve our product specification
This contents subject to change without advance notice. Please check with our sales or R&D before ordering.

■ SHAPE AND DIMENSION

Fig.1 CS5Q- SERIES

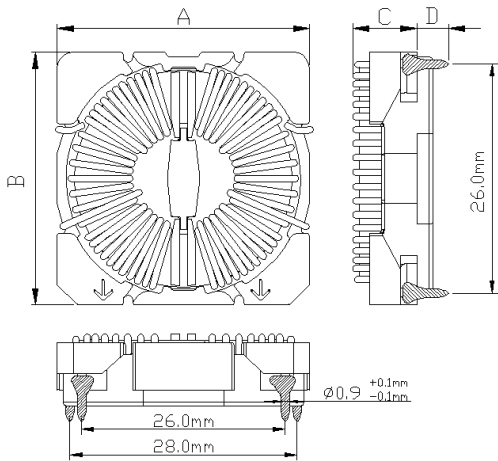


Fig.2 CS5R- SERIES

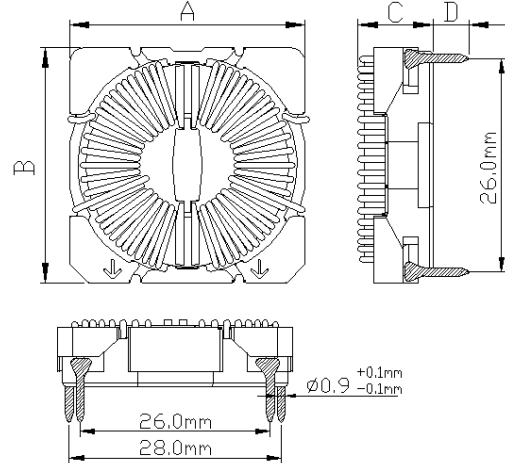


Fig.3 CS5G- SERIES

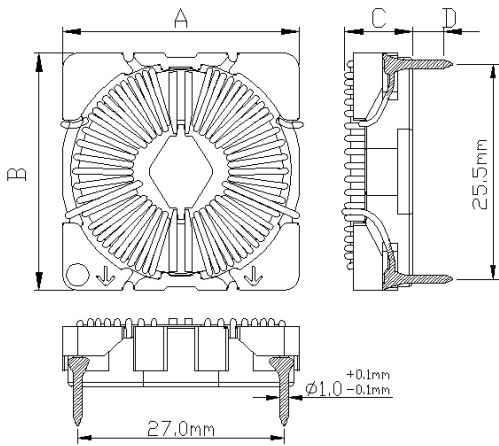


Fig.4 CS5D- SERIES

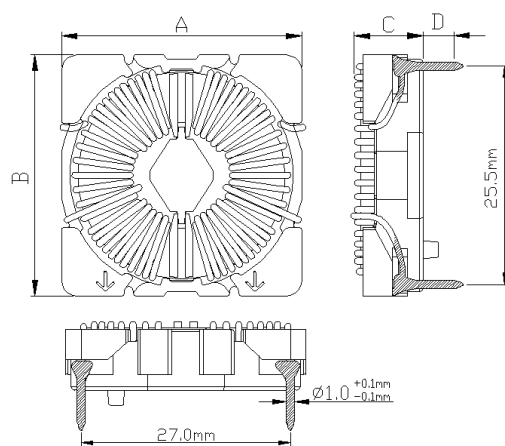


Fig.5 CS5K- SERIES

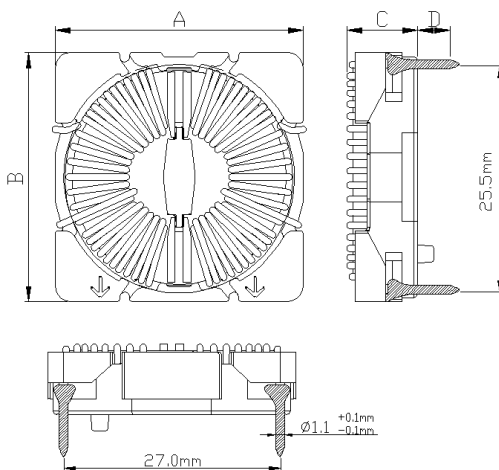
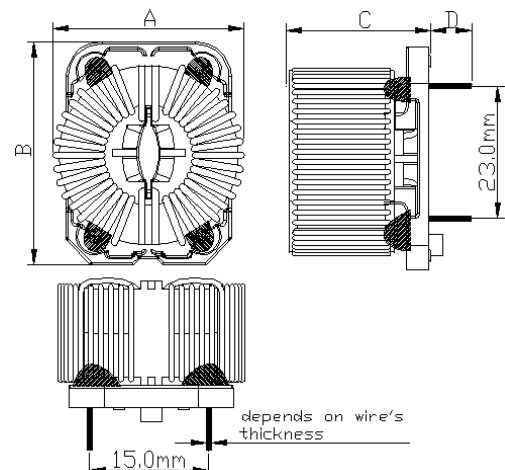


Fig.6 CS5A- SERIES

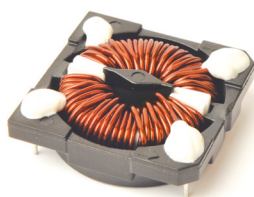


MODEL TYPE	A(mm)	B(mm)	C(mm)	D(mm)
CS5Q(FIG.1)	34.0	33.0	13.0	0.2±0.5
CS5R(FIG.2)	34.0	33.0	13.0	4.0±1.0
CS5G(FIG.3)	34.0	34.0	11.0	4.0±1.0
CS5D(FIG.4)	34.0	34.0	13.0	4.0±1.0
CS5K(FIG.5)	34.0	34.0	13.0	4.0±1.0
CS5A(FIG.6)	33.0	33.0	14.0	4.0±1.0

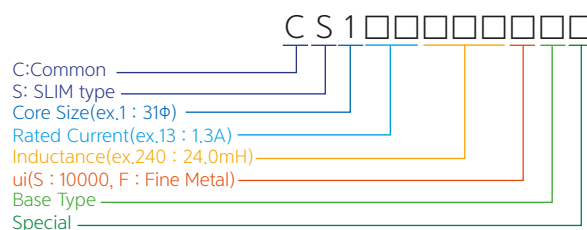
For safety and the proper usage, you are requested to approve our product specification
This contents subject to change without advance notice. Please check with our sales or R&D before ordering.

Common

SLIM 31Φ-SERIES



■ PRODUCT NAME MEANING



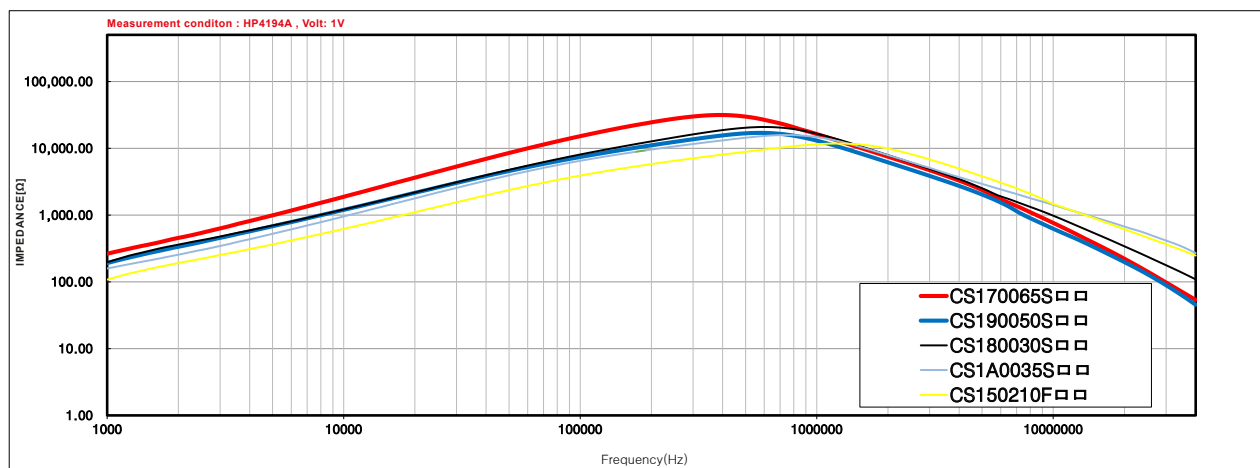
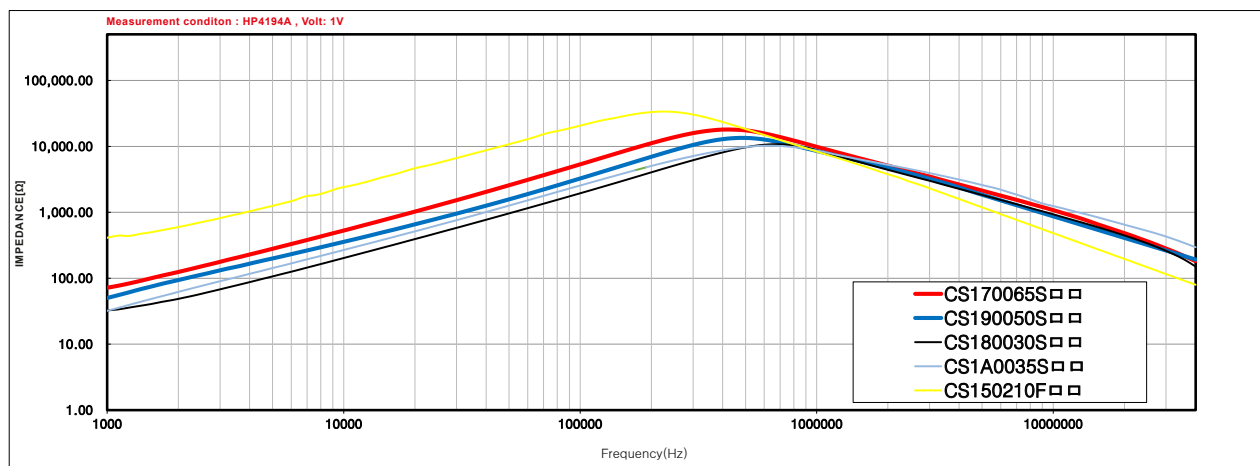
■ PART NUMBER AND SPECIFICATIONS

Part No.	Rated current(A)	Inductance(mH)	DC R(mΩ)	Rated Voltage(V)
C□170065S□□	7.0	6.5	26	300
C□180030S□□	8.0	3.0mH MIN	24	300
C□190050S□□	9.0	5.0	22	300
C□1A0035S□□	10.0	3.5	20	300
C□150210F□□	5.0	21.0	67	300
C□155160F□□	5.5	16.0	58	300
C□170100F□□	7.0	10.0	36	300
C□180080F□□	8.0	8.0	24	300
C□190070F□□	9.0	7.0	21	300
C□1A0050F□□	10.0	5.0	24	300

Notice

- Operating Temperature Range(Ambient Temperature Range and Winding Temperature Rise) : -30°C to 120°C
- Winding Temperature Rise(at Rated Current)is under 55°C
- Rising temperature is affected by PCB condition and an amount of harmonics.
Please make sure that the temperature of the coil is not exceeded the operating temperature range.

- UL94V-0 certified resin used
- Pb-free solder used
- RoHS free
- Custom made Products are also available
- Halogen free available



For safety and the proper usage, you are requested to approve our product specification
This contents subject to change without advance notice. Please check with our sales or R&D before ordering.

■ SHAPE AND DIMENSION

Fig.1 CS1B- SERIES

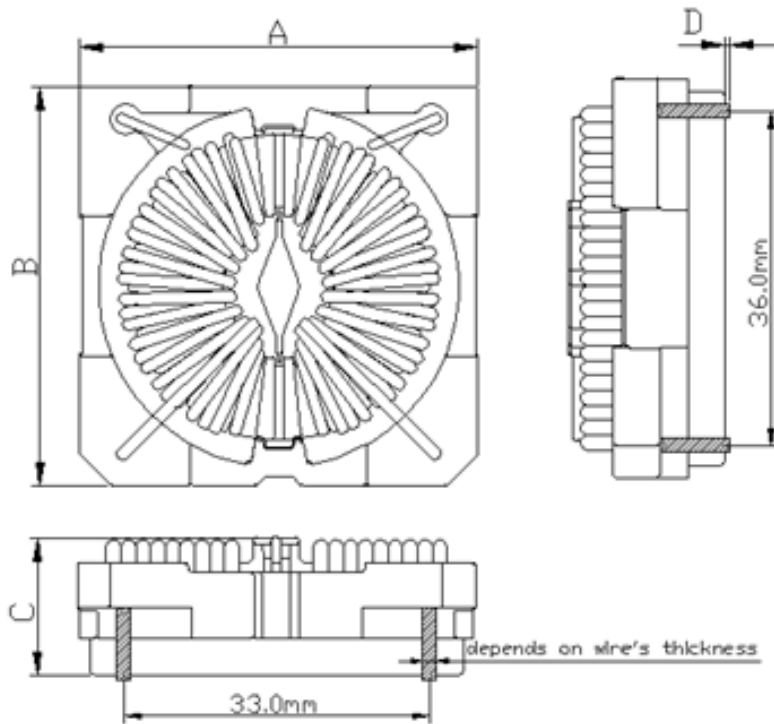
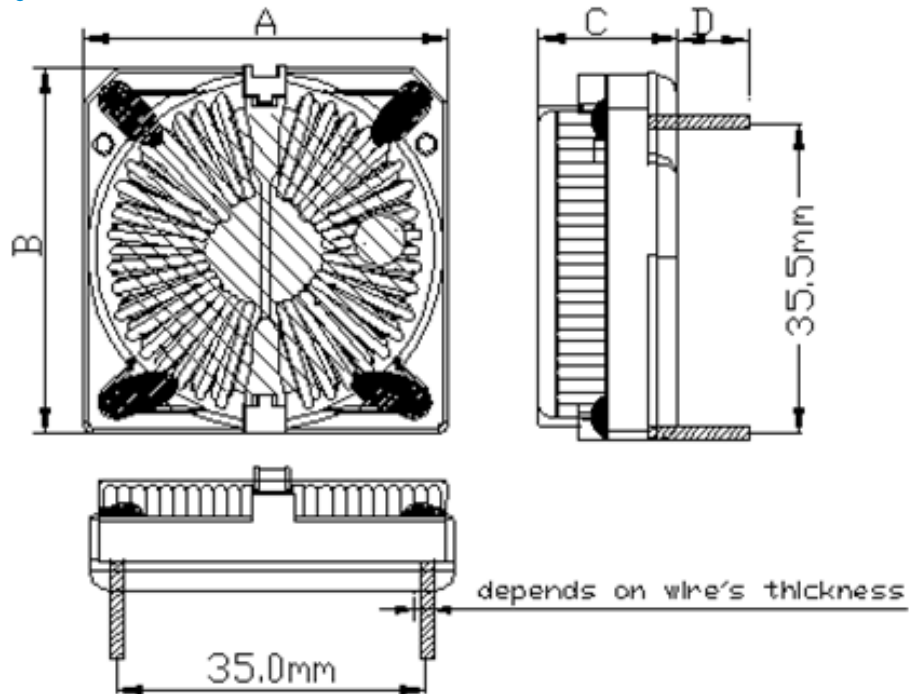


Fig.2 CS1D- SERIES



MODEL TYPE	A(mm)	B(mm)	C(mm)	D(mm)
CS1B(FIG.1)	45.0	45.0	20.0	0.0±0.5
CS1D(FIG.2)	45.0	45.0	20.0	4.0±1.0

For safety and the proper usage, you are requested to approve our product specification
 This contents subject to change without advance notice. Please check with our sales or R&D before ordering.

Common

Hybrid Coil-SERIES



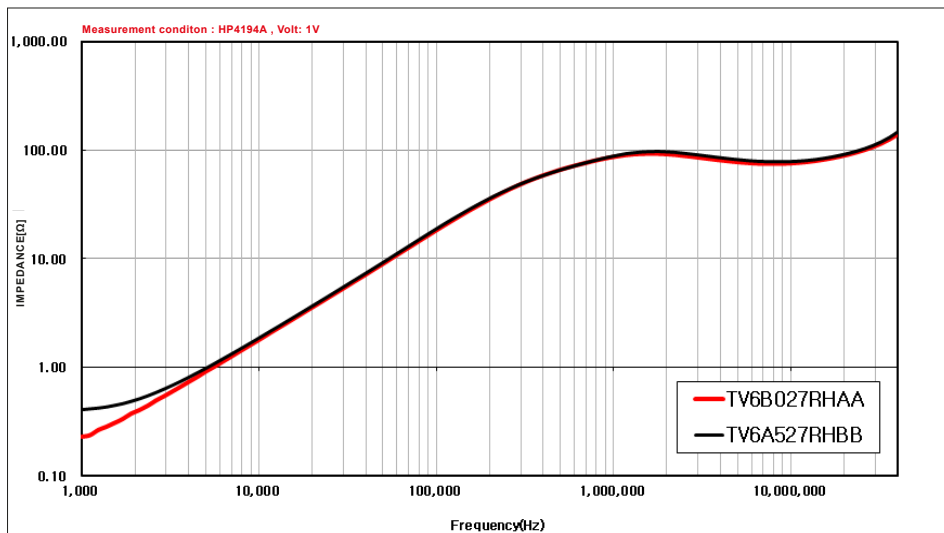
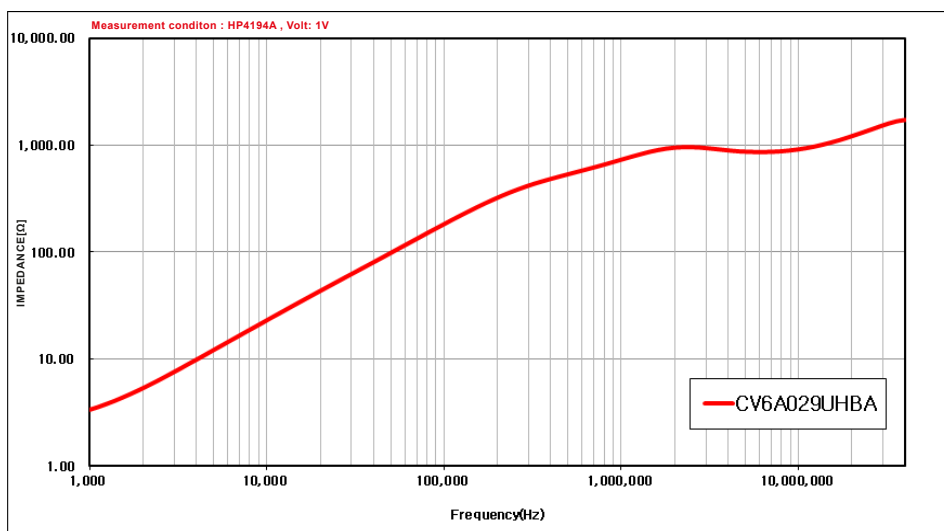
PART NUMBER AND SPECIFICATIONS

Part No.	Rated current(A)	Inductance(uH)	DC R(mΩ)	Rated Voltage(V)
CV6A029UHBA	6.0	150uH MIN	7.5	300

Part No.	Rated current(A)	Inductance(uH)	DC R(mΩ)	Rated Voltage(V)
TV6B027RHAA	20.0	27.0	6.0	300
TV6A527RHBB	15.0	27.0	9.0	300

Notice

- Operating Temperature Range(Ambient Temperature Range and Winding Temperature Rise) : -30°C to 120°C
- Winding Temperature Rise(at Rated Current)is under 55°C
- Rising temperature is affected by PCB condition and an amount of harmonics.
Please make sure that the temperature of the coil is not exceeded the operating temperature range.
- UL94V-0 certified resin used
- Pb-free solder used
- RoHS free
- Custom made Products are also available
- Halogen free available



For safety and the proper usage, you are requested to approve our product specification
This contents subject to change without advance notice. Please check with our sales or R&D before ordering.

■ SHAPE AND DIMENSION

Fig.1 CV6B- SERIES

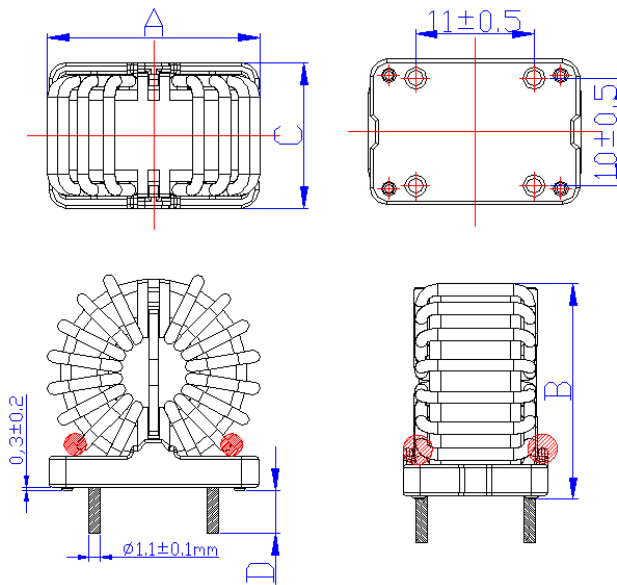


Fig.2 TV6A- SERIES

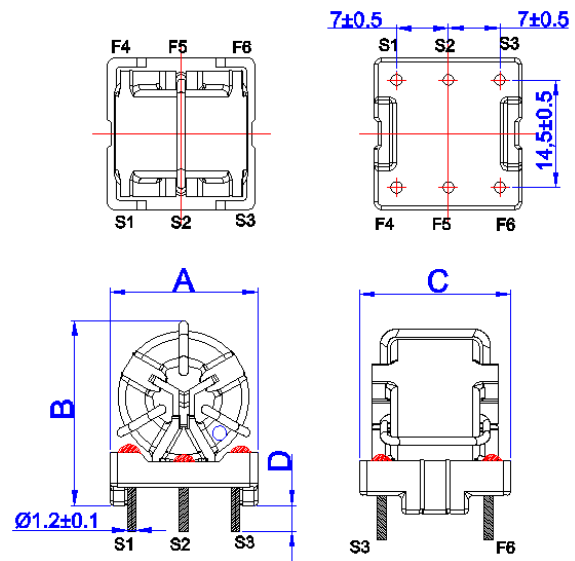
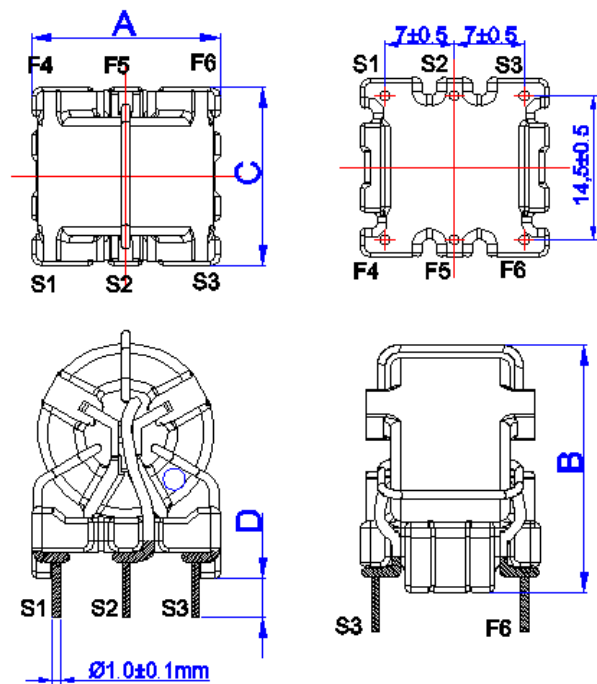


Fig.3 TV6B- SERIES

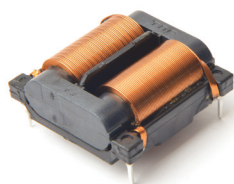


MODEL TYPE	A(mm)	B(mm)	C(mm)	D(mm)
CV6B(FIG.1)	23.0	23.0	14.0	4.0±1.0
TV6A(FIG.2)	23.0	27.0	21.0	4.0±1.0
TV6B(FIG.3)	23.0	27.0	21.0	4.0±1.0

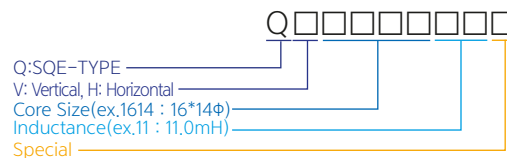
For safety and the proper usage, you are requested to approve our product specification
This contents subject to change without advance notice. Please check with our sales or R&D before ordering.

AUTO FLAT WIRE COIL SERIES

Cover Type Series



■ PRODUCT NAME MEANING

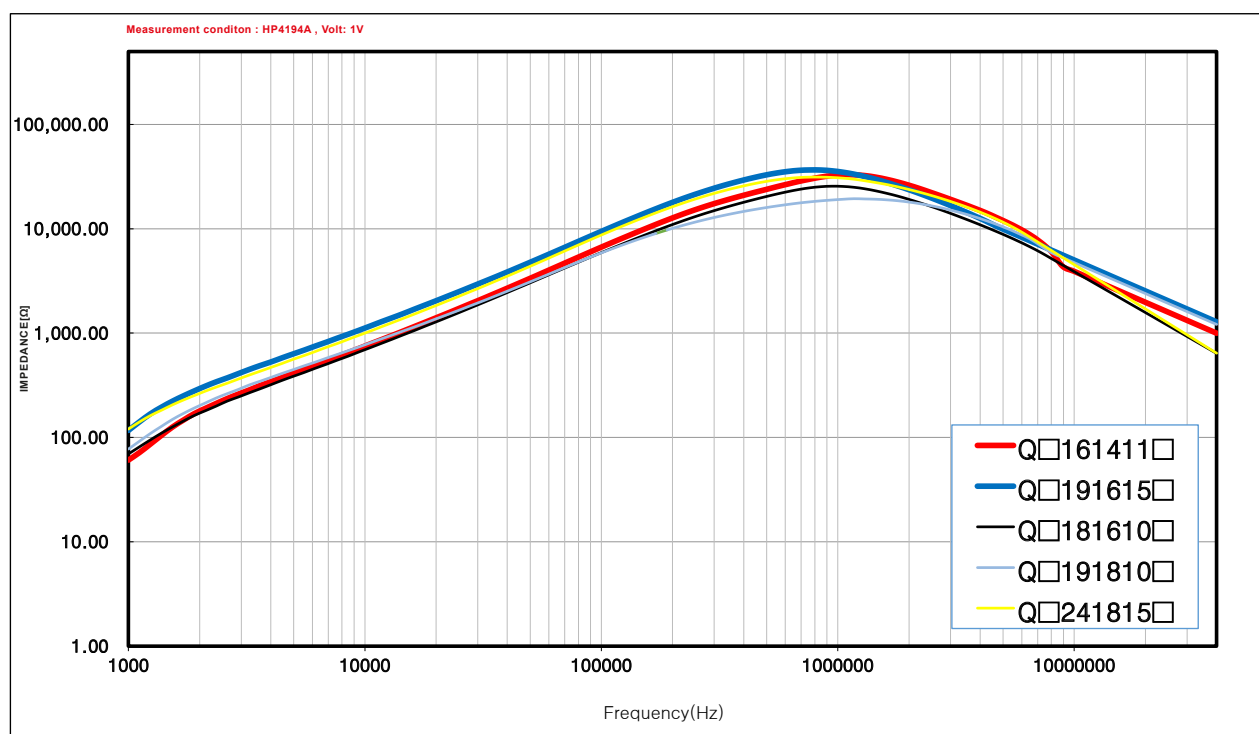


■ PART NUMBER AND SPECIFICATIONS

Part No.	Rated current(A)	Inductance(mH)	DC R(mΩ)	Rated Voltage(V)
Q □ 161411 □	1.5	(100KHz) 7.7mH MIN	188	300
Q □ 181610 □	2.0	(16KHz) 7.0mH MIN	156	300
Q □ 191615 □	1.5	(16KHz) 10.5mH MIN	260	300
Q □ 191810 □	2.3	(16KHz) 10mH	152	300
Q □ 241815 □	3.0	(16KHz) 15mH	158	300

Notice

- Operating Temperature Range(Ambient Temperature Range and Winding Temperature Rise) : -30°C to 120°C
- Winding Temperature Rise(at Rated Current)is under 55°C
- Rising temperature is affected by PCB condition and an amount of harmonics.
Please make sure that the temperature of the coil is not exceeded the operating temperature range.
- UL94V-0 certified resin used
- Pb-free solder used
- RoHS free
- Custom made Products are also available
- Halogen free available



For safety and the proper usage, you are requested to approve our product specification.
 This contents subject to change without advance notice. Please check with our sales or R&D before ordering.

SHAPE AND DIMENSION

Fig.1 QV1614- SERIES

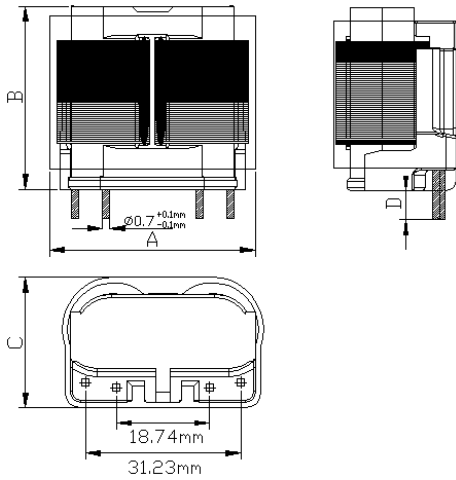


Fig.2 QV1816- SERIES

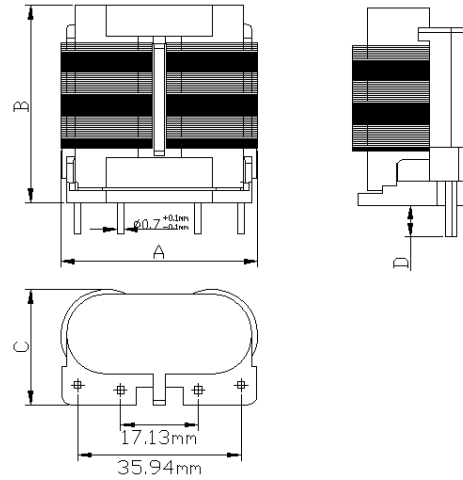


Fig.3 QH1816- SERIES

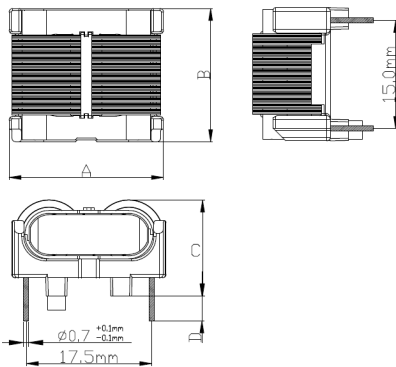


Fig.4 QV1916- SERIES

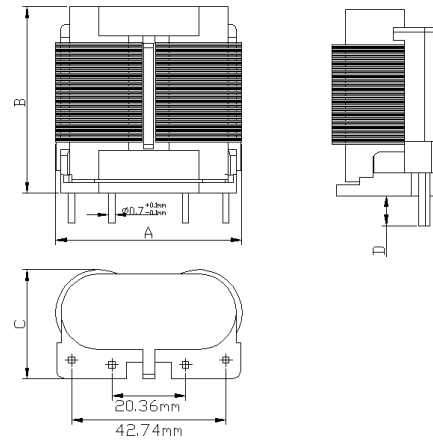
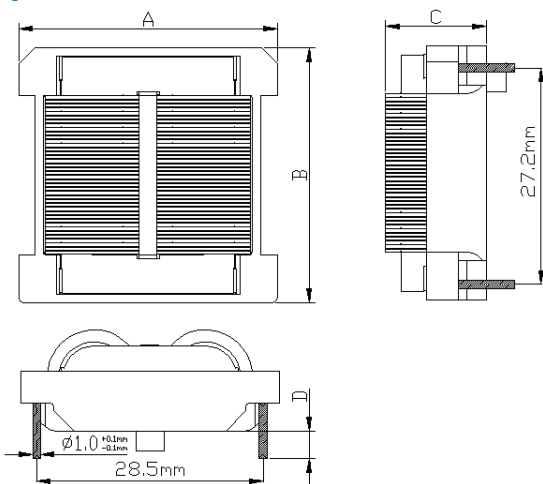


Fig.5 QH2418- SERIES

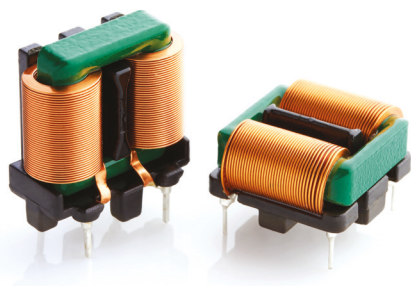


MODEL TYPE	A(mm)	B(mm)	C(mm)	D(mm)
QV1614(FIG.1)	21.0	18.5	14.0	3.0±1.0
QV1816(FIG.2)	25.0	19.5	16.0	4.0±1.0
QH1816(FIG.3)	22.5	19.5	14.5	4.0±1.0
QV1916(FIG.4)	25.0	22.0	16.0	4.0±1.0
QH2418(FIG.5)	30.0	27.0	13.5	4.0±1.0

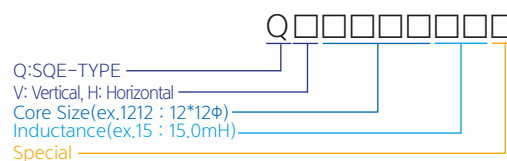
For safety and the proper usage, you are requested to approve our product specification
This contents subject to change without advance notice. Please check with our sales or R&D before ordering.

AUTO FLAT WIRE COIL SERIES

1212(Coating Type)-SERIES



■ PRODUCT NAME MEANING

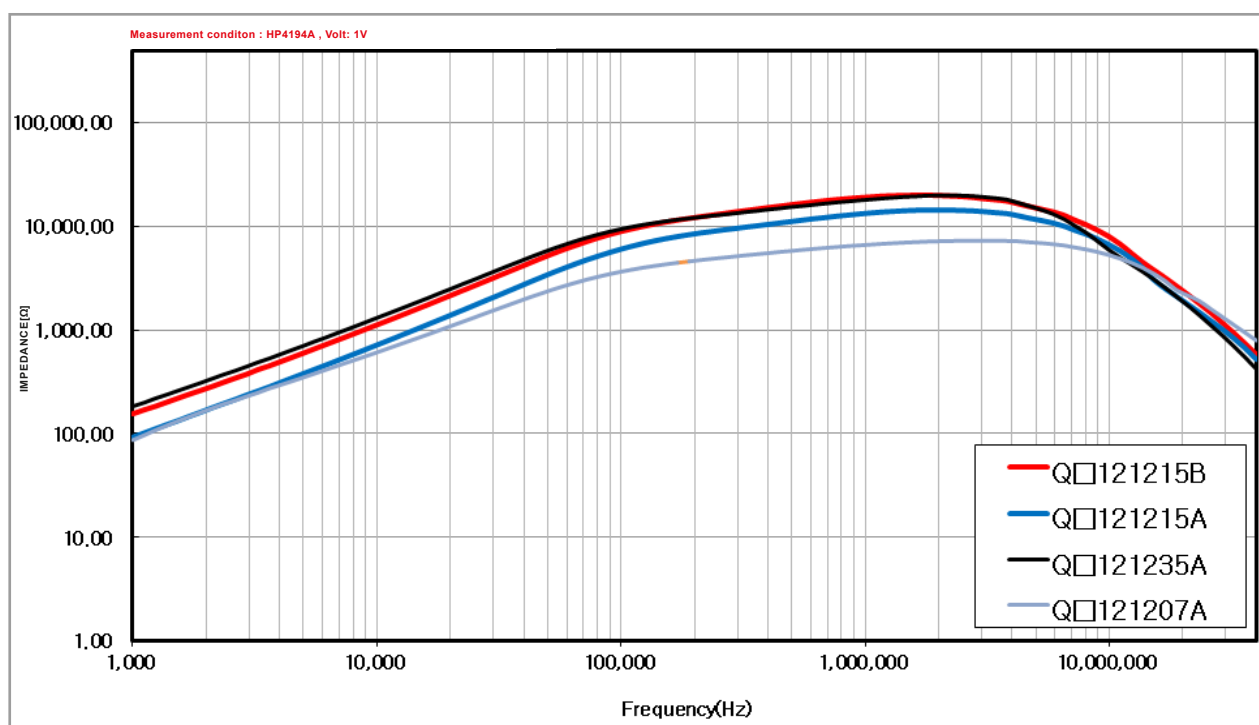


■ PART NUMBER AND SPECIFICATIONS

Part No.	Rated current(A)	Inductance(mH)	DC R(mΩ)	Rated Voltage(V)
Q□121235A	1.0	(1KHz) 25.0mH MIN	300	300
Q□121215B	1.3	(1KHz) 10.0mH MIN	200	300
Q□121215A	1.5	(1KHz) 10.0mH MIN	150	300
Q□121207A	2.0	(1KHz) 5.0mH MIN	100	300

Notice

- Operating Temperature Range(Ambient Temperature Range and Winding Temperature Rise) : -30°C to 120°C
- Winding Temperature Rise(at Rated Current)is under 55°C
- Rising temperature is affected by PCB condition and an amount of harmonics.
Please make sure that the temperature of the coil is not exceeded the operating temperature range.
- UL94V-0 certified resin used
- Pb-free solder used
- RoHS free
- Custom made Products are also available
- Halogen free available



For safety and the proper usage, you are requested to approve our product specification.
 This contents subject to change without advance notice. Please check with our sales or R&D before ordering.

■ SHAPE AND DIMENSION

Fig.1 QV1212- SERIES I

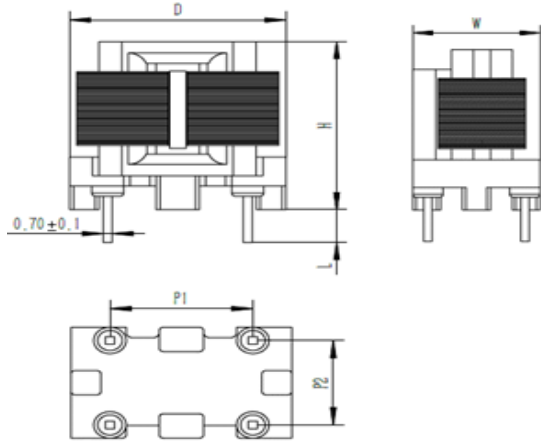


Fig.2 QV1212- Vertical Type II

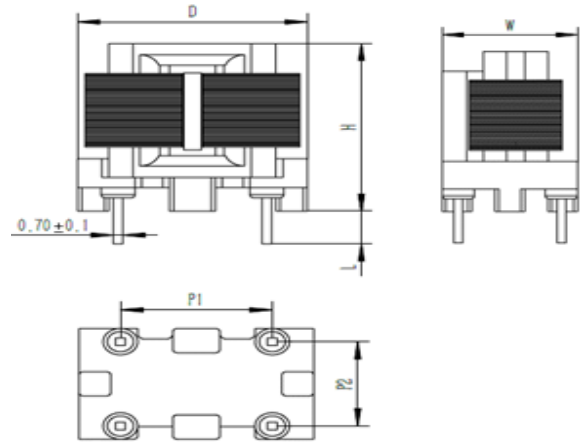
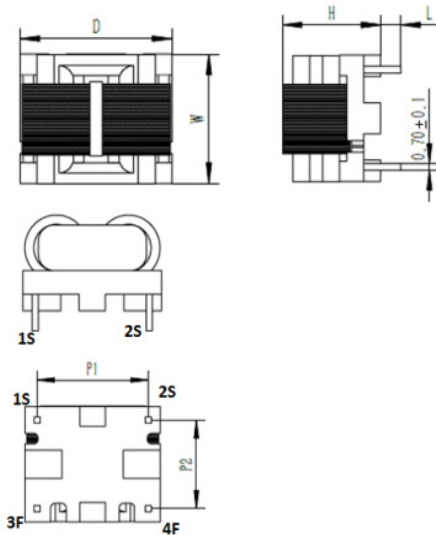


Fig.3 QH1212- SERIES I

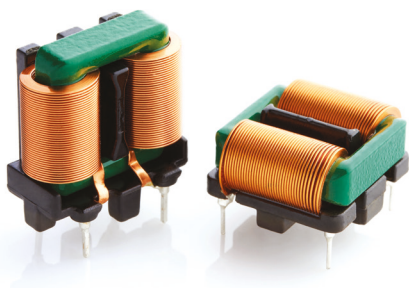


MODEL TYPE	D(mm)	W(mm)	H(mm)	L(mm)	PIN PITCH
QV121235A (FIG.1)	19.0	12.0	17.0	3.5±1.0	8.0 * 7.0
QV121215B (FIG.1)	18.5	11.0	17.0	3.5±1.0	8.0 * 7.0
QV121215A (FIG.2)	18.5	11.0	17.0	3.5±1.0	11.0 * 8.0
QV121207A (FIG.2)	18.5	11.0	17.0	3.5±1.0	11.0 * 8.0
QH121235A (FIG.3)	18.5	14.0	12.0	3.5±1.0	13.0 * 10.0
QH121215B (FIG.3)	18.5	14.0	12.0	3.5±1.0	13.0 * 10.0
QH121215B (FIG.3)	19.0	14.5	13.5	3.5±1.0	13.0 * 10.0
QH121207A (FIG.3)	18.5	14.0	12.0	3.5±1.0	13.0 * 10.0

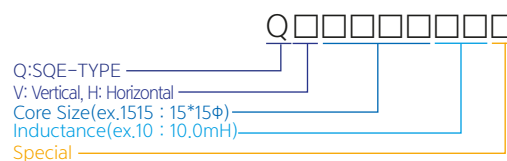
For safety and the proper usage, you are requested to approve our product specification
This contents subject to change without advance notice. Please check with our sales or R&D before ordering.

AUTO FLAT WIRE COIL SERIES

1515(Coating Type)-SERIES



■ PRODUCT NAME MEANING

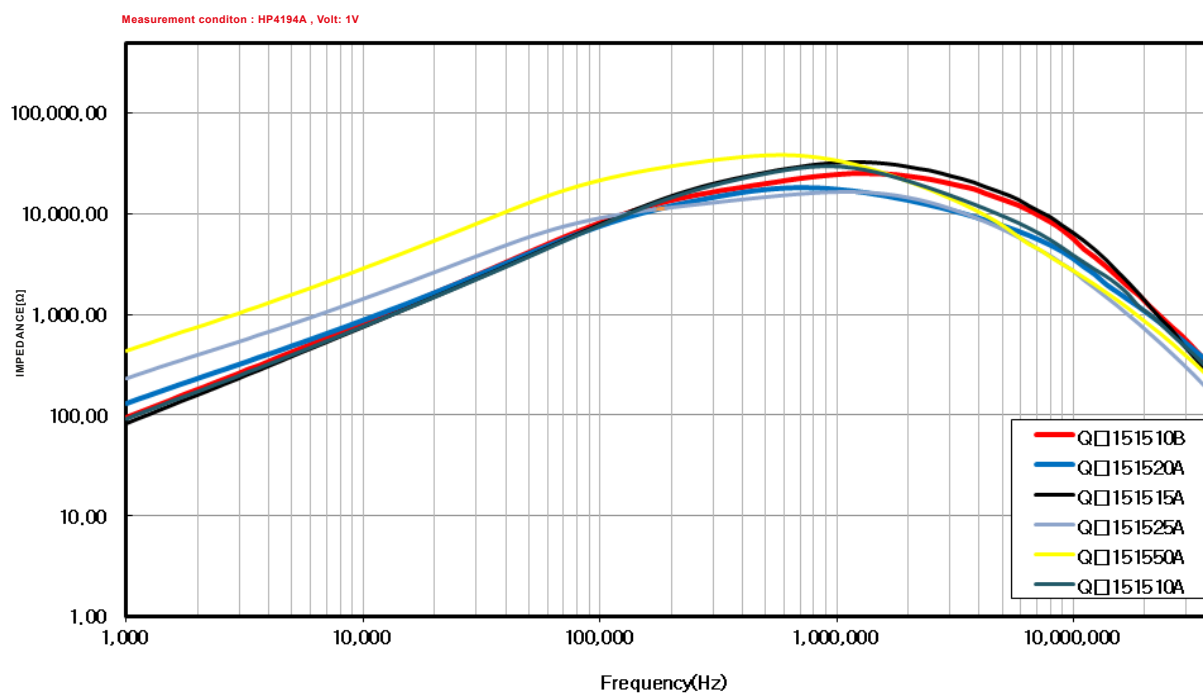


■ PART NUMBER AND SPECIFICATIONS

Part No.	Rated current(A)	Inductance(mH)	DC R(mΩ)	Rated Voltage(V)
Q □ 15 15 5 0 A	1.0	(1KHz) 35.0mH MIN	380	300
Q □ 15 15 1 0 B	1.5	(1KHz) 10.5mH +50%, -30%	180	300
Q □ 15 15 1 5 A	1.5	(1KHz) 10.0mH MIN	180	300
Q □ 15 15 1 0 A	1.8	(1KHZ) 7.0MH MIN	150	300
Q □ 15 15 2 0 A	2.0	(1KHZ) 14.0MH MIN	120	300
Q □ 15 15 2 5 A	2.0	(1KHz) 18.0mH MIN	130	300

Notice

- Operating Temperature Range(Ambient Temperature Range and Winding Temperature Rise) : -30°C to 120°C
- Winding Temperature Rise(at Rated Current)is under 55°C
- Rising temperature is affected by PCB condition and an amount of harmonics.
Please make sure that the temperature of the coil is not exceeded the operating temperature range.
- UL94V-0 certified resin used
- Pb-free solder used
- RoHS free
- Custom made Products are also available
- Halogen free available



For safety and the proper usage, you are requested to approve our product specification.
 This contents subject to change without advance notice. Please check with our sales or R&D before ordering.

SHAPE AND DIMENSION

Fig.1 QV1515- SERIES I

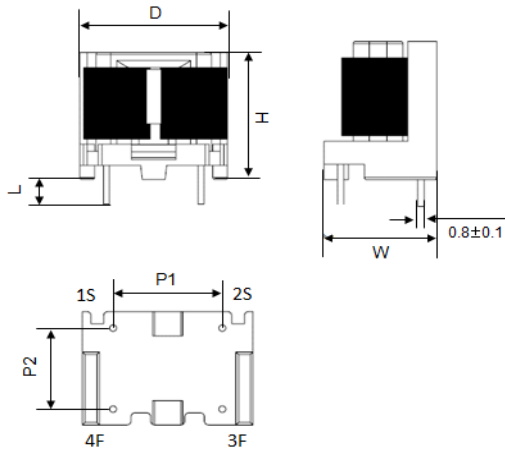


Fig.2 QV1515- Vertical Type II

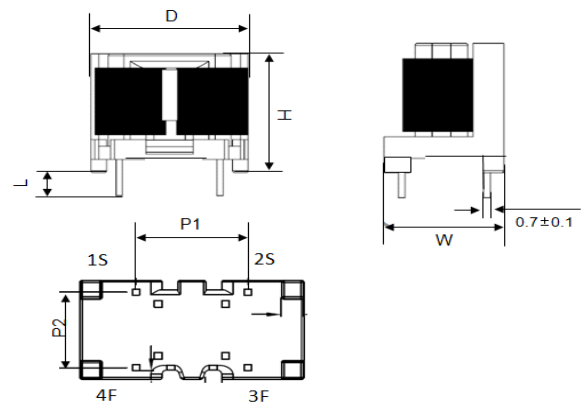
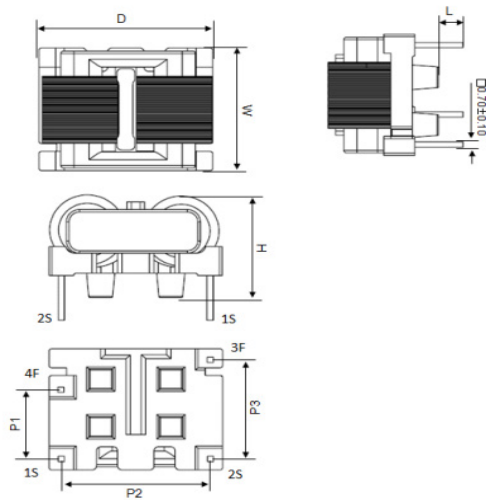


Fig.3 QH1515- SERIES I

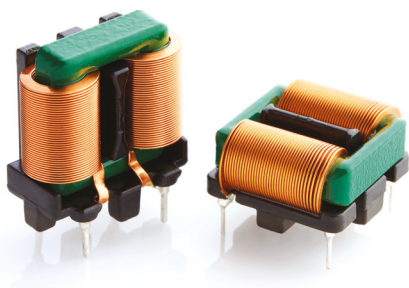


MODEL TYPE	D(mm)	W(mm)	H(mm)	L(mm)	PIN PITCH
QV151550A (FIG.1)	21.0	14.5	20.5	3.5±1.0	12.0 * 10.0
QV151510B (FIG.1)	21.0	14.5	20.5	3.5±1.0	12.0 * 10.0
QV151515A (FIG.1)	21.0	14.5	20.5	3.5±1.0	12.0 * 10.0
QV151510A (FIG.1)	21.0	14.5	20.5	3.5±1.0	12.0 * 10.0
QV151520A (FIG.1)	22.0	14.5	20.0	3.5±1.0	12.0 * 10.0
QV151525A (FIG.2)	21.8	13.8	20.8	3.5±1.0	10.0 * 8.0
QH151510B (FIG.3)	21.0	17.0	14.0	3.5±1.0	9.0 * 17.0 * 12.9
QH151510A (FIG.3)	23.0	17.0	14.0	3.5±1.0	9.0 * 17.0 * 12.9
QH151515A (FIG.3)	21.0	17.0	14.0	3.5±1.0	9.0 * 17.0 * 12.9
QH151543A (FIG.3)	21.0	17.0	14.0	3.5±1.0	9.0 * 17.0 * 12.9
QH151520A (FIG.3)	23.0	17.0	16.0	3.5±1.0	9.0 * 17.0 * 12.9
QH151525A (FIG.3)	23.0	17.0	16.0	3.5±1.0	9.0 * 17.0 * 12.9

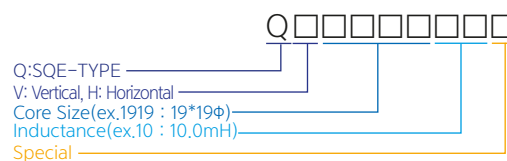
For safety and the proper usage, you are requested to approve our product specification
This contents subject to change without advance notice. Please check with our sales or R&D before ordering.

AUTO FLAT WIRE COIL SERIES

1919(Coating Type)-SERIES



■ PRODUCT NAME MEANING



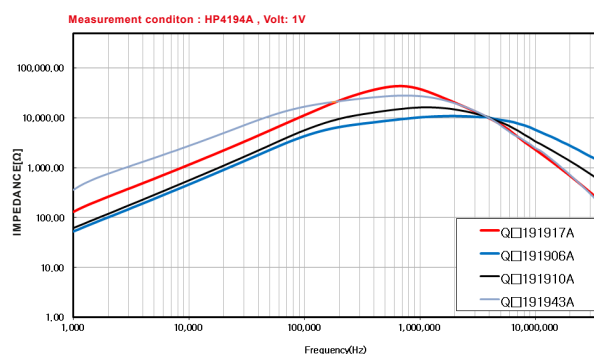
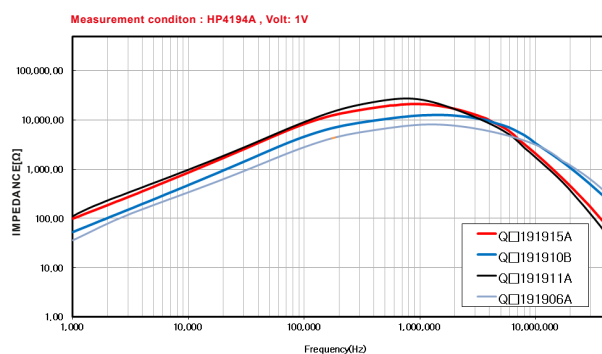
■ PART NUMBER AND SPECIFICATIONS

Part No.	Rated current(A)	Inductance(mH)	DC R(mΩ)	Rated Voltage(V)
Q □ 191943A	1.3	(1KHz) 30.0mH MIN	300	300
Q □ 191917A	1.5	(100KHz) 17.0mH +50%, -30%	200	300
Q □ 191911A	2.0	(100KHz) 11.0mH +50%, -30%	155	300
Q □ 191915A	3.0	(1KHZ) 10.0MH MIN	120	300
Q □ 191906A	3.5	(100KHZ) 4.0MH MIN	70	300
Q □ 191910A	3.5	(1KHZ) 7.0MH MIN	70	300
Q □ 191910B	4.5	(1KHZ) 7.0MH MIN	60	300
Q □ 191905A	5.0	(1KHz) 5.0mH +50%, -30%	50	300

Notice

- Operating Temperature Range(Ambient Temperature Range and Winding Temperature Rise) : -30°C to 120°C
- Winding Temperature Rise(at Rated Current)is under 55°C
- Rising temperature is affected by PCB condition and an amount of harmonics.
Please make sure that the temperature of the coil is not exceeded the operating temperature range.

- UL94V-0 certified resin used
- Pb-free solder used
- RoHS free
- Custom made Products are also available
- Halogen free available



For safety and the proper usage, you are requested to approve our product specification
 This contents subject to change without advance notice. Please check with our sales or R&D before ordering.

SHAPE AND DIMENSION

Fig.1 QV1919- SERIES I

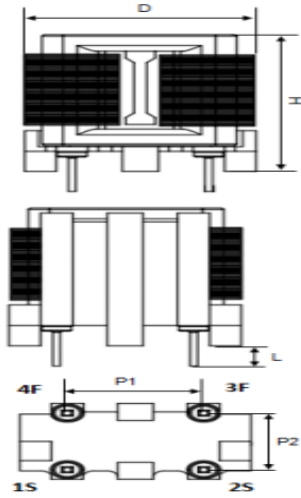


Fig.2 QH1919- SERIES I

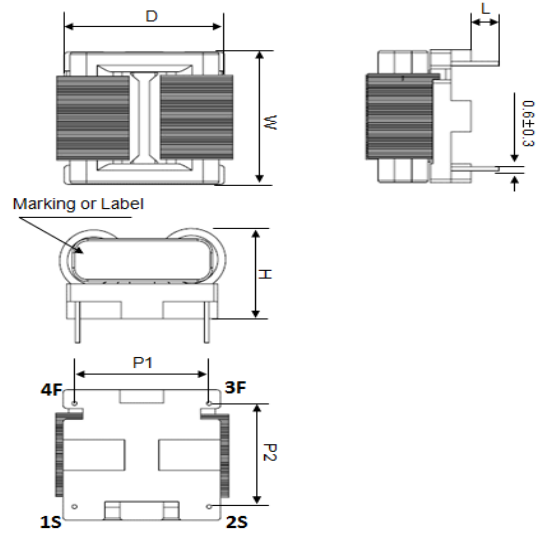
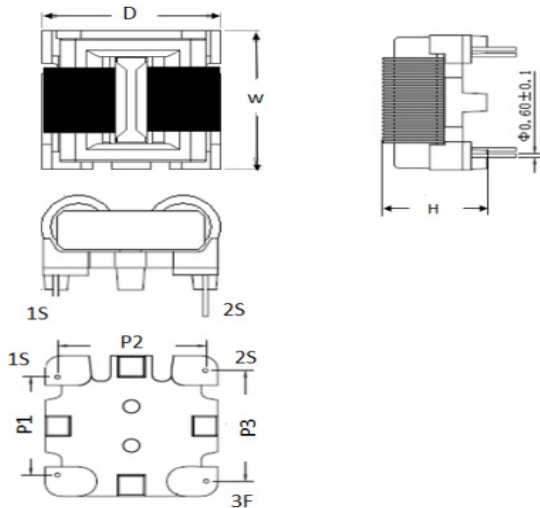


Fig.3 QH1919- Vertical Type II

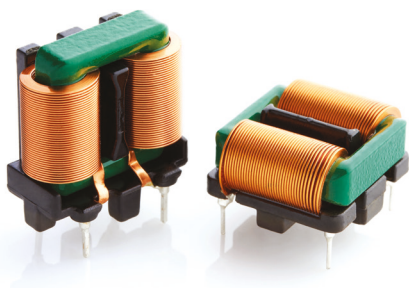


MODEL TYPE	D(mm)	W(mm)	H(mm)	L(mm)	PIN PITCH
QV191917A (FIG.1)	23.5	14.0	25.5	3.5±1.0	13.0 * 10.0
QV191943A (FIG.1)	23.5	14.0	25.5	3.5±1.0	13.0 * 10.0
QV191911A (FIG.1)	23.5	14.0	25.5	3.5±1.0	13.0 * 10.0
QV191915A (FIG.1)	24.0	14.0	25.5	3.5±1.0	13.0 * 10.0
QV191906A (FIG.1)	23.5	14.0	25.5	3.5±1.0	13.0 * 10.0
QV191910A (FIG.1)	24.5	15.0	25.5	3.5±1.0	13.0 * 10.0
QV191910B (FIG.1)	26.0	15.0	26.0	3.5±1.0	13.0 * 10.0
QV191905A (FIG.1)	23.5	14.0	25.5	3.5±1.0	13.0 * 10.0
QH191943A (FIG.2)	22.5	20.5	13.5	3.5±1.0	17.0 * 15.5
QH191917A (FIG.2)	24.0	23.0	13.5	3.5±1.0	17.0 * 15.5
QH191911A (FIG.2)	24.0	23.0	13.5	3.5±1.0	17.0 * 15.5
QH191915A (FIG.2)	24.0	21.0	14.0	3.5±1.0	17.0 * 15.5
QH191906A (FIG.2)	26.0	23.0	16.5	3.5±1.0	17.0 * 15.5
QH191910A (FIG.3)	25.0	22.5	15.0	3.5±1.0	15.0 * 18.0 * 17.0
QH191910B (FIG.2)	24.0	21.0	15.0	3.5±1.0	17.0 * 15.5
QH191905A (FIG.2)	24.0	22.0	15.0	3.5±1.0	17.0 * 15.5

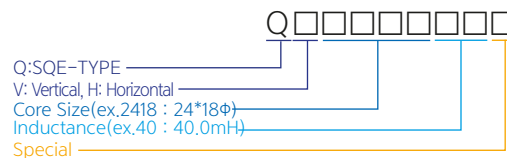
For safety and the proper usage, you are requested to approve our product specification
This contents subject to change without advance notice. Please check with our sales or R&D before ordering.

AUTO FLAT WIRE COIL SERIES

2418(Coating Type)-SERIES



■ PRODUCT NAME MEANING

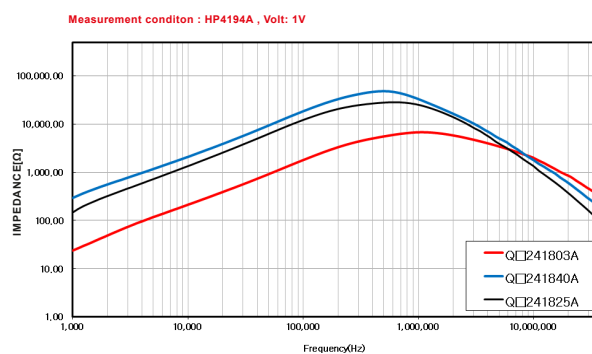
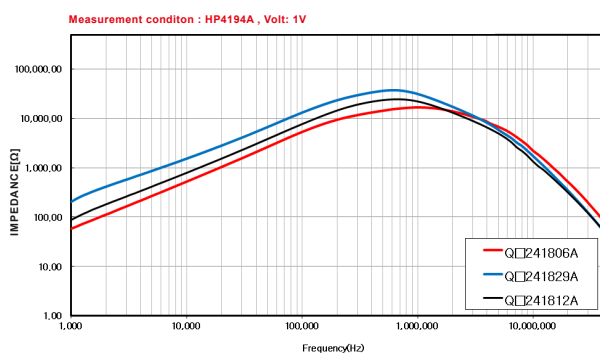


■ PART NUMBER AND SPECIFICATIONS

Part No.	Rated current(A)	Inductance(mH)	DC R(mΩ)	Rated Voltage(V)
Q □ 2 4 1 8 4 0 A	2.0	(1KHz) 28.0mH MIN	260	300
Q □ 2 4 1 8 2 9 A	2.5	(1KHz) 29.0mH +50%, -30%	175	300
Q □ 2 4 1 8 2 5 A	4.0	(1KHz) 17.0mH MIN	110	300
Q □ 2 4 1 8 1 2 A	4.5	(100KHZ) 8.0MH MIN	85	300
Q □ 2 4 1 8 0 6 A	6.0	(100KHZ) 6.0MH +50%, -30%	50	300
Q □ 2 4 1 8 0 3 A	10.0	(1KHz) 2.0mH MIN	25	300

Notice

- Operating Temperature Range(Ambient Temperature Range and Winding Temperature Rise) : -30°C to 120°C
- Winding Temperature Rise(at Rated Current)is under 55°C
- Rising temperature is affected by PCB condition and an amount of harmonics.
Please make sure that the temperature of the coil is not exceeded the operating temperature range.
- UL94V-0 certified resin used
- Pb-free solder used
- RoHS free
- Custom made Products are also available
- Halogen free available



For safety and the proper usage, you are requested to approve our product specification.
 This contents subject to change without advance notice. Please check with our sales or R&D before ordering.

SHAPE AND DIMENSION

Fig.1 QV2418- SERIES I

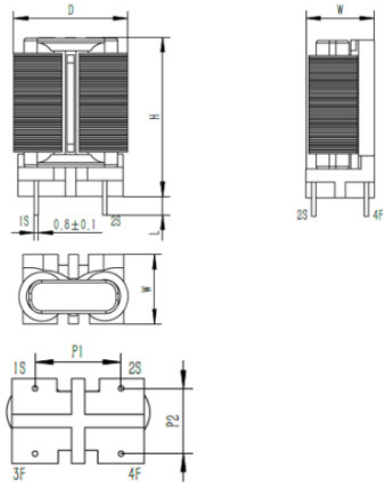


Fig.2 QH2418- SERIES I

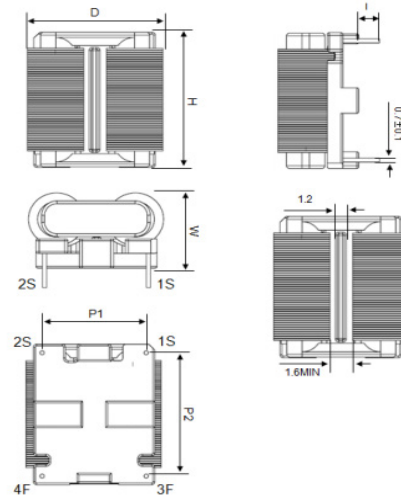
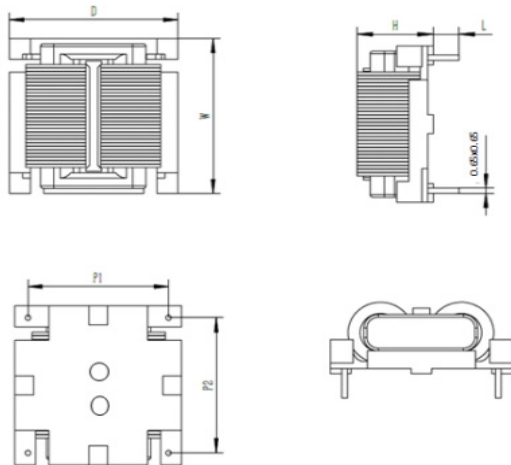


Fig.3 QH2418- Vertical Type II

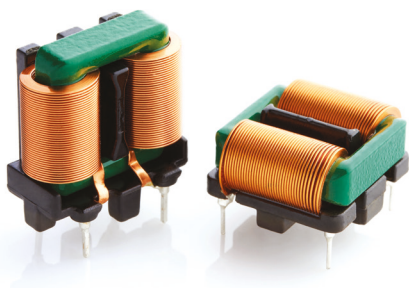


MODEL TYPE	D(mm)	W(mm)	H(mm)	L(mm)	PIN PITCH
QV241840A (FIG.1)	24.0	14.0	32.0	3.5±1.0	13.0 * 10.0
QV241829A (FIG.1)	24.0	14.5	32.0	3.5±1.0	13.0 * 10.0
QV241825A (FIG.1)	24.0	14.5	32.0	3.5±1.0	13.0 * 10.0
QV241812A (FIG.1)	24.0	14.0	32.0	3.5±1.0	13.0 * 10.0
QV241806A (FIG.1)	24.0	14.0	32.0	3.5±1.0	13.0 * 10.0
QV241803A (FIG.1)	24.0	14.5	32.0	3.5±1.0	13.0 * 10.0
QH241840A (FIG.2)	24.0	26.0	15.5	3.5±1.0	17.0 * 21.5
QH241829A (FIG.2)	24.0	26.0	15.0	3.5±1.0	17.0 * 21.5
QH241825A (FIG.2)	26.0	26.0	15.5	3.5±1.0	17.0 * 21.5
QH241818A (FIG.2)	26.0	25.5	14.0	3.5±1.0	17.0 * 21.5
QH241803A (FIG.3)	24.0	28.0	15.0	3.5±1.0	20.0 * 22.5

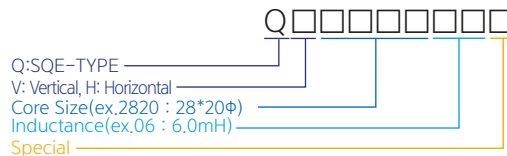
For safety and the proper usage, you are requested to approve our product specification
This contents subject to change without advance notice. Please check with our sales or R&D before ordering.

AUTO FLAT WIRE COIL SERIES

2820(Coating Type)-SERIES



PRODUCT NAME MEANING



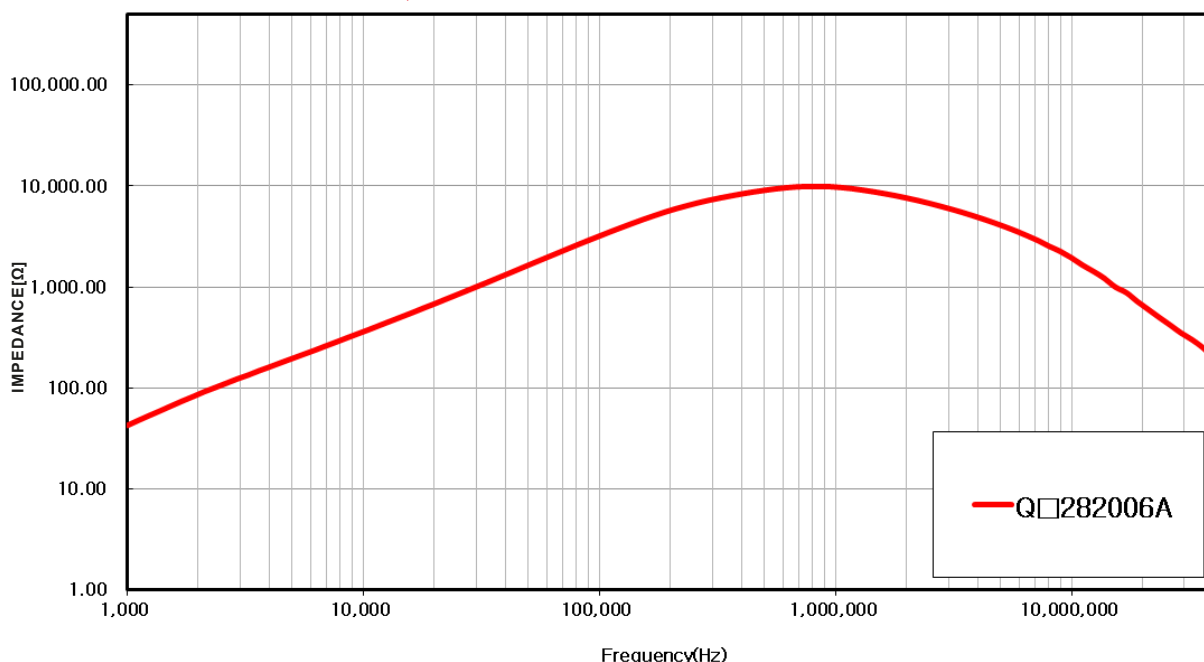
PART NUMBER AND SPECIFICATIONS

Part No.	Rated current(A)	Inductance(mH)	DC R(mΩ)	Rated Voltage(V)
Q □ 2 8 2 0 0 6 A	11.0	(1KHz) 6.0mH +50%,-30%	25	300

Notice

- Operating Temperature Range(Ambient Temperature Range and Winding Temperature Rise) : -30°C to 120°C
- Winding Temperature Rise(at Rated Current)is under 55°C
- Rising temperature is affected by PCB condition and an amount of harmonics.
Please make sure that the temperature of the coil is not exceeded the operating temperature range.
- UL94V-0 certified resin used
- Pb-free solder used
- RoHS free
- Custom made Products are also available
- Halogen free available

Measurement condition : HP4194A , Volt: 1V



For safety and the proper usage, you are requested to approve our product specification. This contents subject to change without advance notice. Please check with our sales or R&D before ordering.

■ SHAPE AND DIMENSION

Fig.1 QV2820- SERIES I

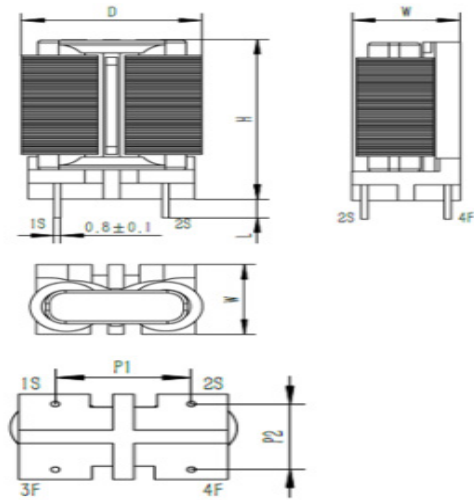
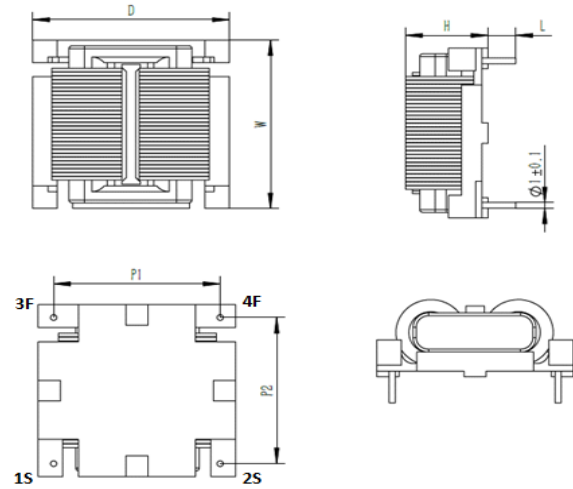


Fig.2 QH2820- SERIES I

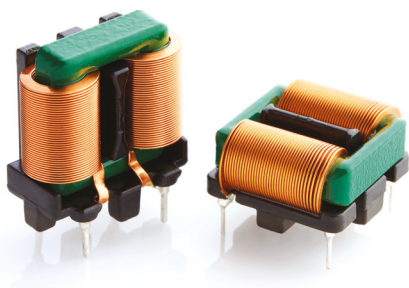


MODEL TYPE	D(mm MAX)	W(mm MAX)	H(mm MAX)	L(mm)	PIN PITCH
QV282006A (FIG.1)	27.0	17.0	36.5	3.5±1.0	13.0 * 10.0
QH282006A (FIG.2)	32.5	30.5	15.0	3.5±1.0	27.0 * 25.5

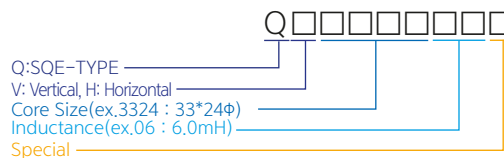
For safety and the proper usage, you are requested to approve our product specification
 This contents subject to change without advance notice. Please check with our sales or R&D before ordering.

AUTO FLAT WIRE COIL SERIES

3324(Coating Type)-SERIES



PRODUCT NAME MEANING



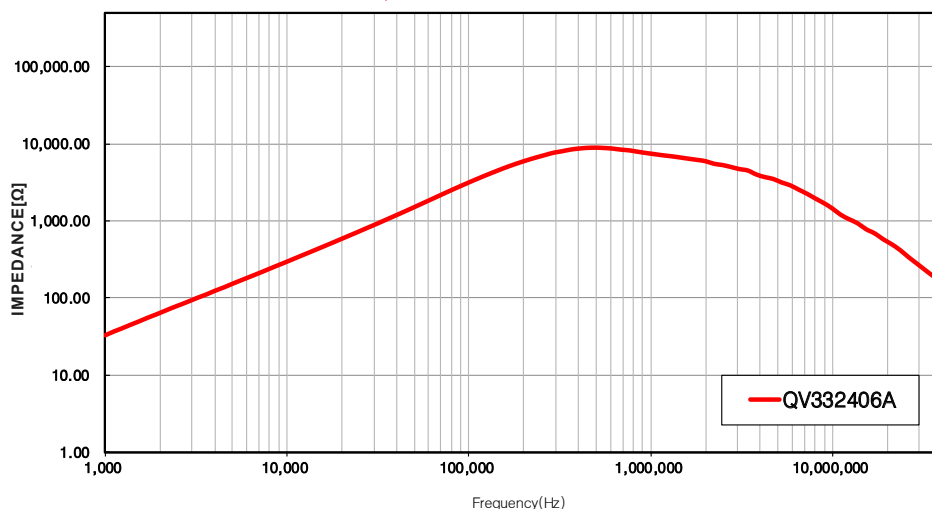
PART NUMBER AND SPECIFICATIONS

Part No.	Rated current(A)	Inductance(mH)	DC R(mΩ)	Rated Voltage(V)
Q □ 3 3 2 4 0 6 A	15.0	(1KHz) 4.0mH MIN	15	300

Notice

- Operating Temperature Range(Ambient Temperature Range and Winding Temperature Rise) : -30°C to 120°C
- Winding Temperature Rise(at Rated Current)is under 55°C
- Rising temperature is affected by PCB condition and an amount of harmonics.
Please make sure that the temperature of the coil is not exceeded the operating temperature range.
- UL94V-0 certified resin used
- Pb-free solder used
- RoHS free
- Custom made Products are also available
- Halogen free available

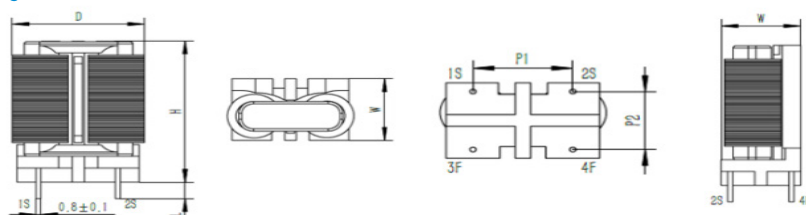
Measurement conditon : HP4194A , Volt: 1V



For safety and the proper usage, you are requested to approve our product specification
 This contents subject to change without advance notice. Please check with our sales or R&D before ordering.

SHAPE AND DIMENSION

Fig.1 QV3324- SERIES 1

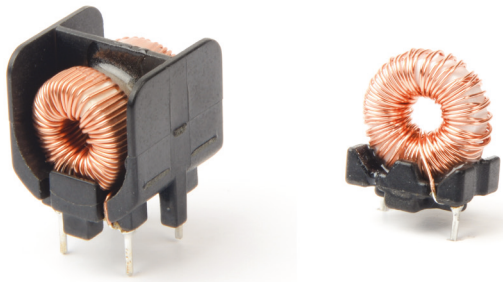


MODEL TYPE	D(mm MAX)	W(mm MAX)	H(mm MAX)	L(mm)	PIN PITCH
QV332406A (FIG.1)	33.0	20.0	43.0	3.5±1.0	18.0 * 12.0

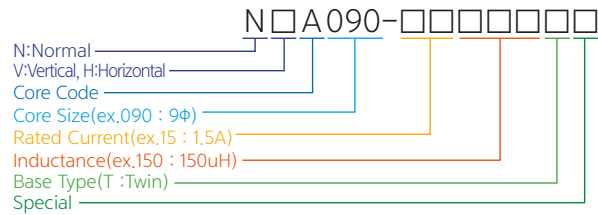
For safety and the proper usage, you are requested to approve our product specification
 This contents subject to change without advance notice. Please check with our sales or R&D before ordering.

Normal

9Φ-SERIES



PRODUCT NAME MEANING



FEATURES

090-SERIES Line Filter series is compact in size. And Low Leakage of flux and vibration noise of gap-less structure.

APPLICATIONS

For smoothing switching power supplies / For normal mode line filter / For measuring instrument / For noise prevention of SMPS, TV, etc

PART NUMBER AND SPECIFICATIONS

Part No.	Rated current(A)	Inductance(uH)	DC R(mΩ)	Rated Voltage(V)
N □ □ 090-10260 □ □	1.0	260.0	522	300
N □ □ 090-18085 □ □	1.8	85.0	181	300
N □ □ 090-20080 □ □	2.0	80.0	120	300

Notice

- Operating Temperature Range(Ambient Temperature Range and Winding Temperature Rise) : -30°C to 105°C
- Winding Temperature Rise(at Rated Current)is under 55°C
- Rising temperature is affected by PCB condition and an amount of harmonics.
- Please make sure that the temperature of the coil is not exceeded the operating temperature range.

- UL94V-0 certified resin used
- Pb-free solder used
- RoHS free
- Custom made Products are also available
- Halogen free available

SHAPE AND DIMENSION

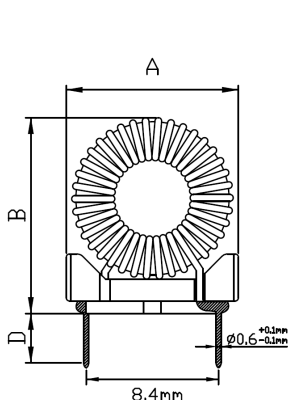


Fig.1 NVA090C- SERIES

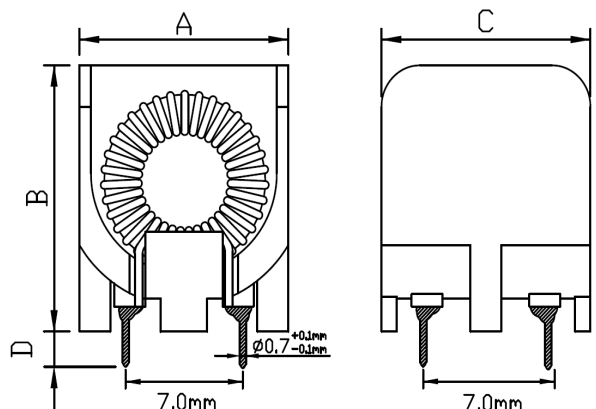


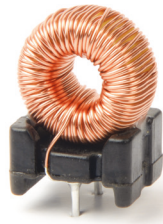
Fig.2 NVA090T- SERIES

MODEL TYPE	A(mm)	B(mm)	C(mm)	D(mm)
NVA090C(FIG.1)	13.0	15.0	8.0	4.0±1.0
NVA090T(FIG.2)	15.0	17.0	15.0	4.0±1.0

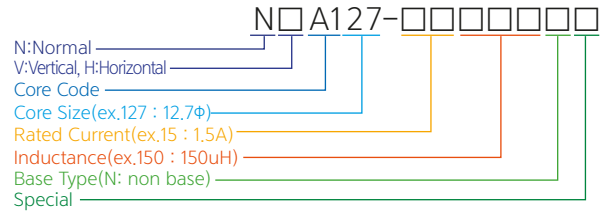
For safety and the proper usage, you are requested to approve our product specification
This contents subject to change without advance notice. Please check with our sales or R&D before ordering.

Normal

12.7Φ-SERIES



■ PRODUCT NAME MEANING



■ FEATURES

127-SERIES Line Filter series is compact in size. And Low Leakage of flux and vibration noise of gap-less structure.

■ APPLICATIONS

For smoothing switching power supplies / For normal mode line filter / For measuring instrument / For noise prevention of SMPS,TV,etc

■ PART NUMBER AND SPECIFICATIONS

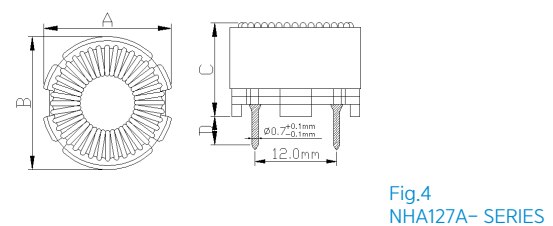
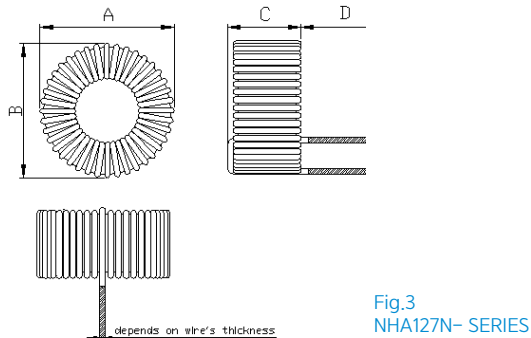
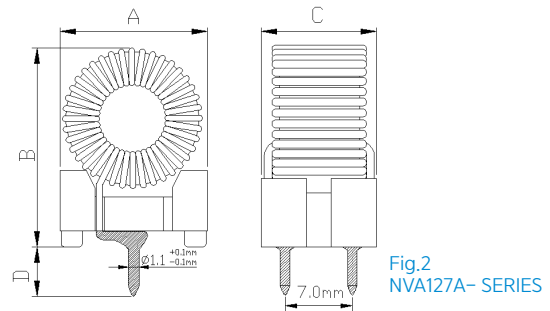
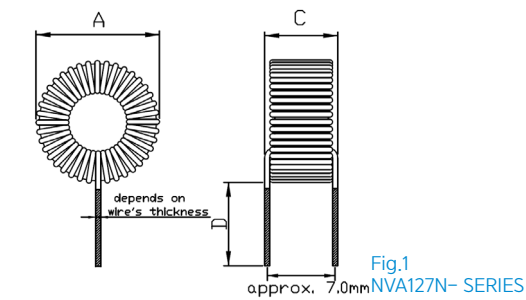
Part No.	Rated current(A)	Inductance(uH)	DC R(mΩ)	Rated Voltage(V)
N□□127-15200□□	1.5	200.0	290	300
N□□127-15330□□	1.5	330.0	301	300
N□□127-20220□□	2.0	220.0	152	300

Part No.	Rated current(A)	Inductance(uH)	DC R(mΩ)	Rated Voltage(V)
N□□127-40082□□	4.0	82.0	46	300
N□□127-45065□□	4.5	65.0	87	300
N□□127-D0004□□	40.0	4.0	1.2	300

Notice

- Operating Temperature Range(Ambient Temperature Range and Winding Temperature Rise) : -30°C to 105°C
- Winding Temperature Rise(at Rated Current)is under 55°C
- Rising temperature is affected by PCB condition and an amount of harmonics. Please make sure that the temperature of the coil is not exceeded the operating temperature range.
- UL94V-0 certified resin used
- Pb-free solder used
- RoHS free
- Custom made Products are also available
- Halogen free available

■ SHAPE AND DIMENSION



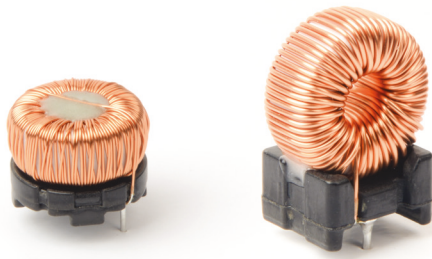
MODEL TYPE	A(mm)	B(mm)	C(mm)	D(mm)
NVA127N(FIG.1)	16,0	16,0	10,0	8,0±2,0
NVA127A(FIG.2)	18,0	22,0	14,0	4,0±1,0

MODEL TYPE	A(mm)	B(mm)	C(mm)	D(mm)
NHA127N(FIG.3)	15,5	15,5	10,0	8,0±2,0
NHA127A(FIG.4)	16,0	16,0	10,0	4,0±1,0

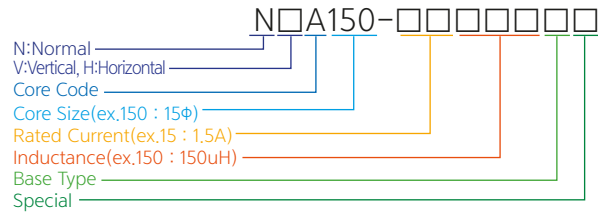
For safety and the proper usage, you are requested to approve our product specification
This contents subject to change without advance notice. Please check with our sales or R&D before ordering.

Normal

15Φ-SERIES



PRODUCT NAME MEANING



FEATURES

150-SERIES Line Filter series is compact in size. And Low Leakage of flux and vibration noise of gap-less structure.

APPLICATIONS

For smoothing switching power supplies / For normal mode line filter / For measuring instrument / For noise prevention of SMPS,TV,etc

PART NUMBER AND SPECIFICATIONS

Part No.	Rated current(A)	Inductance(uH)	DC R(mΩ)	Rated Voltage(V)
N□□150-10A00□□	1.0	1000.0	1152	300
N□□150-30300□□	3.0	300.0	196	300
N□□150-35200□□	3.5	200.0	109	300
N□□150-38150□□	3.8	150.0	80	300

Notice

- Operating Temperature Range(Ambient Temperature Range and Winding Temperature Rise) : -30°C to 105°C
- Winding Temperature Rise(at Rated Current)is under 55°C
- Rising temperature is affected by PCB condition and an amount of harmonics.
Please make sure that the temperature of the coil is not exceeded the operating temperature range.

- UL94V-0 certified resin used
- Pb-free solder used
- RoHS free
- Custom made Products are also available
- Halogen free available

SHAPE AND DIMENSION

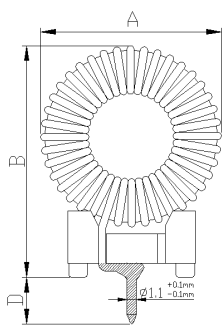


Fig.1 NVA150R- SERIES

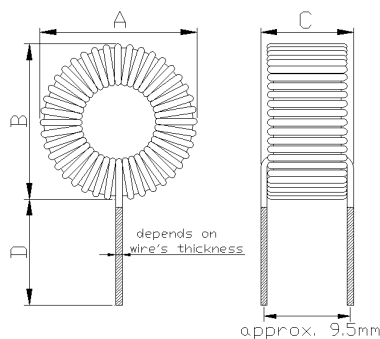


Fig.2 NVA150N- SERIES

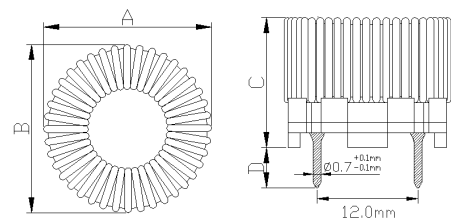


Fig.3 NHA150A- SERIES

MODEL TYPE	A(mm)	B(mm)	C(mm)	D(mm)
NVA150R(FIG.1)	20.0	25.0	14.0	4.0±1.0
NVA150N(FIG.2)	19.0	19.0	12.0	8.0±2.0
NHA150A(FIG.3)	18.5	18.5	15.5	4.0±1.0

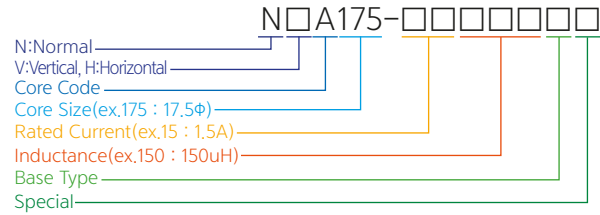
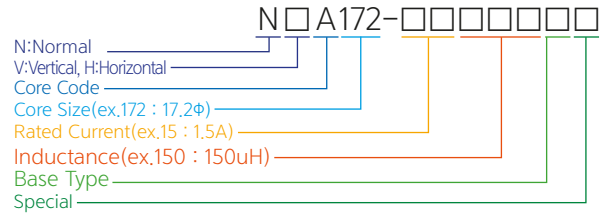
For safety and the proper usage, you are requested to approve our product specification
This contents subject to change without advance notice. Please check with our sales or R&D before ordering.

Normal

17Φ-SERIES



PRODUCT NAME MEANING



FEATURES

172/175-SERIES Line Filter series is compact in size. And Low Leakage of flux and vibration noise of gap-less structure.

APPLICATIONS

For smoothing switching power supplies / For normal mode line filter / For measuring instrument / For noise prevention of SMPS,TV,etc

PART NUMBER AND SPECIFICATIONS

Part No.	Rated current(A)	Inductance(uH)	DC R(mΩ)	Rated Voltage(V)
N □ □ 172-80033 □ □ □	8.0	33.0	24	300
N □ □ 172-90045 □ □ □	9.0	45.0	20	300
N □ □ 172-30670 □ □ □	3.0	670.0	122	300

Part No.	Rated current(A)	Inductance(uH)	DC R(mΩ)	Rated Voltage(V)
N □ □ 175-25400 □ □ □	2.5	400.0	218	300
N □ □ 175-30200 □ □ □	3.0	200.0	140	300
N □ □ 175-70045 □ □ □	7.0	45.0	32	300
N □ □ 175-50045 □ □ □	5.0	45.0	38	300
N □ □ 175-55140 □ □ □	5.5	140.0	53	300
N □ □ 175-65080 □ □ □	6.5	80.0	57	300

Notice

- Operating Temperature Range(Ambient Temperature Range and Winding Temperature Rise) : -30°C to 105°C
- Winding Temperature Rise(at Rated Current)is under 55°C
- Rising temperature is affected by PCB condition and an amount of harmonics.
- Please make sure that the temperature of the coil is not exceeded the operating temperature range.

- UL94V-0 certified resin used
- Pb-free solder used
- RoHS free
- Custom made Products are also available
- Halogen free available

SHAPE AND DIMENSION

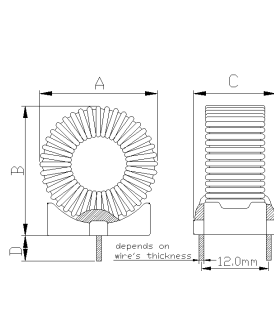


Fig.1 NVS172A- SERIES

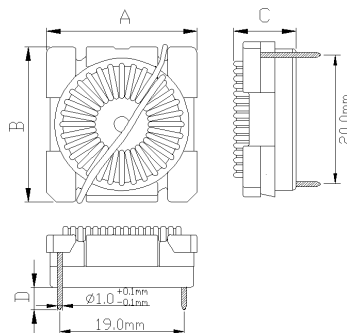


Fig.2 NHS172E- SERIES

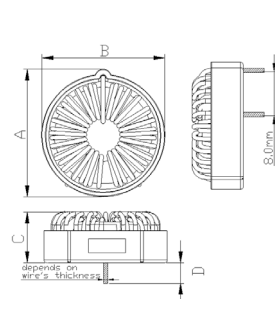


Fig.3 NHS172A- SERIES

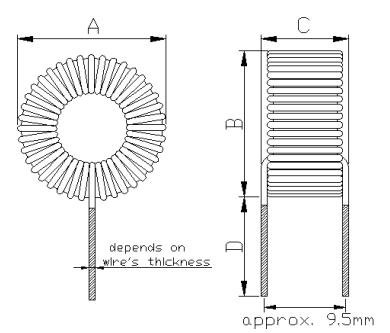


Fig.4 NVA175N- SERIES

MODEL TYPE	A(mm)	B(mm)	C(mm)	D(mm)
NVS172A(FIG.1)	22.0	23.0	18.0	4.0±1.0
NHS172E(FIG.2)	25.0	25.0	12.0	4.0±1.0

MODEL TYPE	A(mm)	B(mm)	C(mm)	D(mm)
NHS172A(FIG.3)	23.5	23.5	12.0	4.0±1.0
NVA175N(FIG.4)	28.0	28.0	17.0	15.0±5.0

For safety and the proper usage, you are requested to approve our product specification
This contents subject to change without advance notice. Please check with our sales or R&D before ordering.

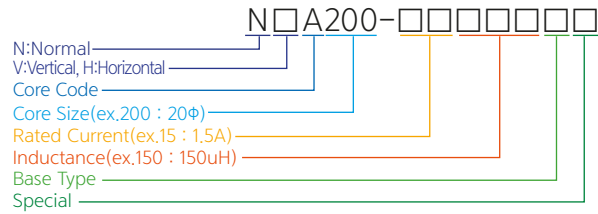
TNC NORMAL

Normal

20Φ-SERIES



PRODUCT NAME MEANING



FEATURES

200-SERIES Line Filter series is compact in size. And Low Leakage of flux and vibration noise of gap-less structure.

APPLICATIONS

For smoothing switching power supplies / For normal mode line filter / For measuring instrument / For noise prevention of SMPS, TV, etc

PART NUMBER AND SPECIFICATIONS

Part No.	Rated current(A)	Inductance(uH)	DC R(mΩ)	Rated Voltage(V)
N□□200-30450□□	3.5	450.0	140	300
N□□200-50200□□	5.0	200.0	67	300
N□□200-60150□□	6.0	150.0	41	300
N□□200-60110□□	6.0	110.0	43	300
N□□200-65130□□	6.5	130.0	39	300

Notice

- Operating Temperature Range(Ambient Temperature Range and Winding Temperature Rise) : -30°C to 105°C
- Winding Temperature Rise(at Rated Current)is under 55°C
- Rising temperature is affected by PCB condition and an amount of harmonics.
Please make sure that the temperature of the coil is not exceeded the operating temperature range.

- UL94V-0 certified resin used
- Pb-free solder used
- RoHS free
- Custom made Products are also available
- Halogen free available

SHAPE AND DIMENSION

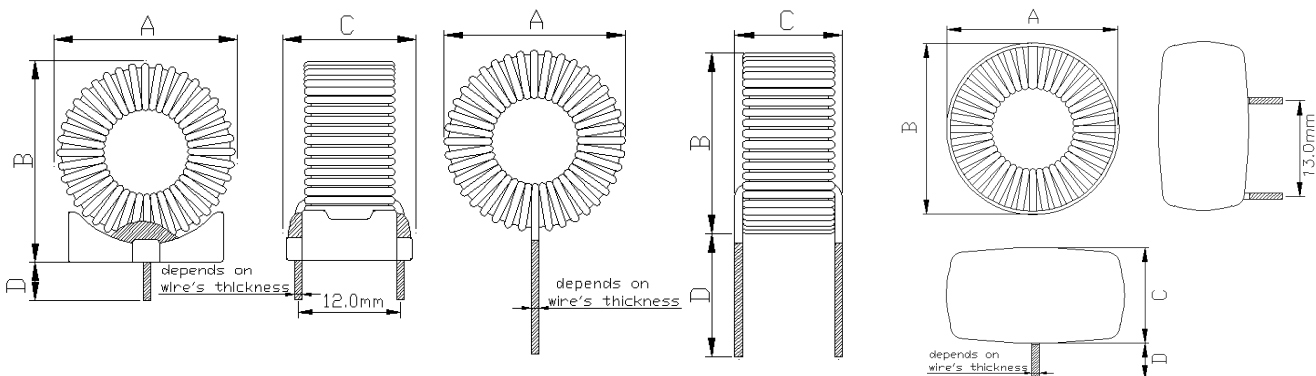


Fig.1 NVA200A- SERIES

Fig.2 NVA200N- SERIES

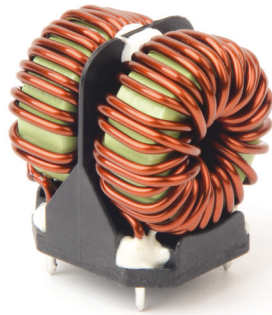
Fig.3 NHA200N- SERIES

MODEL TYPE	A(mm)	B(mm)	C(mm)	D(mm)
NVA200A(FIG.1)	27.0	27.0	16.0	4.0±1.0
NVA200N(FIG.2)	27.0	27.0	14.0	15.0±5.0
NHA200N(FIG.3)	27.0	27.0	14.0	15.0±5.0

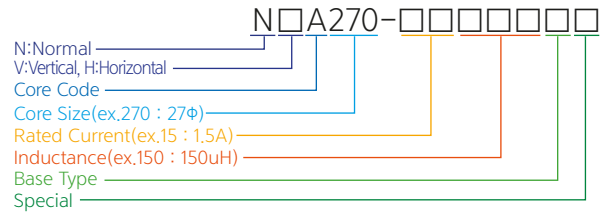
For safety and the proper usage, you are requested to approve our product specification
This contents subject to change without advance notice. Please check with our sales or R&D before ordering.

Normal

27Φ-SERIES



PRODUCT NAME MEANING



FEATURES

270-SERIES Line Filter series is compact in size. And Low Leakage of flux and vibration noise of gap-less structure.

APPLICATIONS

For smoothing switching power supplies / For normal mode line filter / For measuring instrument / For noise prevention of SMPS,TV,etc

PART NUMBER AND SPECIFICATIONS

Part No.	Rated current(A)	Inductance(uH)	DC R(mΩ)	Rated Voltage(V)
N□□270-40013□□	4.0	1300.0	142	300
N□□270-50500□□	5.0	500.0	66	300
N□□270-70300□□	7.0	300.0	38	300

Notice

- Operating Temperature Range(Ambient Temperature Range and Winding Temperature Rise) : -30°C to 105°C
- Winding Temperature Rise(at Rated Current)is under 55°C
- Rising temperature is affected by PCB condition and an amount of harmonics.
Please make sure that the temperature of the coil is not exceeded the operating temperature range.
- UL94V-0 certified resin used
- Pb-free solder used
- RoHS free
- Custom made Products are also available
- Halogen free available

SHAPE AND DIMENSION

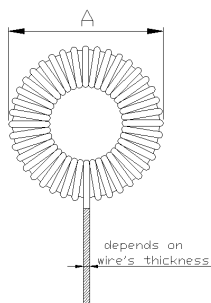


Fig.1 NVB270N- SERIES

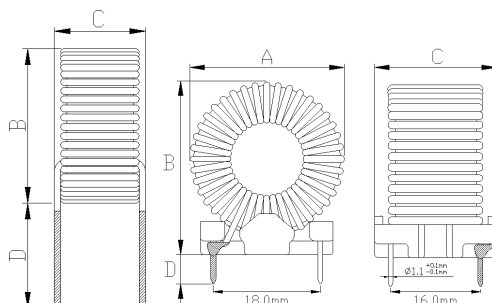


Fig.2 NVA270K- SERIES

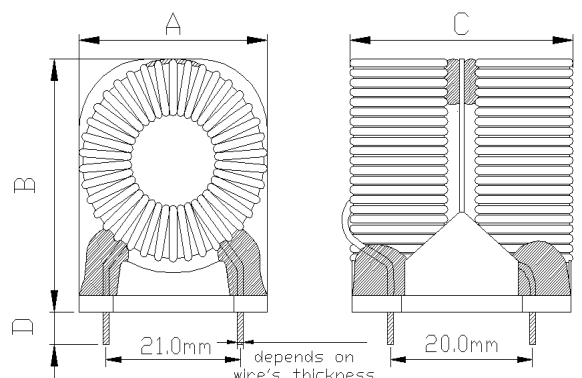


Fig.3 NVB270D- SERIES

MODEL TYPE	A(mm)	B(mm)	C(mm)	D(mm)
NVB270N(FIG.1)	33.0	33.0	22.0	15.0±5.0
NVA270K(FIG.2)	33.0	35.0	25.0	4.0±1.0
NVB270D(FIG.3)	40.0	40.0	45.0	4.0±1.0

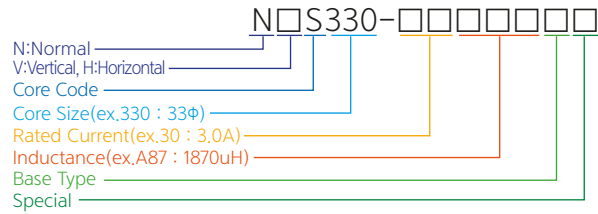
For safety and the proper usage, you are requested to approve our product specification
This contents subject to change without advance notice. Please check with our sales or R&D before ordering.

Normal

33Φ-SERIES



PRODUCT NAME MEANING



FEATURES

330-SERIES Line Filter series is compact in size. And Low Leakage of flux and vibration noise of gap-less structure.

APPLICATIONS

For smoothing switching power supplies / For normal mode line filter / For measuring instrument / For noise prevention of SMPS,TV,etc

PART NUMBER AND SPECIFICATIONS

Part No.	Rated current(A)	Inductance(uH)	DC R(mΩ)	Rated Voltage(V)
N□□330-30A87□□	3.0	1870.0	350	300
N□□330-80260□□	8.0	260.0	49	300
N□□330-80300□□	8.0	300.0	40	300

Notice

- Operating Temperature Range(Ambient Temperature Range and Winding Temperature Rise) : -30°C to 105°C
- Winding Temperature Rise(at Rated Current)is under 55°C
- Rising temperature is affected by PCB condition and an amount of harmonics.
- Please make sure that the temperature of the coil is not exceeded the operating temperature range.

- UL94V-0 certified resin used
- Pb-free solder used
- RoHS free
- Custom made Products are also available
- Halogen free available

SHAPE AND DIMENSION

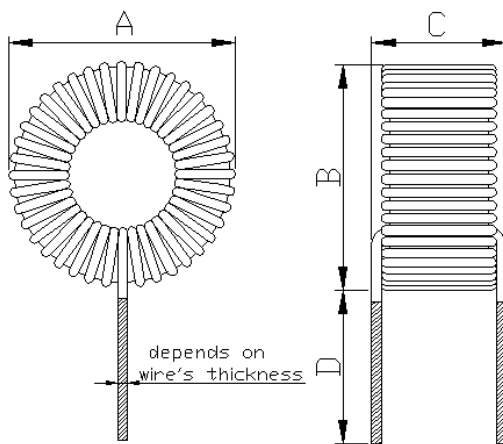


Fig.1 NVS330N- SERIES

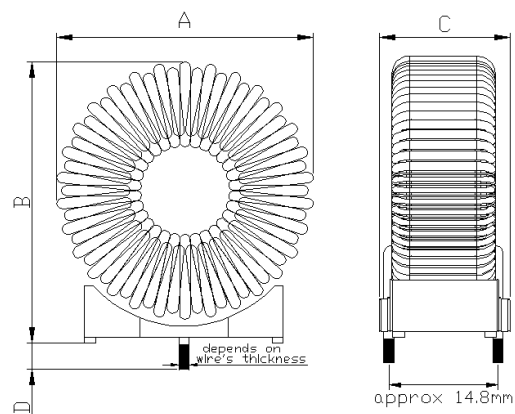


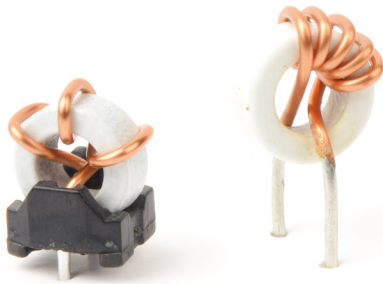
Fig.2 NVS330B- SERIES

MODEL TYPE	A(mm)	B(mm)	C(mm)	D(mm)
NVS330N(FIG.1)	38.0	38.0	15.0	15.0±5.0
NVS330B(FIG.2)	40.0	42.0	20.0	5.0±1.0

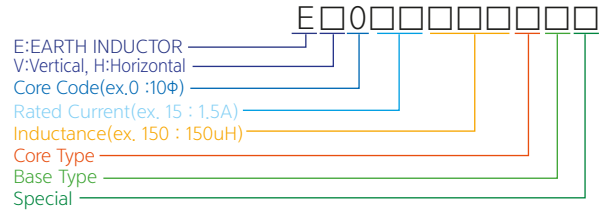
For safety and the proper usage, you are requested to approve our product specification
 This contents subject to change without advance notice. Please check with our sales or R&D before ordering.

Normal

EV-SERIES



PRODUCT NAME MEANING



FEATURES

EV-SERIES Line Filter series is compact in size. And Low Leakage of flux and vibration noise of gap-less structure. This product is often used to connect primary or secondary ground to Earth

APPLICATIONS

For smoothing switching power supplies / For normal mode line filter / For measuring instrument / For noise prevention of SMPS,TV,etc

PART NUMBER AND SPECIFICATIONS

Part No.	Rated current(A)	Inductance(uH)	DC R(mΩ)	Rated Voltage(V)
E□0B0005N□□	20.0	5.0	4	300
E□0B00018N□□	20.0	18.0	6	300
E□1B0080S□□	20.0	80.0	9	300

Notice

- Operating Temperature Range(Ambient Temperature Range and Winding Temperature Rise) : -30°C to 105°C
- Winding Temperature Rise(at Rated Current)is under 55°C
- Rising temperature is affected by PCB condition and an amount of harmonics. Please make sure that the temperature of the coil is not exceeded the operating temperature range.
- UL94V-0 certified resin used
- Pb-free solder used
- RoHS free
- Custom made Products are also available
- Halogen free available

SHAPE AND DIMENSION

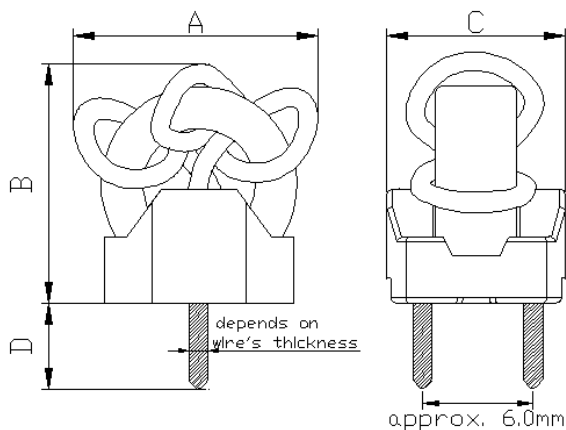


Fig.1 EV0A- SERIES

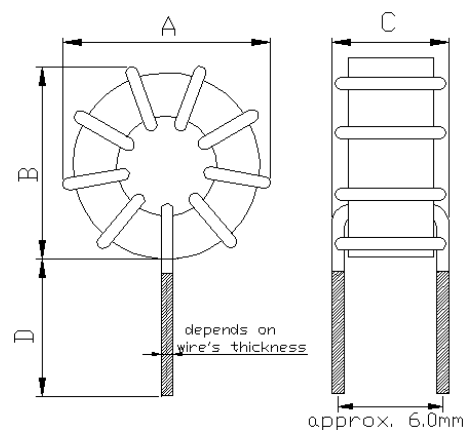
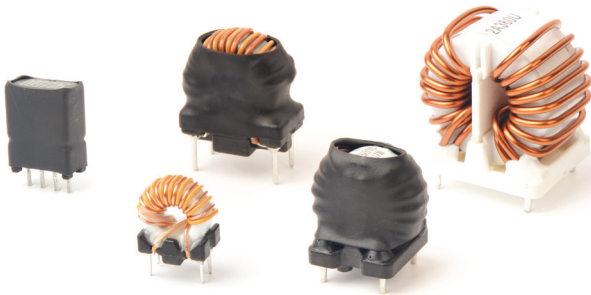


Fig.2 EV0N- SERIES

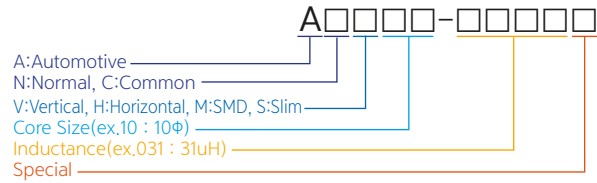
MODEL TYPE	A(mm)	B(mm)	C(mm)	D(mm)
EV0□A(FIG.1)	15.0	14.9	11.0	4.0±1.0
EV0□N(FIG.2)	15.0	14.0	9.0	8.0±2.0

For safety and the proper usage, you are requested to approve our product specification. This contents subject to change without advance notice. Please check with our sales or R&D before ordering.

Automotive ACV SERIES



PRODUCT NAME MEANING



PART NUMBER AND SPECIFICATIONS

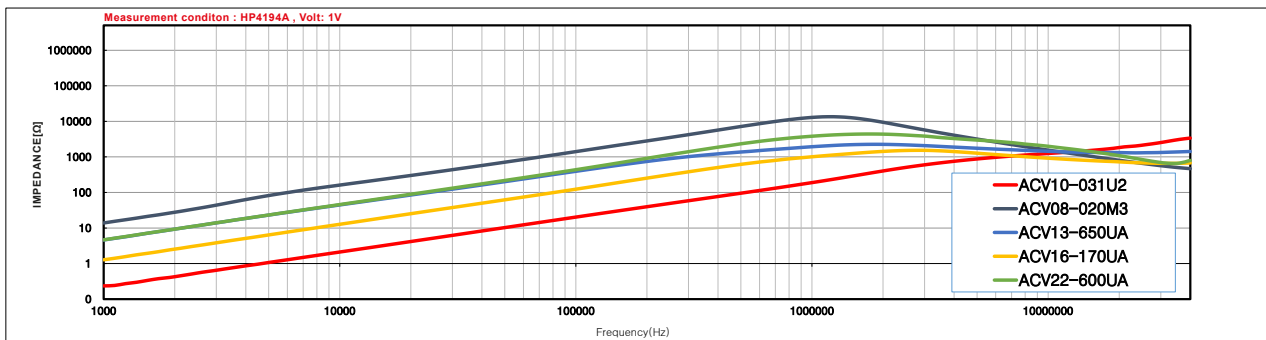
Part No.	Rated current(A)	Inductance(uH)	DC R(mΩ)	Rated Voltage(V)
ACV08-020M3	0.5	2000.0	400	DC 30
ACV10-031U2	4.0	31.0	21	DC 120
ACV13-650UA	4.0	650.0	34	DC 100
ACV16-170UA	15.0	170.0	8	DC 450
ACV22-600UA	13.0	600.0	12	DC 450

Notice

- Operating Temperature Range(Ambient Temperature Range and Winding Temperature Rise) : -40°C to 130°C
- Winding Temperature Rise(at Rated Current)is under 55°C
- Rising temperature is affected by PCB condition and an amount of harmonics.
- Please make sure that the temperature of the coil is not exceeded the operating temperature range.

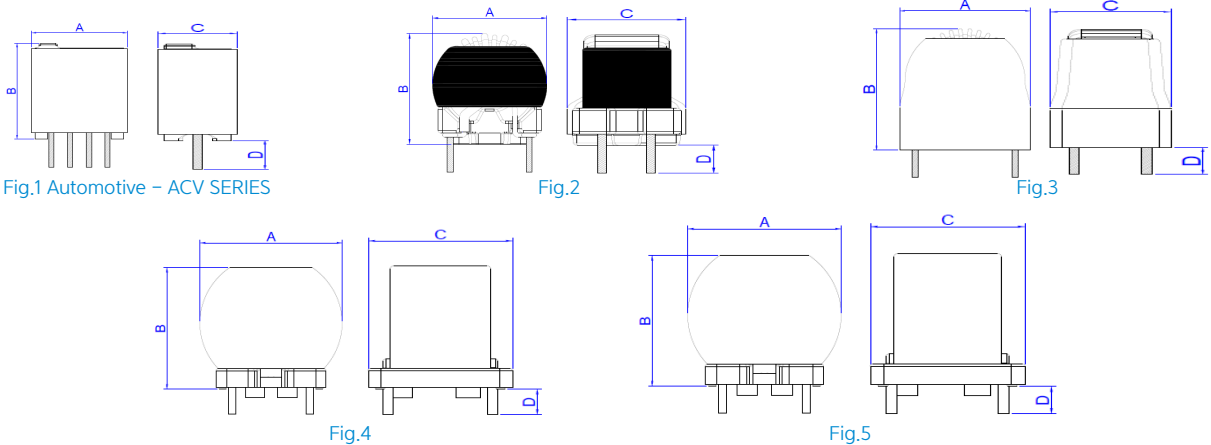
- Automotive Apply
- AEC-Q200 Reliability Test Complete
- UL94 V-0 certified resin used
- Pb-free solder used
- RoHS free
- Custom made Products are also available

IMPEDANCE CHARACTERISTIC GRAPH



For safety and the proper usage, you are requested to approve our product specification
 This contents subject to change without advance notice. Please check with our sales or R&D before ordering.

SHAPE AND DIMENSION

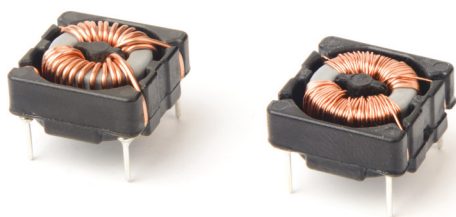


MODEL TYPE	A(mm)	B(mm)	C(mm)	D(mm)
Automotive(FIG.1)	13.0	15.5	8.0	4.0±1.0
Automotive(FIG.2)	14.0	15.0	11.0	3.2±0.5
Automotive(FIG.3)	18.0	20.0	11.0	3.8±0.5

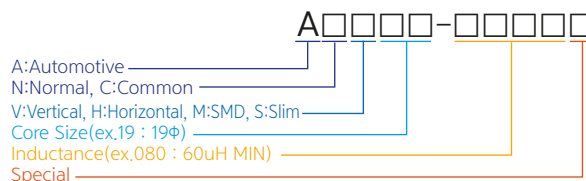
MODEL TYPE	A(mm)	B(mm)	C(mm)	D(mm)
Automotive (FIG.4)	23.0	21.0	19.0	3.5±0.5
Automotive (FIG.5)	29.0	29.0	22.5	3.5±0.5

For safety and the proper usage, you are requested to approve our product specification
 This contents subject to change without advance notice. Please check with our sales or R&D before ordering.

Automotive ACH SERIES



PRODUCT NAME MEANING



PART NUMBER AND SPECIFICATIONS

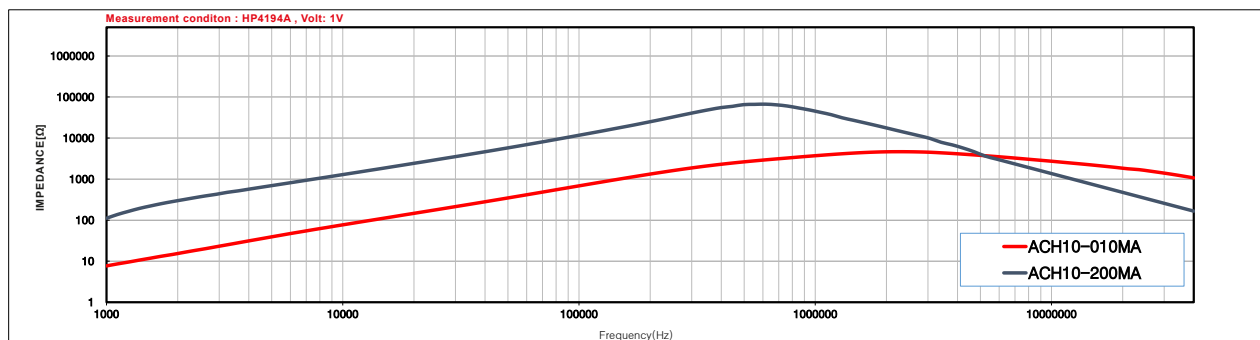
Part No.	Rated current(A)	Inductance(mH)	DC R(mΩ)	Rated Voltage(V)
ACH10-010MA	2.5	1.0	3.6	DC 300
ACH10-200MA	0.5	20.0	1194	DC 250

Notice

- Operating Temperature Range(Ambient Temperature Range and Winding Temperature Rise) : -40°C to 105°C
- Winding Temperature Rise(at Rated Current)is under 55°C
- Rising temperature is affected by PCB condition and an amount of harmonics.
- Please make sure that the temperature of the coil is not exceeded the operating temperature range.

- Automotive Apply
- AEC-Q200 Reliability Test Complete
- UL94 V-0 certified resin used
- Pb-free solder used
- RoHS free
- Custom made Products are also available

IMPEDANCE CHARACTERISTIC GRAPH



For safety and the proper usage, you are requested to approve our product specification
This contents subject to change without advance notice. Please check with our sales or R&D before ordering.

SHAPE AND DIMENSION

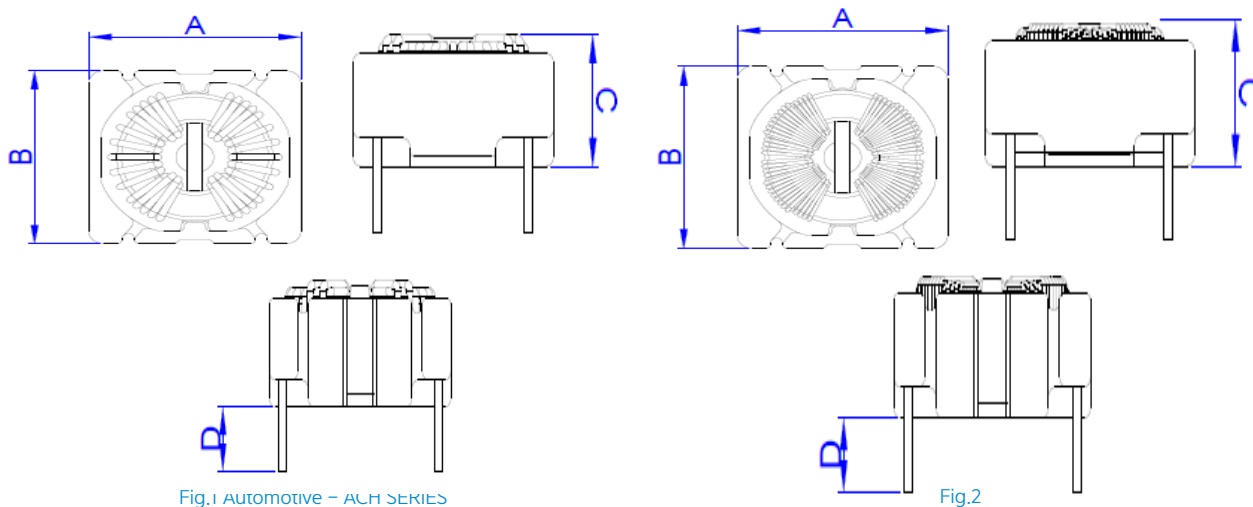


Fig.1 Automotive - ACH SERIES

Fig.2

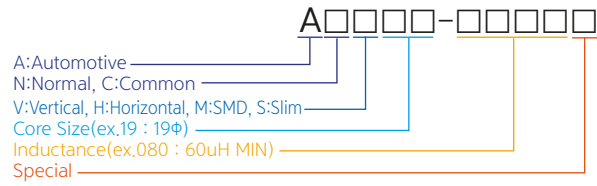
MODEL TYPE	A(mm)	B(mm)	C(mm)	D(mm)
Automotive(FIG.1)	14.5	14.5	8.0	4.0±1.0
Automotive(FIG.2)	14.5	14.5	8.0	4.0±1.0

For safety and the proper usage, you are requested to approve our product specification
This contents subject to change without advance notice. Please check with our sales or R&D before ordering.

Automotive ACS SERIES



PRODUCT NAME MEANING



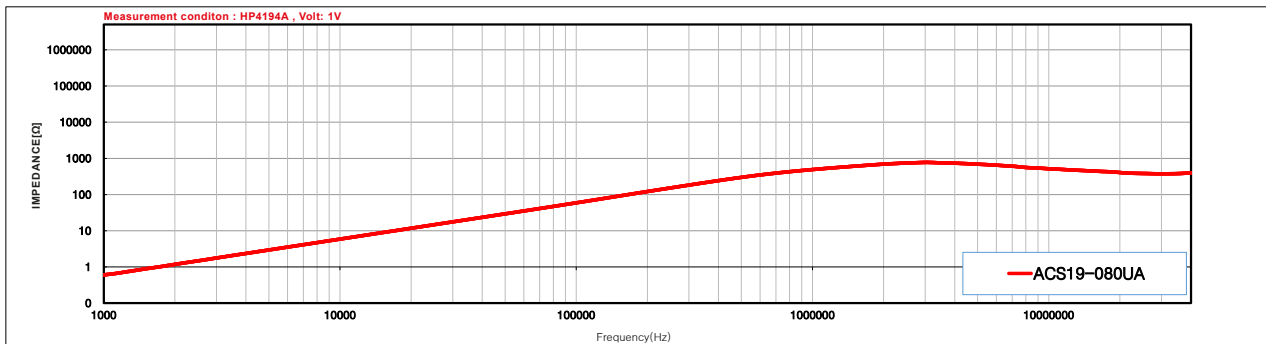
PART NUMBER AND SPECIFICATIONS

Part No.	Rated current(A)	Inductance(mH)	DC R(mΩ)	Rated Voltage(V)
ACS19-080UA	20.0	80.0	4	DC 400

Notice

- Operating Temperature Range(Ambient Temperature Range and Winding Temperature Rise) : -40°C to 120°C
- Winding Temperature Rise(at Rated Current)is under 55°C
- Rising temperature is affected by PCB condition and an amount of harmonics.
Please make sure that the temperature of the coil is not exceeded the operating temperature range.
- Automotive Apply
- AEC-Q200 Reliability Test Complete
- UL94 V-0 certified resin used
- Pb-free solder used
- RoHS free
- Custom made Products are also available

IMPEDANCE CHARACTERISTIC GRAPH



For safety and the proper usage, you are requested to approve our product specification
 This contents subject to change without advance notice. Please check with our sales or R&D before ordering.

SHAPE AND DIMENSION

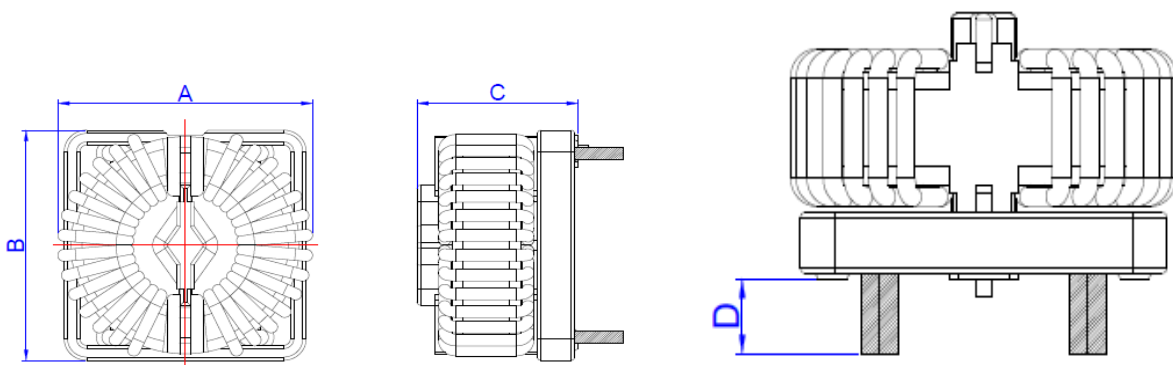
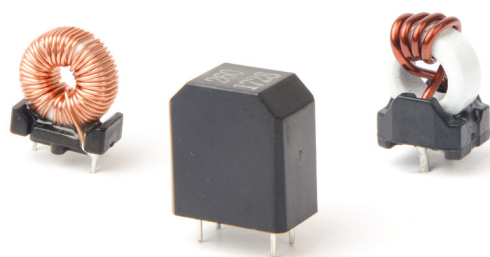


Fig.1 Automotive - ACH SERIES

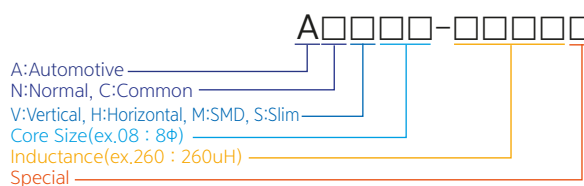
MODEL TYPE	A(mm)	B(mm)	C(mm)	D(mm)
Automotive(FIG.1)	26.0	24.0	16.5	4.1±1.0

For safety and the proper usage, you are requested to approve our product specification
 This contents subject to change without advance notice. Please check with our sales or R&D before ordering.

Automotive ANV SERIES



PRODUCT NAME MEANING



PART NUMBER AND SPECIFICATIONS

Part No.	Rated current(A)	Inductance(uH)	DC R(mΩ)	Rated Voltage(V)
ANV09-080U2	2.0	80.0	120	DC 120
ANV09-260UA	1.0	260.0	522.0	DC 450
ANV10-007UA	13.0	7.5	6	DC 100

Notice

- Operating Temperature Range(Ambient Temperature Range and Winding Temperature Rise) : -40°C to 130°C
- Winding Temperature Rise(at Rated Current)is under 55°C
- Rising temperature is affected by PCB condition and an amount of harmonics.
Please make sure that the temperature of the coil is not exceeded the operating temperature range.

- Automotive Apply
- AEC-Q200 Reliability Test Complete
- UL94 V-0 certified resin used
- Pb-free solder used
- RoHS free
- Custom made Products are also available

For safety and the proper usage, you are requested to approve our product specification
This contents subject to change without advance notice. Please check with our sales or R&D before ordering.

SHAPE AND DIMENSION

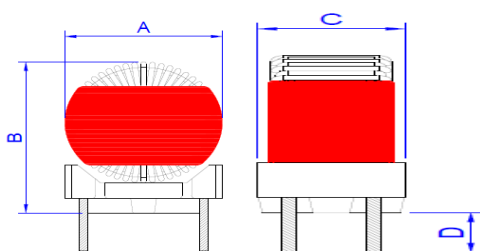


Fig.1 Automotive - ANV SERIES

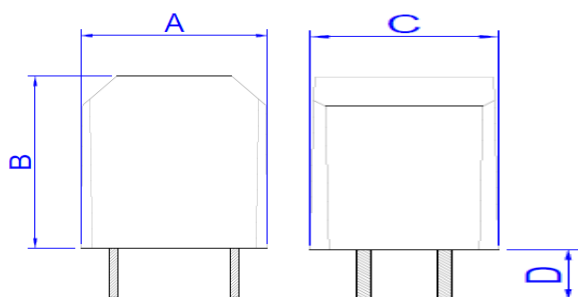


Fig.2

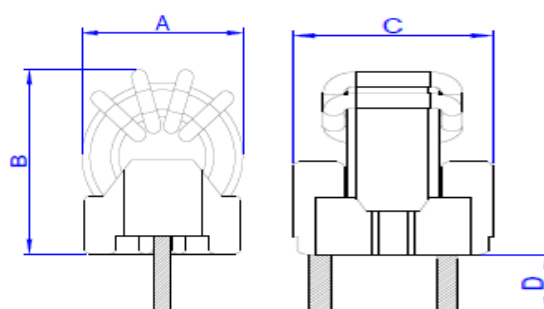


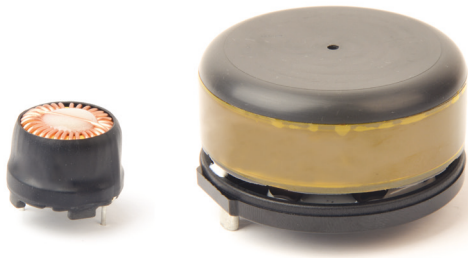
Fig.3

MODEL TYPE	A(mm)	B(mm)	C(mm)	D(mm)
Automotive(FIG.1)	13.0	15.0	8.0	3.4±0.5
Automotive(FIG.2)	14.0	15.0	8.5	3.4±0.5
Automotive(FIG.3)	12.0	15.0	10.5	4.0±1.0

For safety and the proper usage, you are requested to approve our product specification
This contents subject to change without advance notice. Please check with our sales or R&D before ordering.

TNC AUTOMOTIVE

Automotive ANH SERIES



PRODUCT NAME MEANING



PART NUMBER AND SPECIFICATIONS

Part No.	Rated current(A)	Inductance(uH)	DC R(mΩ)	Rated Voltage(V)
ANH13-045UA	4.0	45.0	67	DC 300
ANH33-010UA	60.0	10.5	1.05	DC 300
ANH33-010UB	60.0	10.5	1.05	DC 120

Notice

- Operating Temperature Range(Ambient Temperature Range and Winding Temperature Rise) : -40°C to 120°C
- Winding Temperature Rise(at Rated Current)is under 55°C
- Rising temperature is affected by PCB condition and an amount of harmonics.
Please make sure that the temperature of the coil is not exceeded the operating temperature range.

- Automotive Apply
- AEC-Q200 Reliability Test Complete
- UL94 V-0 certified resin used
- Pb-free solder used
- RoHS free
- Custom made Products are also available

For safety and the proper usage, you are requested to approve our product specification
This contents subject to change without advance notice. Please check with our sales or R&D before ordering.

SHAPE AND DIMENSION

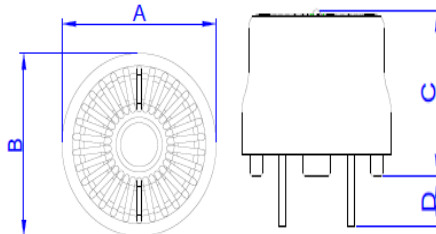


Fig.1 Automotive - ANV SERIES

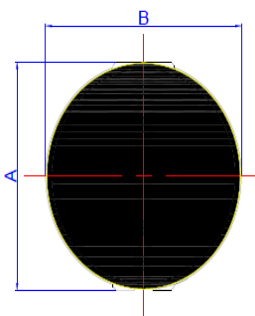


Fig.2

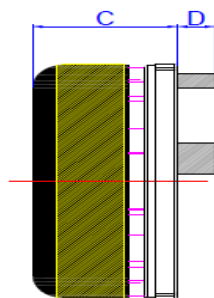


Fig.3

MODEL TYPE	A(mm)	B(mm)	C(mm)	D(mm)
Automotive(FIG.1)	18.5	18.5	13.5	3.8±0.5
Automotive(FIG.2)	42.0	42.1	22.0	5.0±0.5
Automotive(FIG.3)	42.6	44.5	22.2	5.0±1.0

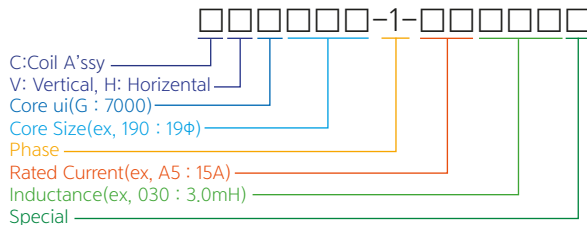
For safety and the proper usage, you are requested to approve our product specification
This contents subject to change without advance notice. Please check with our sales or R&D before ordering.

Coil A'ssy (Ground Line)

CVG190-1-75030 SERIES



PRODUCT NAME MEANING

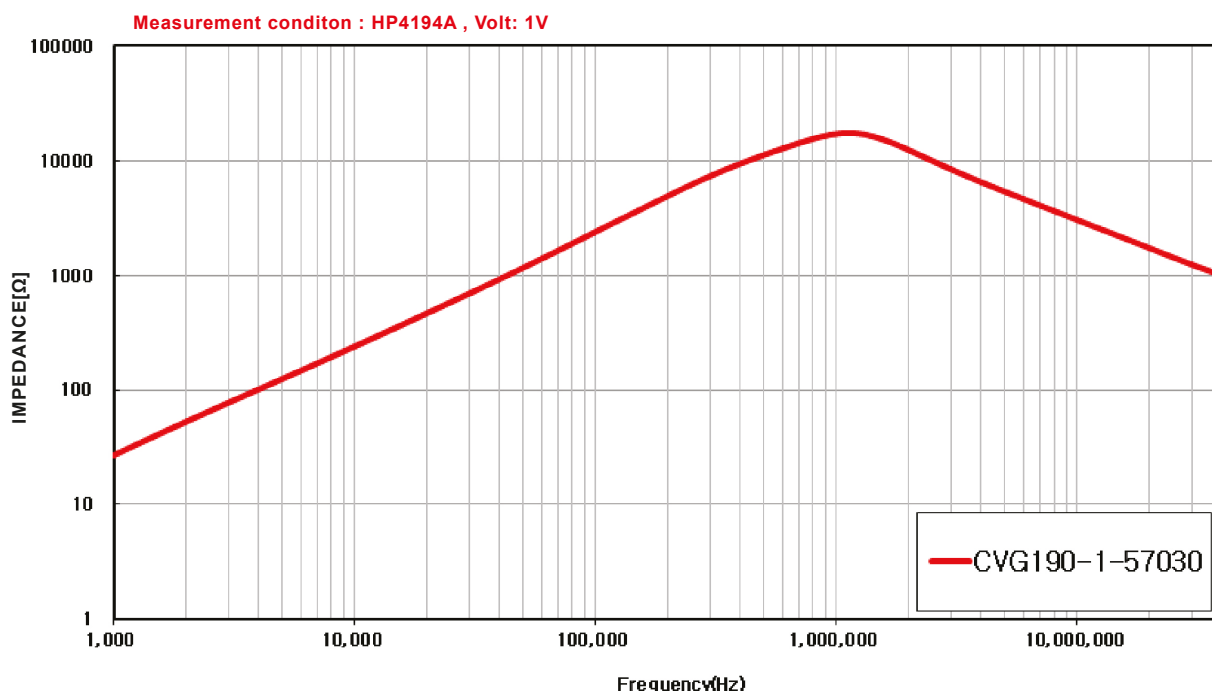


PART NUMBER AND SPECIFICATIONS

Part No.	Rated current(A)	Inductance(mH)	DC R(mΩ)	Rated Voltage(V)	Harness Wire
CVG190-1-75030A	7.5	3.0	200	300V	AWG 12

Notice

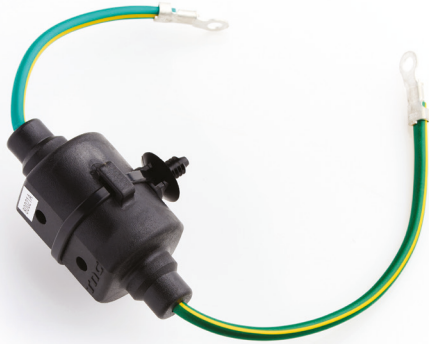
- Operating Temperature Range(Ambient Temperature Range and Winding Temperature Rise) : -30°C to 105°C
- Winding Temperature Rise(at Rated Current)is under 55°C
- Rising temperature is affected by PCB condition and an amount of harmonics.
Please make sure that the temperature of the coil is not exceeded the operating temperature range.
- UL94V-0 certified resin used
- Pb-free solder used
- RoHS free
- Custom made Products are also available



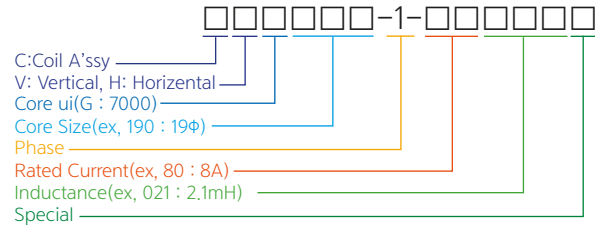
For safety and the proper usage, you are requested to approve our product specification
This contents subject to change without advance notice. Please check with our sales or R&D before ordering.

Coil A'ssy (Ground Line)

CVG190-1-80021 SERIES



■ PRODUCT NAME MEANING

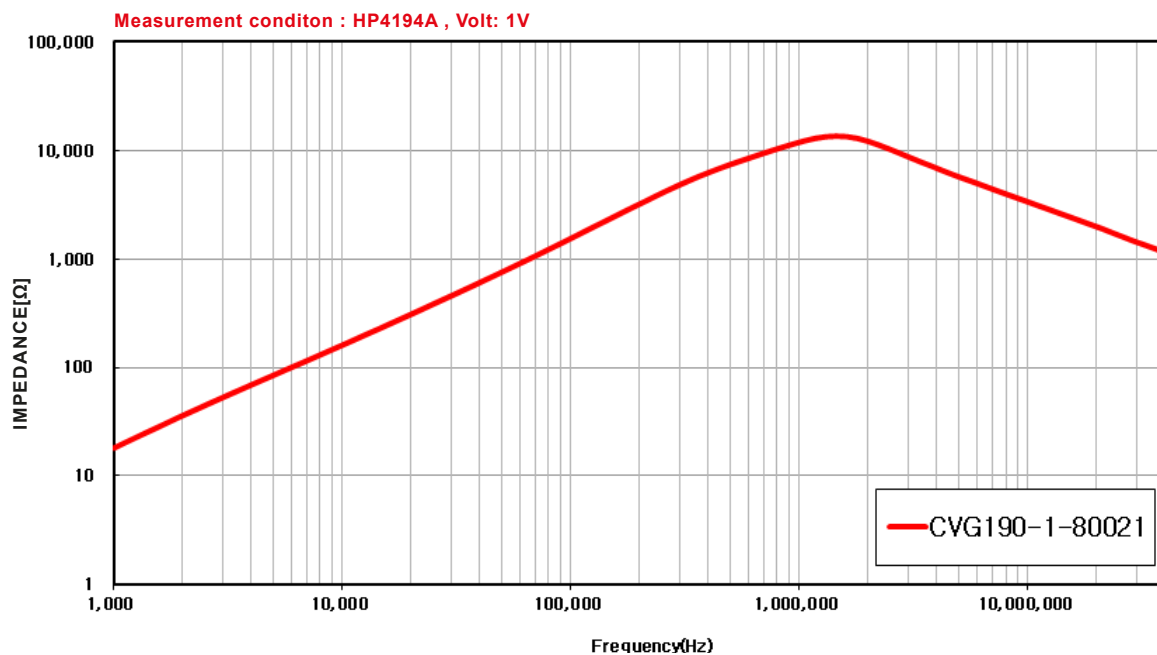


■ PART NUMBER AND SPECIFICATIONS

Part No.	Rated current(A)	Inductance(mH)	DC R(mΩ)	Rated Voltage(V)	Harness Wire
CVG190-1-80021B	8.0	2.1	200	300	AWG 12
CVG190-1-80021B	8.0	2.1	200	300	AWG 12
CVG190-1-80021C	8.0	2.1	200	300	AWG 12

Notice

- Operating Temperature Range(Ambient Temperature Range and Winding Temperature Rise) : -30°C to 105°C
- Winding Temperature Rise(at Rated Current)is under 55°C
- Rising temperature is affected by PCB condition and an amount of harmonics.
Please make sure that the temperature of the coil is not exceeded the operating temperature range.
- UL94V-0 certified resin used
- Pb-free solder used
- RoHS free
- Custom made Products are also available



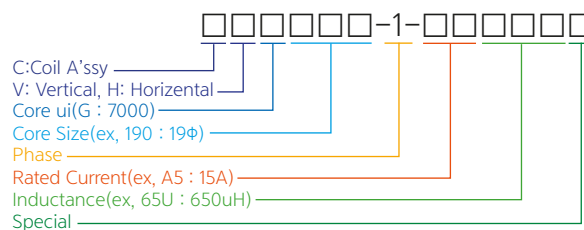
For safety and the proper usage, you are requested to approve our product specification
This contents subject to change without advance notice. Please check with our sales or R&D before ordering.

Coil A'ssy (Ground Line)

CVG190-1-A565U SERIES



■ PRODUCT NAME MEANING

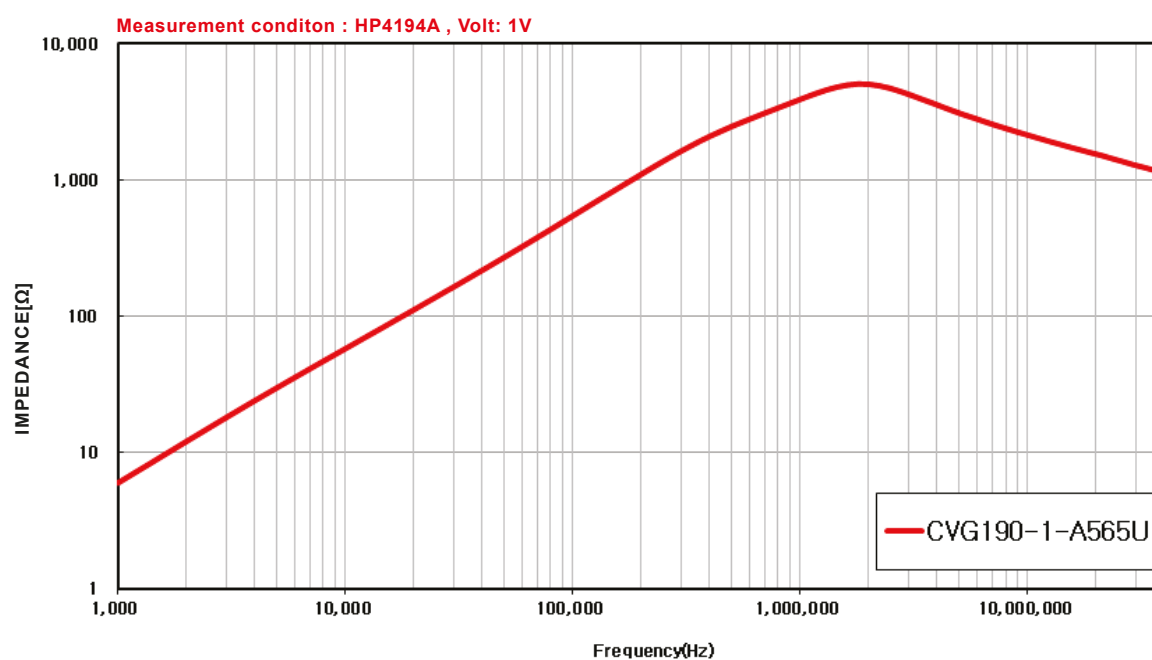


■ PART NUMBER AND SPECIFICATIONS

Part No.	Rated current(A)	Inductance(mH)	DC R(mΩ)	Rated Voltage(V)	Harness Wire
CVG190-1-A565UC	15.0	0.9	200	300	AWG 12
CVG190-1-A565UD	15.0	0.9	200	300	AWG 12
CVG190-1-A565UE	15.0	0.9	200	300	AWG 12
CVG190-1-A565UG	15.0	0.9	200	300	AWG 12

Notice

- Operating Temperature Range(Ambient Temperature Range and Winding Temperature Rise) : -30°C to 105°C
- Winding Temperature Rise(at Rated Current)is under 55°C
- Rising temperature is affected by PCB condition and an amount of harmonics.
Please make sure that the temperature of the coil is not exceeded the operating temperature range.
- UL94V-0 certified resin used
- Pb-free solder used
- RoHS free
- Custom made Products are also available



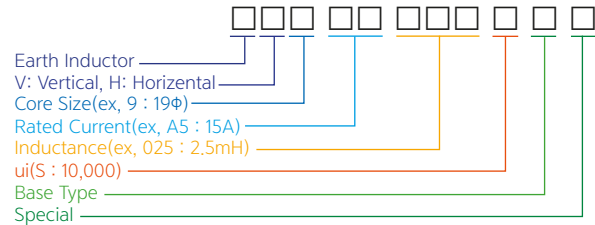
For safety and the proper usage, you are requested to approve our product specification
This contents subject to change without advance notice. Please check with our sales or R&D before ordering.

Coil A'ssy (Ground Line)

EV9A5025SN SERIES



PRODUCT NAME MEANING

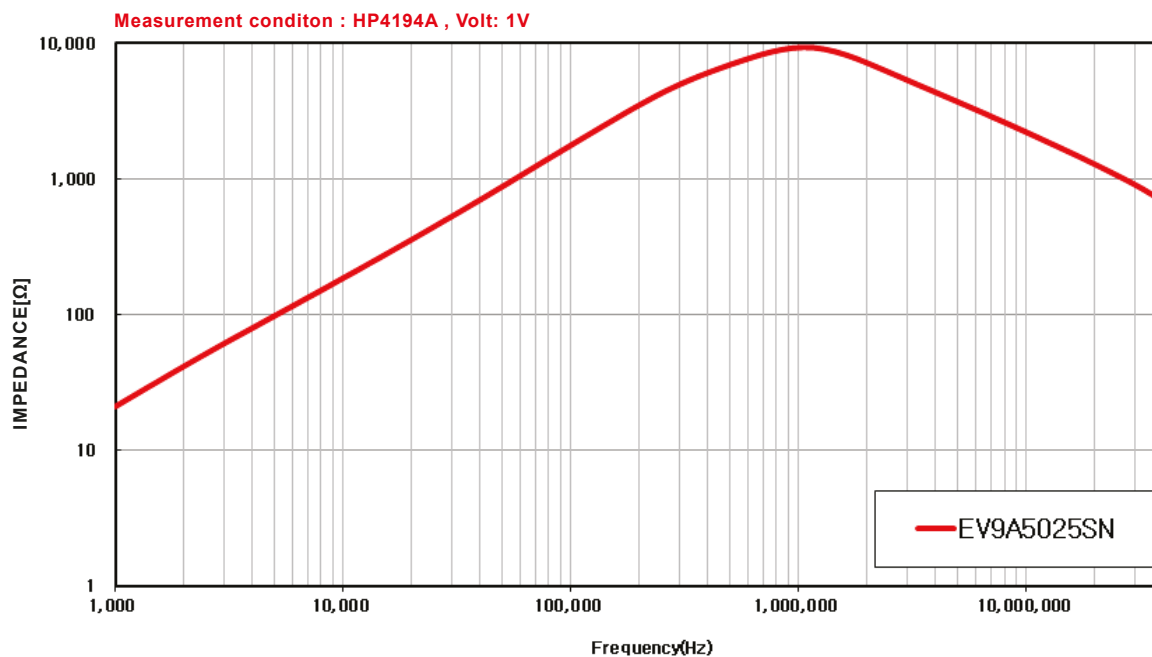


PART NUMBER AND SPECIFICATIONS

Part No.	Rated current(A)	Inductance(mH)	DC R(mΩ)	Rated Voltage(V)	Harness Wire
EV9A5025SNA	15.0	2.5	200	300	AWG 14
EV9A5025SNB	15.0	2.5	200	300	AWG 14
EV9A5025SNC	15.0	2.5	200	300	AWG 14
EV9A5025SND	15.0	2.5	200	300	AWG 14
EV9A5025SNE	15.0	2.5	200	300	AWG 14

Notice

- Operating Temperature Range(Ambient Temperature Range and Winding Temperature Rise) : -30°C to 105°C
- Winding Temperature Rise(at Rated Current)is under 55°C
- Rising temperature is affected by PCB condition and an amount of harmonics.
Please make sure that the temperature of the coil is not exceeded the operating temperature range.
- UL94V-0 certified resin used
- Pb-free solder used
- RoHS free
- Custom made Products are also available



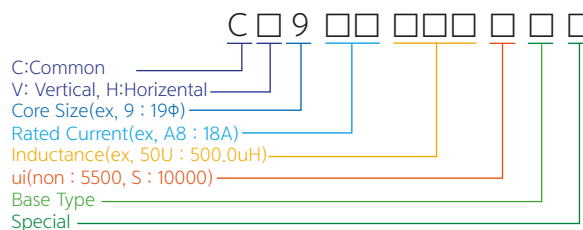
For safety and the proper usage, you are requested to approve our product specification
 This contents subject to change without advance notice. Please check with our sales or R&D before ordering.

Coil A'ssy (Power Line)

CH9A850USN SERIES



PRODUCT NAME MEANING

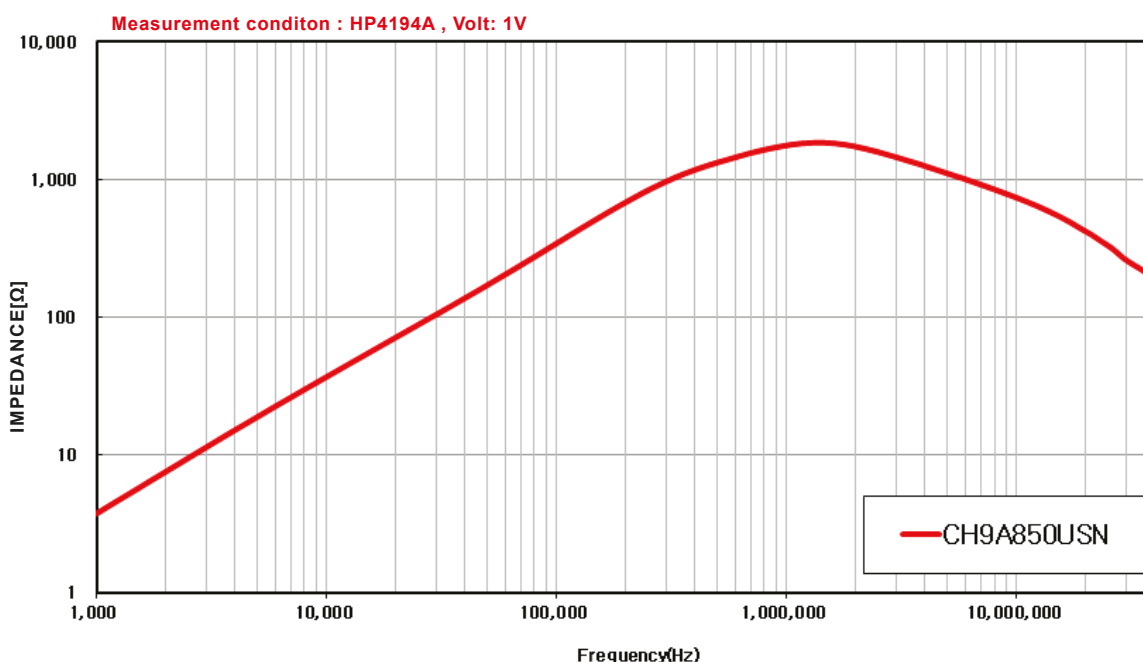


PART NUMBER AND SPECIFICATIONS

Part No.	Rated current(A)	Inductance(uH)	DC R(mΩ)	Rated Voltage(V)	Harness Wire
CH9A850USNA	18.0	500.0	200	300	AWG 12
CH9A850USNB	18.0	500.0	200	300	AWG 12
CH9A850USND	18.0	500.0	200	300	AWG 12

Notice

- Operating Temperature Range(Ambient Temperature Range and Winding Temperature Rise) : -30°C to 105°C
- Winding Temperature Rise(at Rated Current)is under 55°C
- Rising temperature is affected by PCB condition and an amount of harmonics.
Please make sure that the temperature of the coil is not exceeded the operating temperature range.
- UL94V-0 certified resin used
- Pb-free solder used
- RoHS free
- Custom made Products are also available



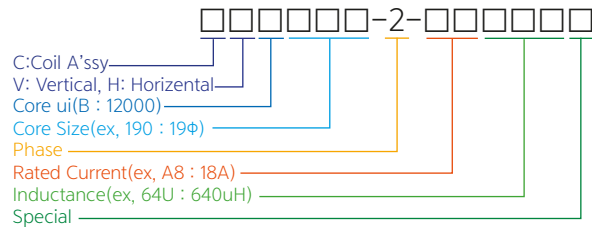
For safety and the proper usage, you are requested to approve our product specification
 This contents subject to change without advance notice. Please check with our sales or R&D before ordering.

Coil A'ssy (Power Line)

CVB190-2-A864U SERIES



■ PRODUCT NAME MEANING

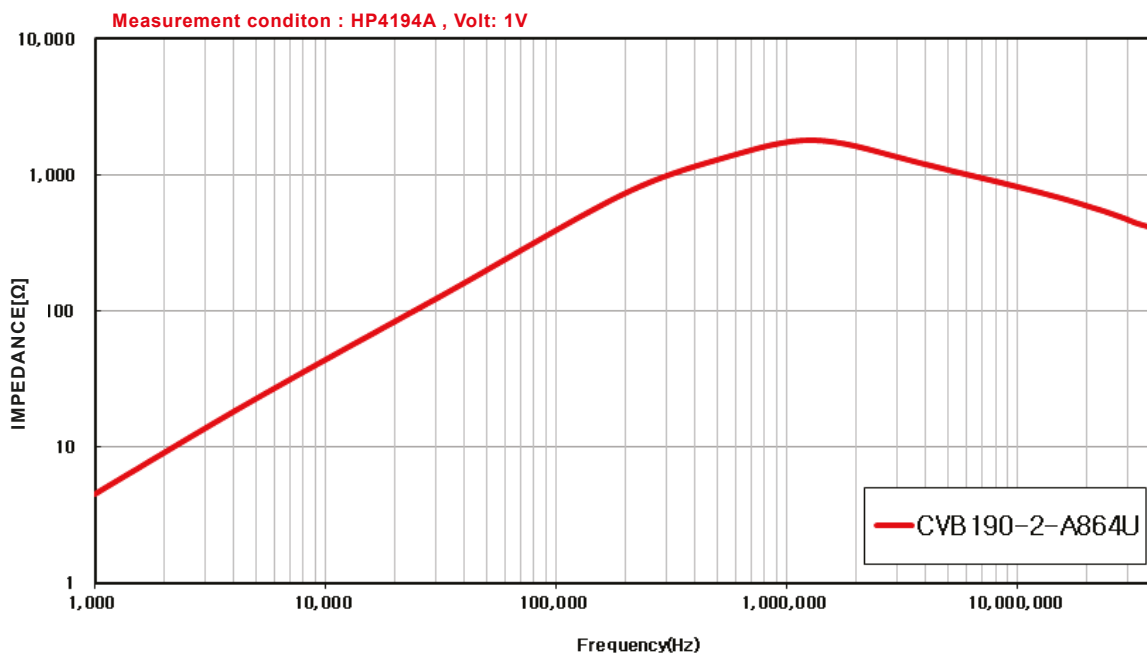


■ PART NUMBER AND SPECIFICATIONS

Part No.	Rated current(A)	Inductance(uH)	DC R(mΩ)	Rated Voltage(V)	Harness Wire
CVB190-2-A864UB	18.0	640.0	200	300	AWG 12
CVB190-2-A864UD	18.0	640.0	200	300	AWG 12
CVB190-2-A864UE	18.0	640.0	200	300	AWG 12

Notice

- Operating Temperature Range(Ambient Temperature Range and Winding Temperature Rise) : -30°C to 105°C
- Winding Temperature Rise(at Rated Current)is under 55°C
- Rising temperature is affected by PCB condition and an amount of harmonics.
Please make sure that the temperature of the coil is not exceeded the operating temperature range.
- UL94V-0 certified resin used
- Pb-free solder used
- RoHS free
- Custom made Products are also available



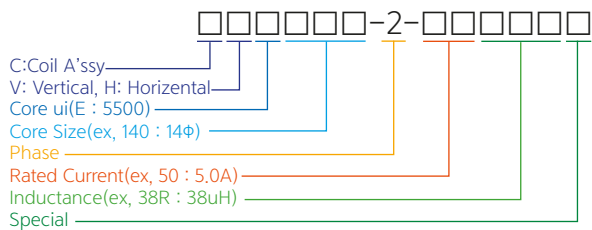
For safety and the proper usage, you are requested to approve our product specification
 This contents subject to change without advance notice. Please check with our sales or R&D before ordering.

Coil A'ssy (Power Line)

CVE140-2-5038R SERIES



PRODUCT NAME MEANING

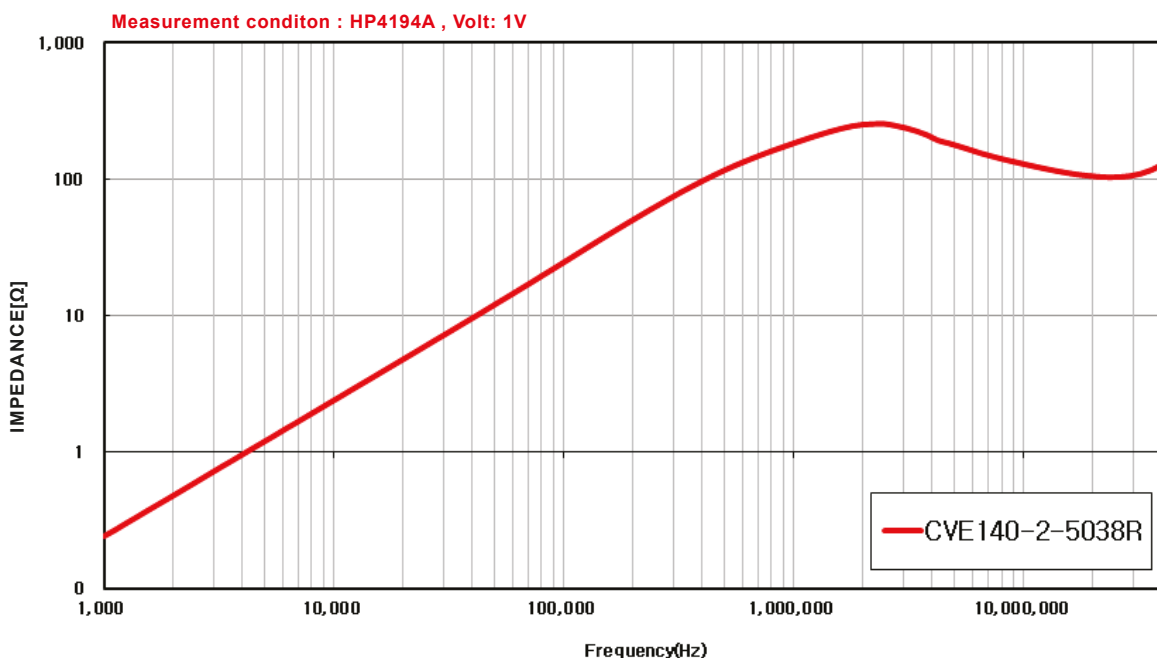


PART NUMBER AND SPECIFICATIONS

Part No.	Rated current(A)	Inductance(uH)	DC R(mΩ)	Rated Voltage(V)	Harness Wire
CVE140-2-5038RA	5.0	38.0	200	300	AWG 18

Notice

- Operating Temperature Range(Ambient Temperature Range and Winding Temperature Rise) : -30°C to 105°C
- Winding Temperature Rise(at Rated Current)is under 55°C
- Rising temperature is affected by PCB condition and an amount of harmonics.
Please make sure that the temperature of the coil is not exceeded the operating temperature range.
- UL94V-0 certified resin used
- Pb-free solder used
- RoHS free
- Custom made Products are also available



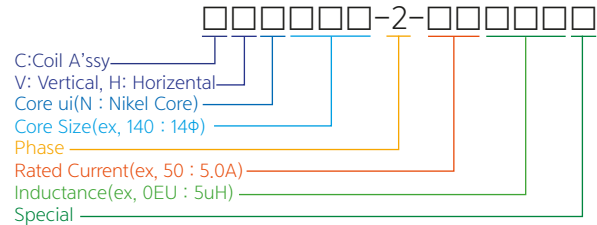
For safety and the proper usage, you are requested to approve our product specification
This contents subject to change without advance notice. Please check with our sales or R&D before ordering.

Coil A'ssy (Power Line)

CVN140-2-500EU SERIES



■ PRODUCT NAME MEANING

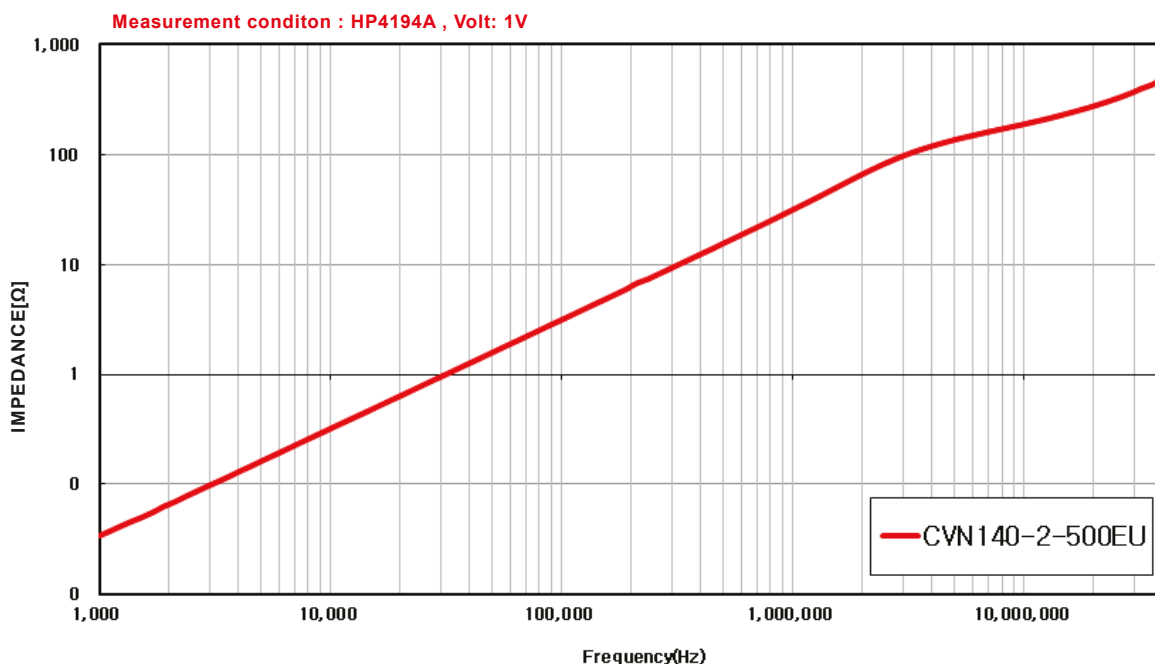


■ PART NUMBER AND SPECIFICATIONS

Part No.	Rated current(A)	Inductance(uH)	DC R(mΩ)	Rated Voltage(V)	Harness Wire
CVN140-2-500EUA	5.0	5.0	200	300	AWG 18
CVN140-2-500EUB	5.0	5.0	200	300	AWG 18
CVN140-2-500EUC	5.0	5.0	200	300	AWG 18

Notice

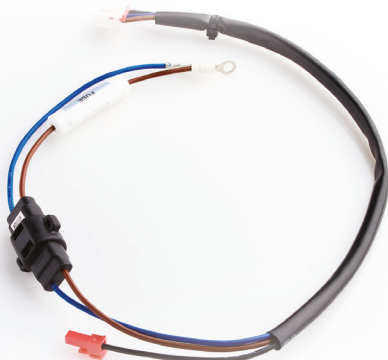
- Operating Temperature Range (Ambient Temperature Range and Winding Temperature Rise) : -30°C to 105°C
- Winding Temperature Rise (at Rated Current) is under 55°C
- Rising temperature is affected by PCB condition and an amount of harmonics.
Please make sure that the temperature of the coil is not exceeded the operating temperature range.
- UL94V-0 certified resin used
- Pb-free solder used
- RoHS free
- Custom made Products are also available



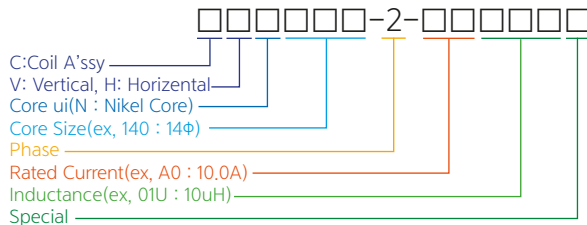
For safety and the proper usage, you are requested to approve our product specification
 This contents subject to change without advance notice. Please check with our sales or R&D before ordering.

Coil A'ssy (Power Line)

CVN140-2-A001U SERIES



PRODUCT NAME MEANING

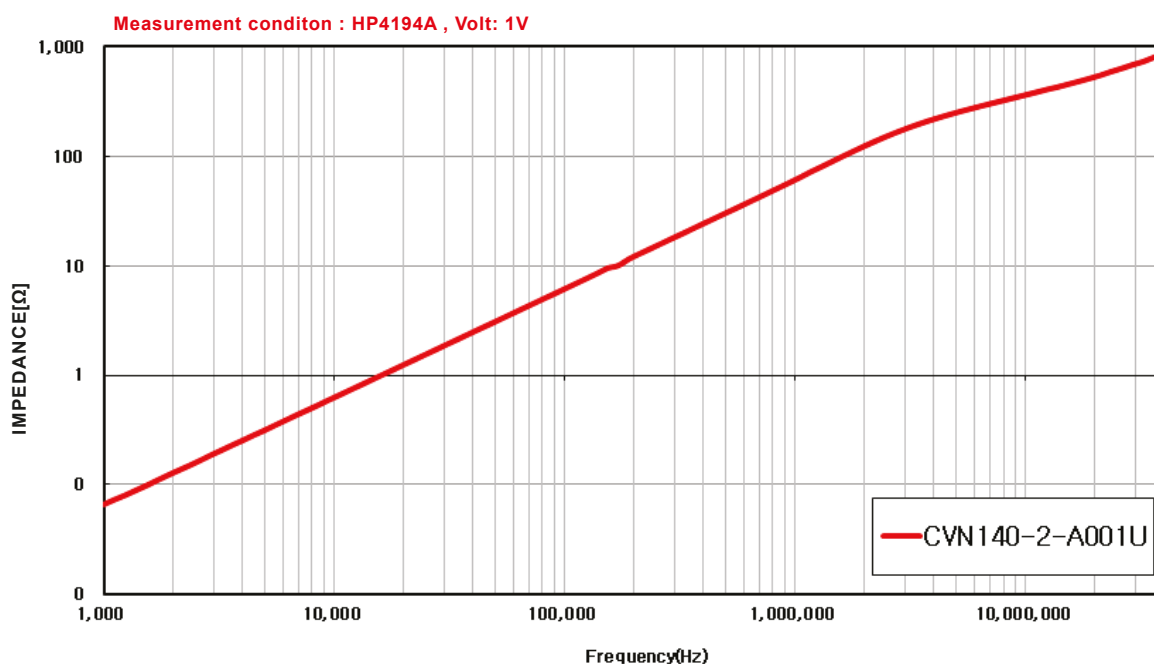


PART NUMBER AND SPECIFICATIONS

Part No.	Rated current(A)	Inductance(uH)	DC R(mΩ)	Rated Voltage(V)	Harness Wire
CVN140-2-A001UB	10.0	9.5	200	300	AWG 18

Notice

- Operating Temperature Range(Ambient Temperature Range and Winding Temperature Rise) : -30°C to 105°C
- Winding Temperature Rise(at Rated Current)is under 55°C
- Rising temperature is affected by PCB condition and an amount of harmonics.
Please make sure that the temperature of the coil is not exceeded the operating temperature range.
- UL94V-0 certified resin used
- Pb-free solder used
- RoHS free
- Custom made Products are also available



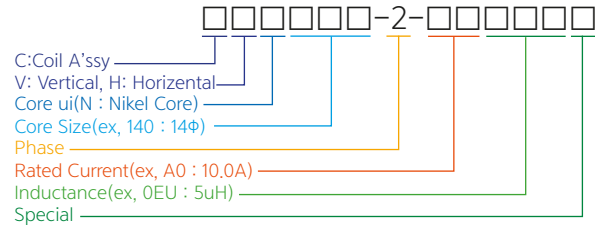
For safety and the proper usage, you are requested to approve our product specification
This contents subject to change without advance notice. Please check with our sales or R&D before ordering.

Coil A'ssy (Power Line)

CVN140-2-A00EU SERIES



PRODUCT NAME MEANING

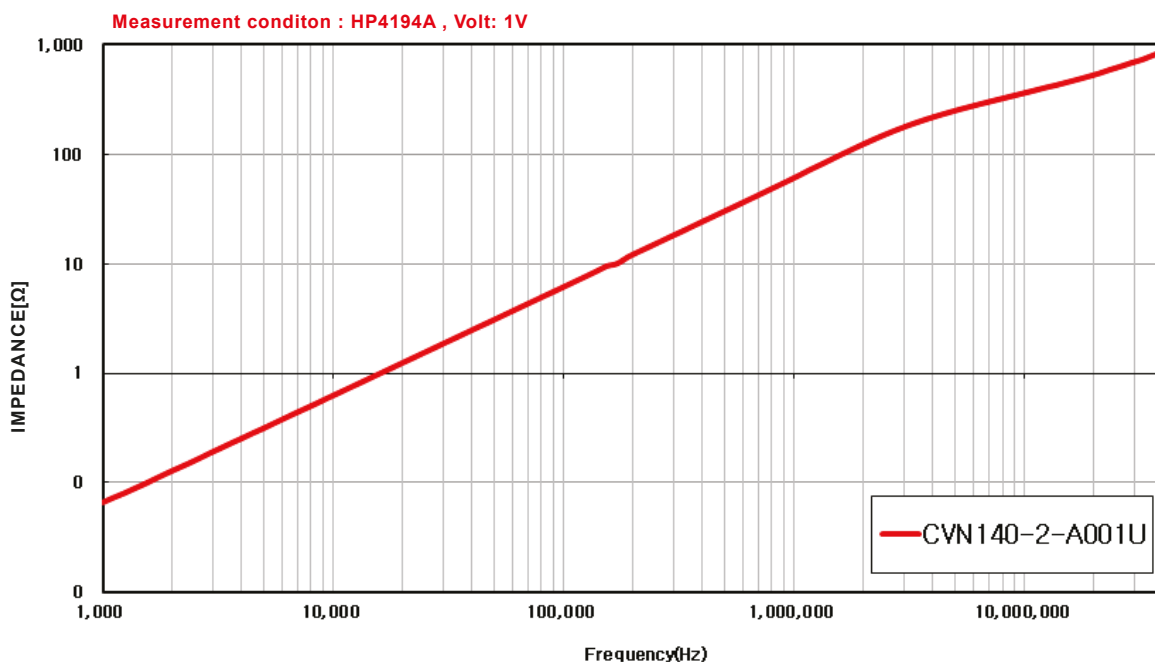


PART NUMBER AND SPECIFICATIONS

Part No.	Rated current(A)	Inductance(uH)	DC R(mΩ)	Rated Voltage(V)	Harness Wire
CVN140-2-A001UB	10.0	5.0	200	300	AWG 18

Notice

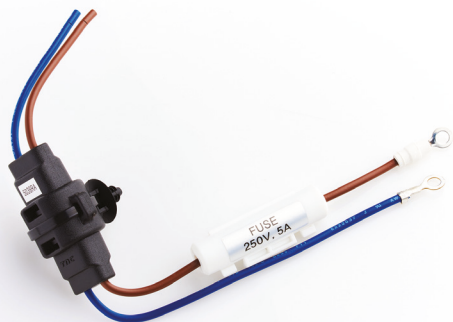
- Operating Temperature Range(Ambient Temperature Range and Winding Temperature Rise) : -30°C to 105°C
- Winding Temperature Rise(at Rated Current)is under 55°C
- Rising temperature is affected by PCB condition and an amount of harmonics.
Please make sure that the temperature of the coil is not exceeded the operating temperature range.
- UL94V-0 certified resin used
- Pb-free solder used
- RoHS free
- Custom made Products are also available



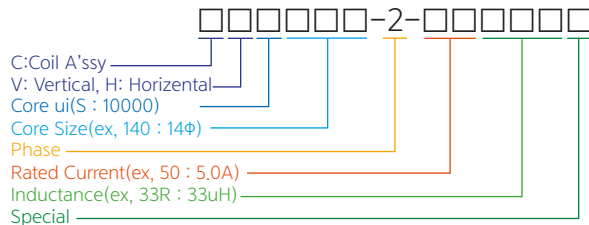
For safety and the proper usage, you are requested to approve our product specification
This contents subject to change without advance notice. Please check with our sales or R&D before ordering.

Coil A'ssy (Ground Line)

CVS140-2-5033R SERIES



PRODUCT NAME MEANING

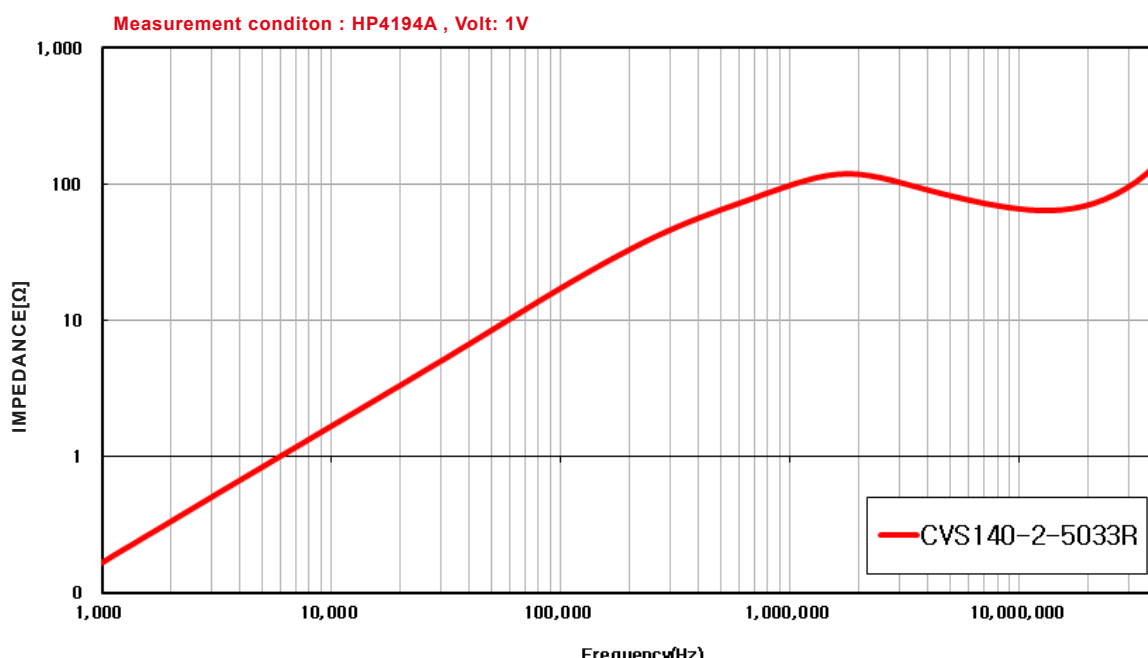


PART NUMBER AND SPECIFICATIONS

Part No.	Rated current(A)	Inductance(uH)	DC R(mΩ)	Rated Voltage(V)	Harness Wire
CVS140-2-5033RA	5.0	33.0	200	300	AWG 18
CVS140-2-5033RB	5.0	33.0	200	300	AWG 18
CVS140-2-5033RC	5.0	33.0	200	300	AWG 18
CVS140-2-5033RD	5.0	33.0	200	300	AWG 18

Notice

- Operating Temperature Range(Ambient Temperature Range and Winding Temperature Rise) : -30°C to 105°C
- Winding Temperature Rise(at Rated Current)is under 55°C
- Rising temperature is affected by PCB condition and an amount of harmonics.
Please make sure that the temperature of the coil is not exceeded the operating temperature range.
- UL94V-0 certified resin used
- Pb-free solder used
- RoHS free
- Custom made Products are also available

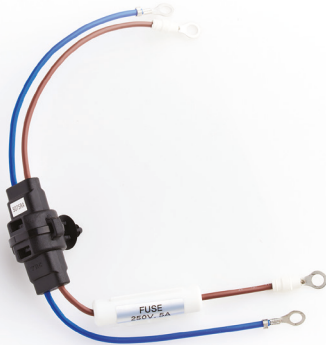


For safety and the proper usage, you are requested to approve our product specification
This contents subject to change without advance notice. Please check with our sales or R&D before ordering.

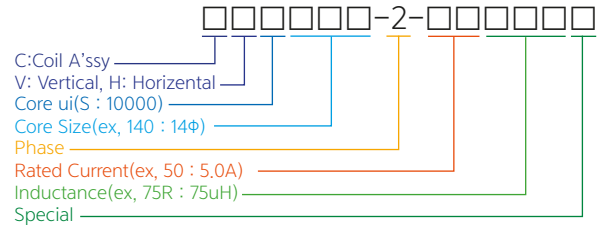
TNC_Coil A'ssy

Coil A'ssy (Power Line)

CVS140-2-5075R SERIES



PRODUCT NAME MEANING

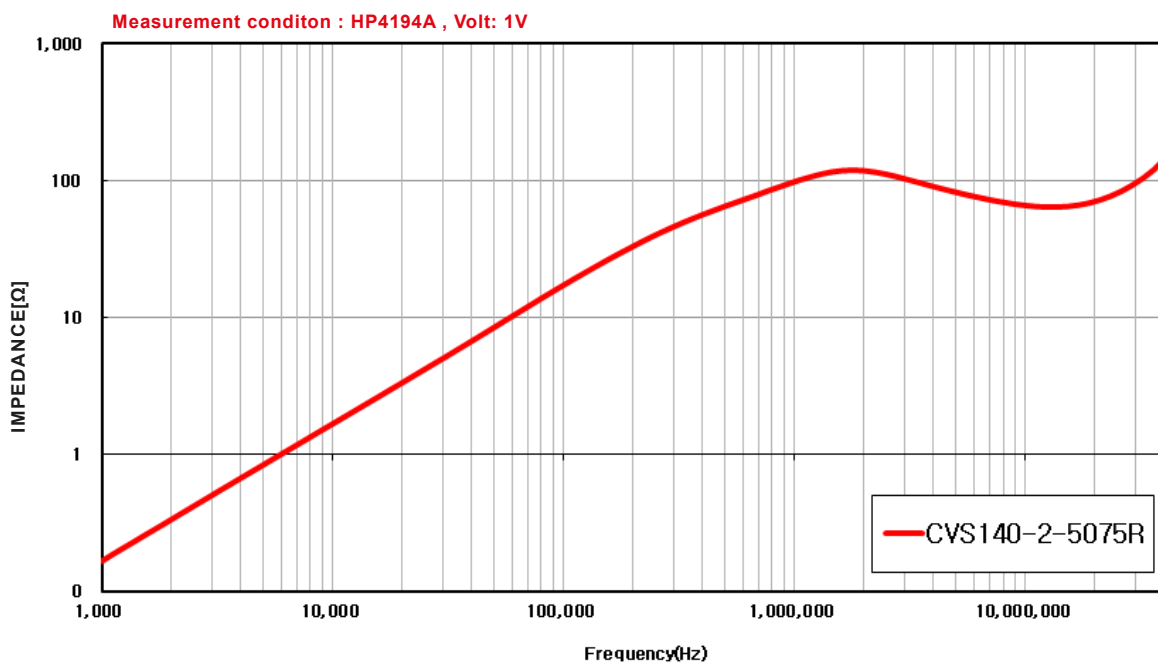


PART NUMBER AND SPECIFICATIONS

Part No.	Rated current(A)	Inductance(uH)	DC R(mΩ)	Rated Voltage(V)	Harness Wire
CVS140-2-5075RA	5.0	75.0	200	300	AWG 18

Notice

- Operating Temperature Range(Ambient Temperature Range and Winding Temperature Rise) : -30°C to 105°C
- Winding Temperature Rise(at Rated Current)is under 55°C
- Rising temperature is affected by PCB condition and an amount of harmonics.
Please make sure that the temperature of the coil is not exceeded the operating temperature range.
- UL94V-0 certified resin used
- Pb-free solder used
- RoHS free
- Custom made Products are also available



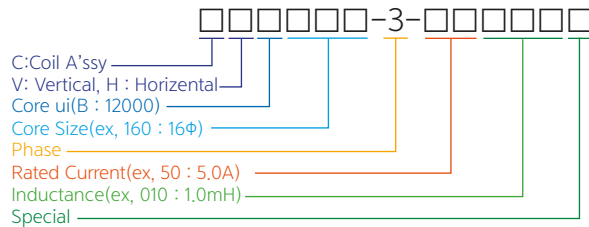
For safety and the proper usage, you are requested to approve our product specification
This contents subject to change without advance notice. Please check with our sales or R&D before ordering.

Coil A'ssy (Comp Line)

CVB160-3-50010 SERIES



PRODUCT NAME MEANING

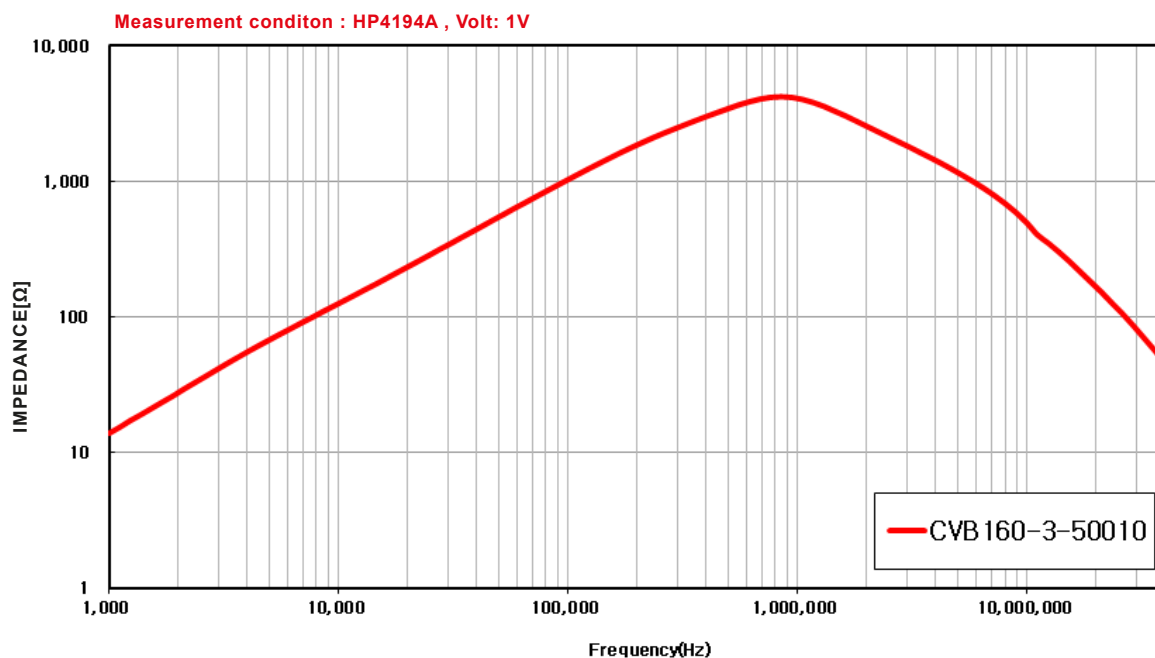


PART NUMBER AND SPECIFICATIONS

Part No.	Rated current(A)	Inductance(mH)	DC R(mΩ)	Rated Voltage(V)	Harness Wire
CVB160-3-50010	5.0	1.9	200	300	IEC 0.5SQ

Notice

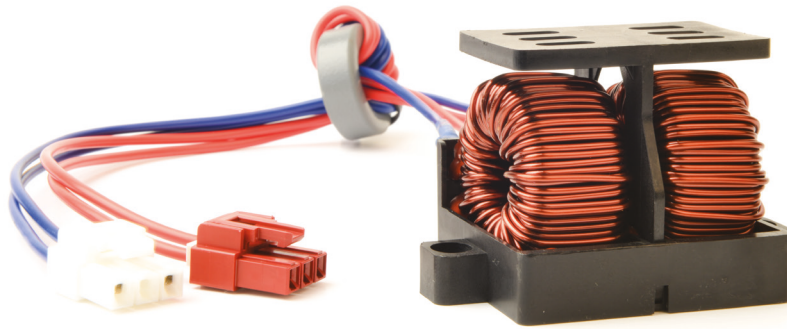
- Operating Temperature Range(Ambient Temperature Range and Winding Temperature Rise) : -30°C to 105°C
- Winding Temperature Rise(at Rated Current)is under 55°C
- Rising temperature is affected by PCB condition and an amount of harmonics.
Please make sure that the temperature of the coil is not exceeded the operating temperature range.
- UL94V-0 certified resin used
- Pb-free solder used
- RoHS free
- Custom made Products are also available



For safety and the proper usage, you are requested to approve our product specification
This contents subject to change without advance notice. Please check with our sales or R&D before ordering.

REACTOR

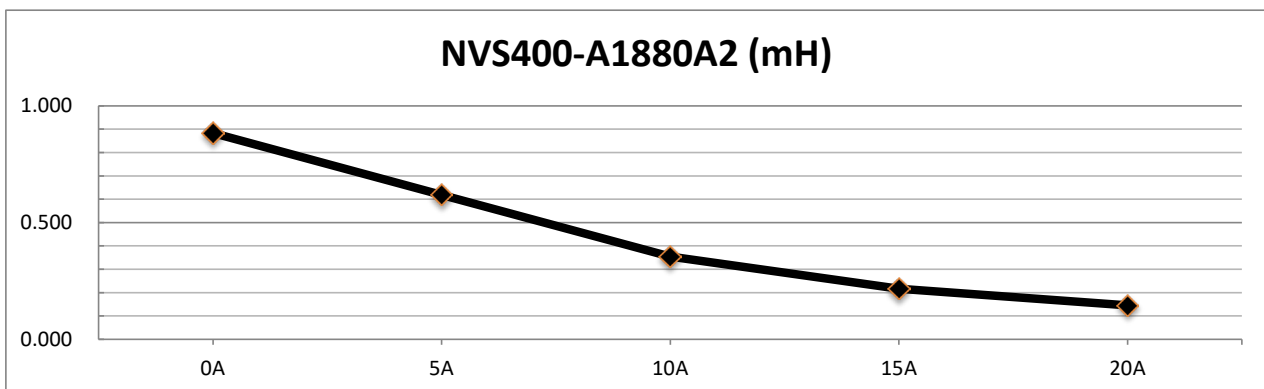
NVS400-A1880A2



STANDARD SPECIFICATIONS

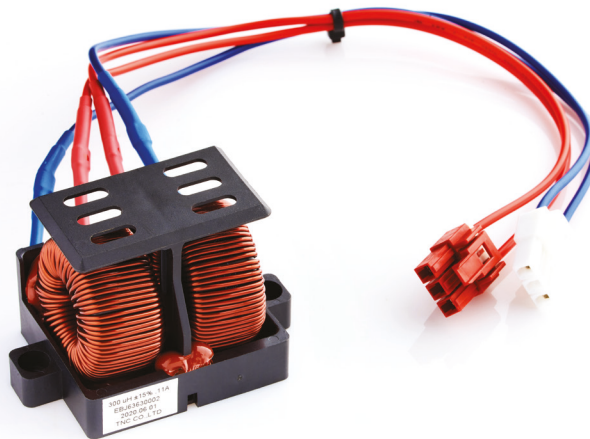
Part No.	NVS400-A1880A2
Division	DC
Capacity	3KW
Form	Toroidal
L (mH)	0.880
Current(A)	11
Wire ϕ	1.50
Turns	86T

Current	DC-BIAS
0A	0.883
5A	0.618
10A	0.354
15A	0.216
20A	0.145



REACTOR

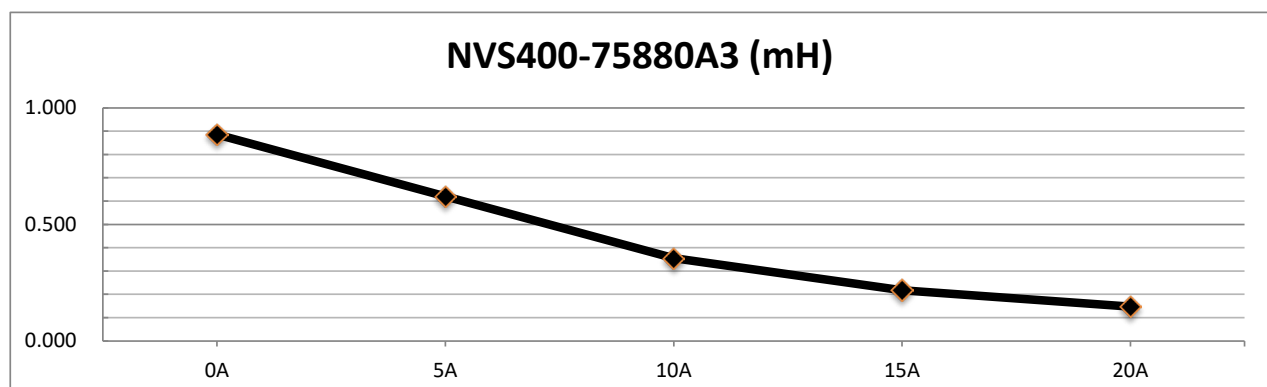
NVS400-75880A3



STANDARD SPECIFICATIONS

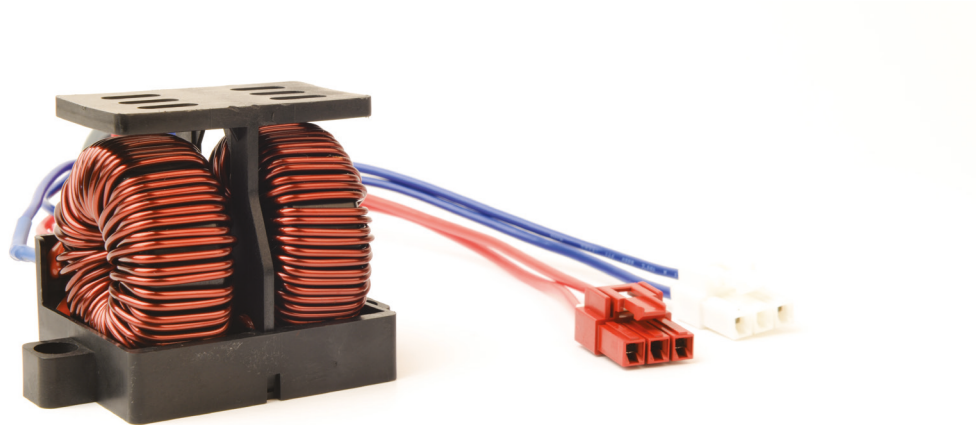
Part No.	NVS400-A1880A2
Division	DC
Capacity	3KW
Form	Toroidal
L (mH)	0.880
Current(A)	7.5
Wire ϕ	1.30
Turns	86T

Current	DC-BIAS
0A	0.885
5A	0.621
10A	0.355
15A	0.218
20A	0.147



REACTOR

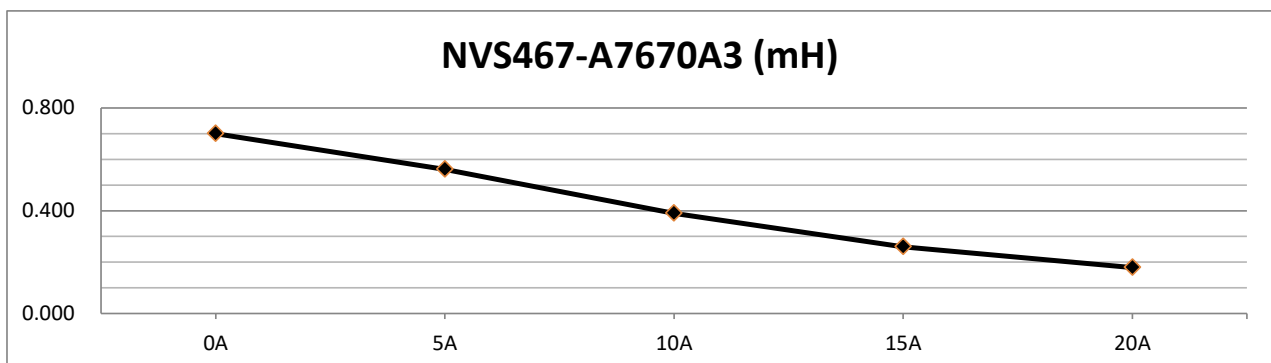
NVS467-A7670A3



STANDARD SPECIFICATIONS

Part No.	NVS467-A7670A3
Division	DC
Capacity	4KW
Form	Toroidal
L (mH)	0.670
Current(A)	17
Wire Φ	1.80
Turns	70T

Current	DC-BIAS
0A	0.700
5A	0.561
10A	0.390
15A	0.260
20A	0.179



REACTOR

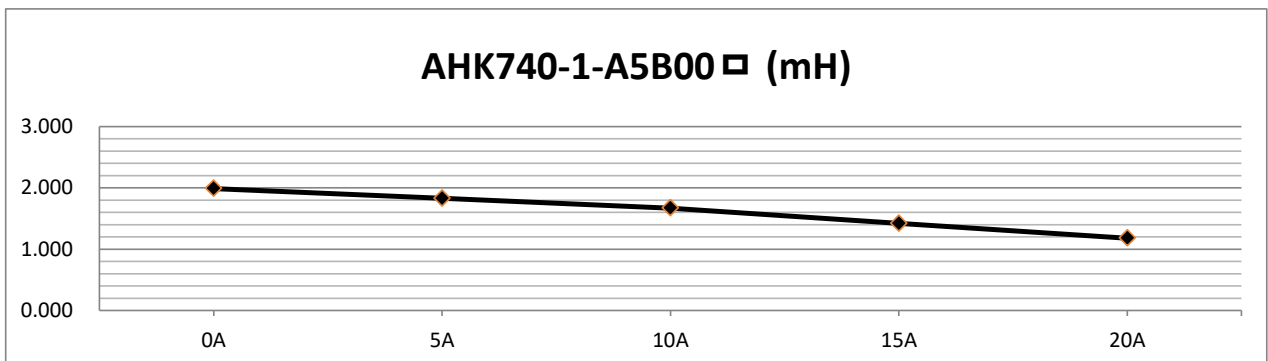
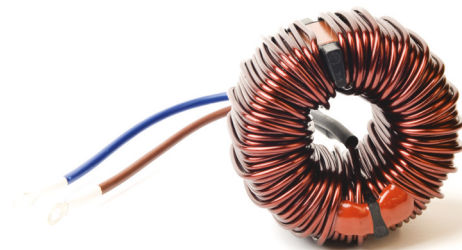
AHK740-1-A5B00 □



STANDARD SPECIFICATIONS

Part No.	AHK740-1-A5B00 □
Division	DC
Capacity	3KW
Form	Toroidal
L (mH)	2.000
Current(A)	15
Wire Φ	2.50
Turns	98T

Current	DC-BIAS
0A	1.990
5A	1.830
10A	1.670
15A	1.420
20A	1.180



REACTOR

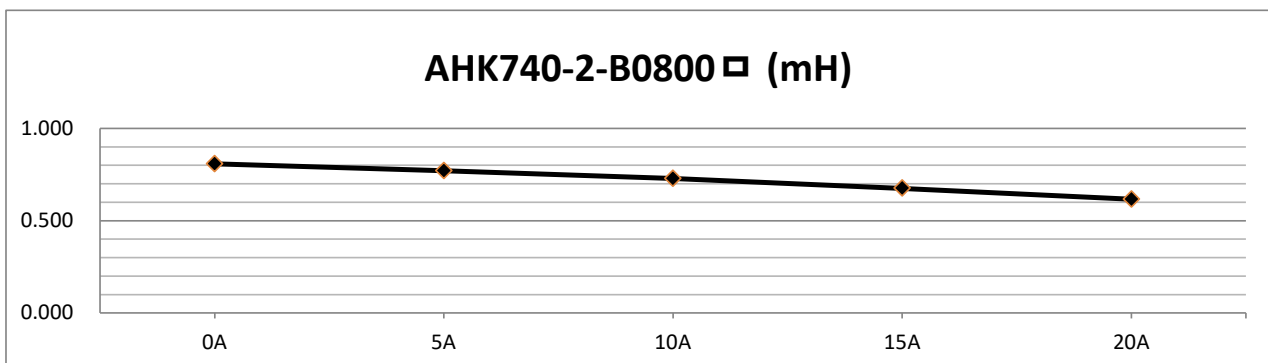
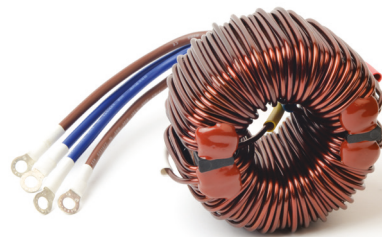
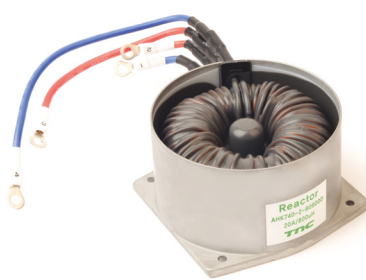
AHK740-2-B0800□



STANDARD SPECIFICATIONS

Part No.	AHK740-2-B0800□
Division	AC
Capacity	3KW
Form	Toroidal
L (mH)	0.800
Current(A)	20
Wire ϕ	2.30
Turns	59T

Current	DC-BIAS
0A	0.808
5A	0.770
10A	0.728
15A	0.675
20A	0.616





TNC

www.TNCLTD.com

Korea head office	304-29 Asan Valley, Dunpo-myeon, Asan-si, Chungcheongnam-do, Korea T. +82-41-530-9600
Korea southern sales office	233 Gyedong-ro, Gimhae-si, Gyeongsangnam-do, Korea T. +82-41-530-9676
Shandong TNC(China)	Guandi Village economy develop zone, Junan-country Lini city, Shandong, China T. +86-539-723-6759
Thailand TNC	105/18 Moo3 Bangna Trad Rd Km52, Thakham Bangpakong Chachoengsao 24130, Thailand T.+66-38-573-7157
Thailand factory	Chonburi / Maesot / Sangkhlaburi
